

FIBER TYPE	CABLE JACKET COLORS	MAX. INSERTION LOSS (db)	MIN. RETURN LOSS (db)	COMMENTS
5MM	50/125	ORANGE	0.65	25
6MM	62.5/125	ORANGE	0.65	25
-SM	SINGLE MODE	YELLOW	0.40	55
5L	50/125 10GIG	AQUA OR ORANGE	0.25 (H2)	SUPPORT 300M DIST.
L	SM 10GIG	YELLOW	0.40	55
5V	50/125 10GIG	AQUA	0.25	30 SUPPORT 550M DIST.

REV.	ECO NO.	REVISIONS	BY	DATE	APVD.
F	751	F1: ADDED NOTE 9	TM	7/27/05	DRH 08/02/05
G	1510	G1: REMOVED "-MM" OPTIONS G2: CHANGED 6MM CABLE JACKET COLOR FROM "GRAY" TO "ORANGE" G3: ADDED NOTE 10	JF	7/18/07	DG 10/04/07
H	2031	H1: ADDED COMMENTS COLUMN. H2: WAS 0.50, IS 0.25 H3: ADDED 5V FIBER. H4: UPDATED LABEL REQUIREMENT. H5: DELETED OLD NOTE 10, ADDED NEW NOTE 10	LIU	11/18/08	GAVIN 11/18/08

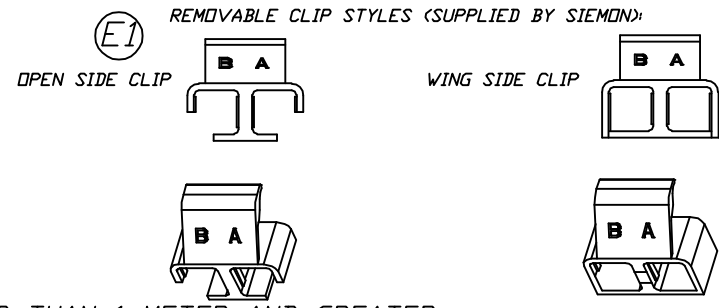
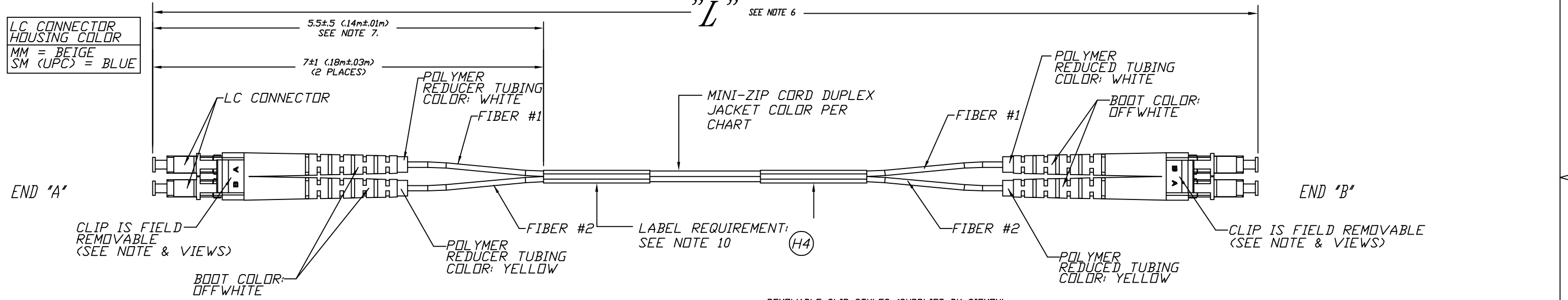
LEGEND:
 UPC - ULTRA PHYSICAL CONTACT
 MM - MULTIMODE
 SM - SINGLEMODE

TEST WAVELENGTH:
 850nm FOR MM
 1310nm FOR SM

END FACE GEOMETRY: COMPLIANT FOR LIGHTSYSTEM AND XGLD(10GIG) PRODUCTS.

SPECIFICATION TYPE	MIN.	MAX.
RADIUS OF CURVATURE (µm)	7 FOR MM 10 FOR SM	25
FIBER HEIGHT (µm)	TCORD*	-0.05
APEX OFFSET(OFFSET LINEAR (µm))	0	50

*PER TELCORDIA GR-326-CORE (R4-67)



FJ2-LC(X)LC(X)(XXX)-(XX)(AQ)

MODE/PERFORMANCE
 BLANK = MM
 U = ULTRA SM (UPC)

AQUA JACKET OPTION FOR 50/125, 10 GIG.

LENGTH (METERS)

FIBER TYPE
 BLANK = SM
 5MM = 50/125 MM
 6MM = 62.5/125 MM
 5L = 50/125 MM (10GIG)
 L = SM (10GIG)
 5V = 50/125 MM (10GIG)

10. DDC #1594 COMPLIANT
 9. CABLE COLOR COMPLIES WITH TIA-598.
 8. EITHER STYLE OF CLIP MAY BE USED BY THE SIEMON COMPANY.
 7. 1 LABEL FOR JUMPERS LESS THAN 1 METER.
 6. "L" +8"/-0" (.20m) GREATER THAN OR EQUAL TO 1 METER; +3"/-0" (.08m) LESS THAN 1 METER AND GREATER THAN .3 METER. THIS DRAWING IS NOT APPLICABLE FOR CABLE ASSEMBLIES LESS THAN .3 METERS.
 5. CONTACT A SIEMON CO. CUSTOMER SERVICE REPRESENTATIVE FOR ADDITIONAL INFORMATION.
 4. OPTICAL TEST PROCEDURES:
 * INSERTION LOSS: IN ACCORDANCE WITH TIA/EIA-455-171; METHOD D1 (MULTIMODE),
 * RETURN LOSS: IN ACCORDANCE WITH TIA/EIA-455-107, METHOD 1
 * TEST WAVELENGTH: 1300 nm (MULTIMODE); 1310 nm (SINGLEMODE)
 * LIGHT SOURCE: LED PER TIA/EIA-455-171, PARA. 3.1. FOR RETURN LOSS, LED OR LASER PER TIA/EIA-455-107, PARA. 3.1.
 3. "L" DIMENSION IS APPLICABLE TO JUMPER LENGTH FROM CONNECTOR FERRULE TIP-TO-CONNECTOR FERRULE TIP.
 2. ALL FIBER JUMPERS ARE MANUFACTURED FROM DFNR RISER GRADE CABLE THAT MEETS UL 1666.
- NOTES: 1. CONNECTORS: CERAMIC FERRULE, THERMOPLASTIC BODY.

PROPRIETARY INFORMATION
 THIS DOCUMENT CONTAINS PROPRIETARY INFORMATION OF THE SIEMON COMPANY AND IS DELIVERED ON THE EXPRESSED CONDITIONS THAT IT IS NOT TO BE DISCLOSED OR REPRODUCED IN WHOLE OR PART, OR USED FOR MANUFACTURING FOR ANYONE OTHER THAN THE SIEMON COMPANY WITHOUT ITS WRITTEN CONSENT AND THAT NO RIGHT IS GRANTED TO DISCLOSE OR SO USE ANY INFORMATION CONTAINED IN SAID DOCUMENT.

THE SIEMON COMPANY
 101 SIEMON COMPANY DRIVE
 WATERTOWN, CT 06795
 (860) 945-4200 www.siemon.com

TOLERANCES	DRAWN BY	DATE
.00 ±.02	ARK	01/22/02
.000 ±.010	CHECKED BY	DATE
.0000 —	KJS	01/25/02
ANGLES	ENGINEER	DATE
—	ARK	01/25/02

ANSI Y14.5M-1982 OR ISO 1101, 129 & 3040
 DIMENSIONS IN SQUARE BRACKETS ARE [mm], ALL OTHER DIMENSIONS ARE INCHES. DO NOT SCALE

TITLE
LIGHTSYSTEM/XGLD JUMPER, DUPLEX, MINI-ZIP LC TO LC

DWG. NO. **B-9076611**

PART NO. **FJ2-LC(X)LC(X)(XXX)-(XX)(AQ)** REV. **H**

SCALE **NOT TO SCALE** SHEET 1 OF 1

CUSTOMER USE DRAWING