

(K1) FIBER TYPE	CABLE JACKET JACKET	MAX. INSERTION LOSS (db)	MIN. RETURN LOSS (db)
5MM	50/125	ORANGE	.65
6MM	62.5/125	ORANGE	.65
-SM	SINGLE MODE	YELLOW	.40
5L	50/125 10GIG	AQUA OR DRANGE	.25 (L1)
L	SM 10GIG	YELLOW	.40

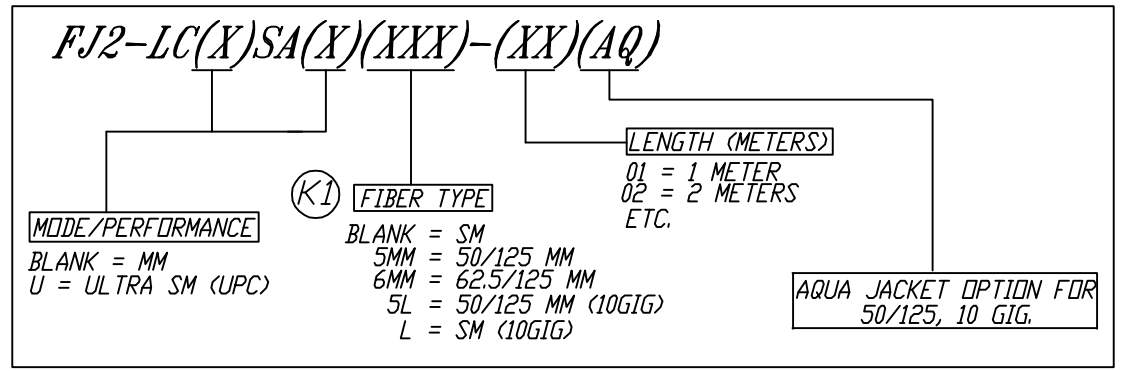
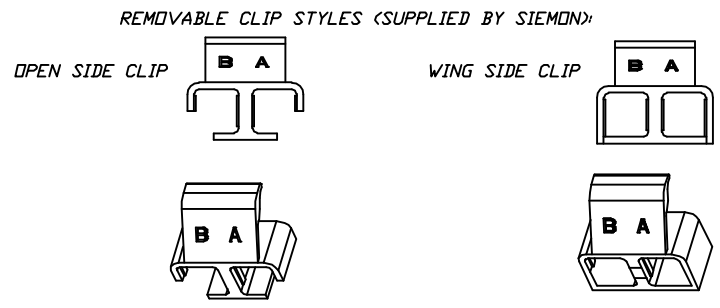
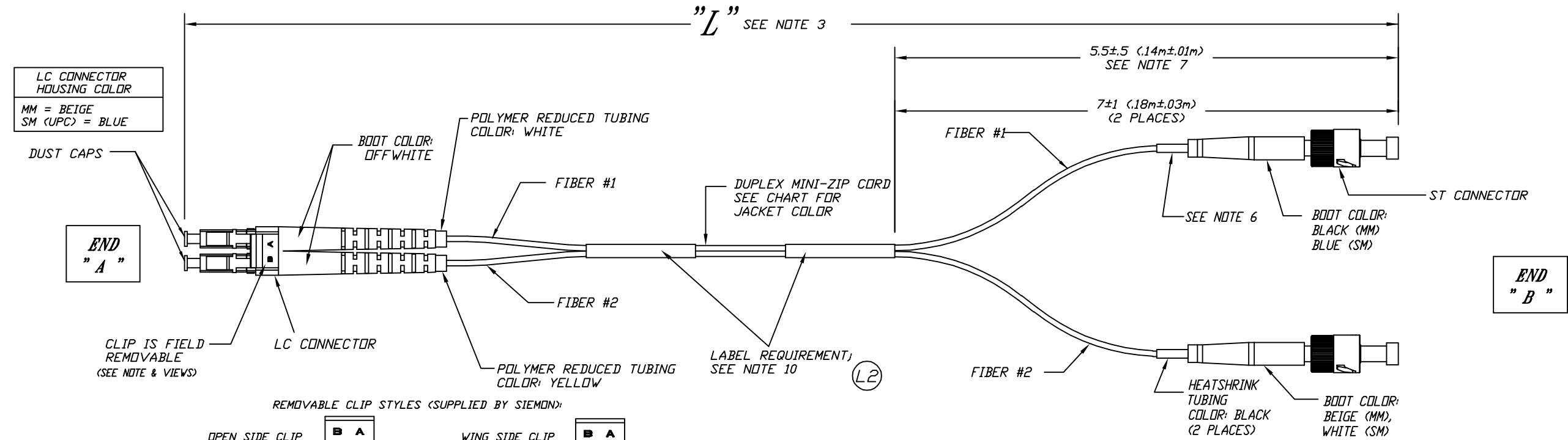
LEGEND:
 UPC - ULTRA PHYSICAL CONTACT
 MM - MULTIMODE
 SM - SINGLEMODE
TEST WAVELENGTH:
 850nm FOR MM
 1310nm FOR SM

END FACE GEOMETRY: COMPLIANT FOR LIGHTSYSTEM AND XGLO(10GIG) PRODUCTS.

SPECIFICATION TYPE	MIN.	MAX.
RADIUS OF CURVATURE (µm)	7 FOR MM 10 FOR SM	25
FIBER HEIGHT (µm)	TCORD*	-0.05
APEX OFFSET(OFFSET LINEAR (µm))	0	50

*PER TELCORDIA GR-326-CORE (R4-67)

REV.	ECO NO.	REVISIONS	BY	DATE	APVD.
J	751	J1: ADDED NOTE 9	TM	07/27/05	DRH 08/03/05
K	1510	K1: REMOVED "-MM" OPTIONS K2: CHANGED 6MM CABLE JACKET COLOR FROM "GRAY" TO "ORANGE" K3: ADDED NOTE 10	JF	07/18/07	DG 10/04/07
L	2031	L1: WAS .50, IS .25 L2: UPDATED LABEL REQUIREMENT. L3: DELETED OLD NOTE 10, ADDED NEW NOTE 10	LIU	11/18/08	GAVIN 11/18/08



- (L3) 10. DDC #1594 COMPLIANT
 (J1) 9. CABLE COLOR COMPLIES WITH TIA-598.
 8. EITHER SYTLE OF CLIP MAY BE USED BY THE SIEMON COMPANY.
 7. 1 LABEL FOR JUMPERS LESS THAN 1 METER.
 6. FOR ST CONNECTOR: NO HEATSHRINK TUBING IF 2mm Ø BOOT ARE USED.
 5. CONTACT A SIEMON CO. CUSTOMER SERVICE REPRESENTATIVE FOR ADDITIONAL INFORMATION.
 4. OPTICAL TEST PROCEDURES:
 * INSERTION LOSS: IN ACCORDANCE WITH TIA/EIA-455-171; METHOD D1 (MULTIMODE),
 * RETURN LOSS: IN ACCORDANCE WITH TIA/EIA-455-107, METHOD 1
 * TEST WAVELENGTH: 1300 nm (MULTIMODE); 1310 nm (SINGLEMODE)
 * LIGHT SOURCE: LED PER TIA/EIA-455-171, PARA. 3.1. FOR RETURN LOSS, LED OR LASER PER TIA/EIA-455-107, PARA. 3.1.
 3. "L" +8"/-0" (.20m) GREATER THAN OR EQUAL TO 1 METER; +3"/-0" (.08m) LESS THAN 1 METER AND GREATER THAN .3 METER. THIS DRAWING IS NOT APPLICABLE FOR CABLE ASSEMBLIES LESS THAN .3 METERS.
 2. ALL FIBER JUMPERS ARE MANUFACTURED FROM DFNR RISER GRADE CABLE THAT MEETS UL 1666.
 1. CONNECTORS: CERAMIC FERRULE, THERMOPLASTIC BODY;
- NOTES:

PROPRIETARY INFORMATION
 THIS DOCUMENT CONTAINS PROPRIETARY INFORMATION OF THE SIEMON COMPANY AND IS DELIVERED ON THE EXPRESSED CONDITIONS THAT IT IS NOT TO BE DISCLOSED OR REPRODUCED IN WHOLE OR PART, OR USED FOR MANUFACTURING FOR ANYONE OTHER THAN THE SIEMON COMPANY WITHOUT ITS WRITTEN CONSENT AND THAT NO RIGHT IS GRANTED TO DISCLOSE OR SO USE ANY INFORMATION CONTAINED IN SAID DOCUMENT.

THE SIEMON COMPANY
 101 SIEMON COMPANY DRIVE
 WATERTOWN, CT 06795
 (860) 945-4200 www.siemon.com

TOLERANCES	DRAWN BY	DATE
.00 ±.02	ARK	01/22/02
.000 ±.010	CHECKED BY	DATE
.0000 —	KJC	10/11/02
ANGLES	ENGINEER	DATE
—	ARK	01/22/02

ANSI Y14.5M-1982 OR ISO 1101, 129 & 3040
 DIMENSIONS IN SQUARE BRACKETS ARE [mm], ALL OTHER DIMENSIONS ARE INCHES. DO NOT SCALE

TITLE
LIGHTSYSTEM/XGLO JUMPER, DUPLEX MINI-ZIP CORD LC TO ST

DWG. NO.
B-9076612

PART NO.
FJ2-LC(X)SA(X)(XXX)-(XX)(AQ)

REV.
L

SCALE **NOT TO SCALE** SHEET 1 OF 1

CUSTOMER USE DRAWING