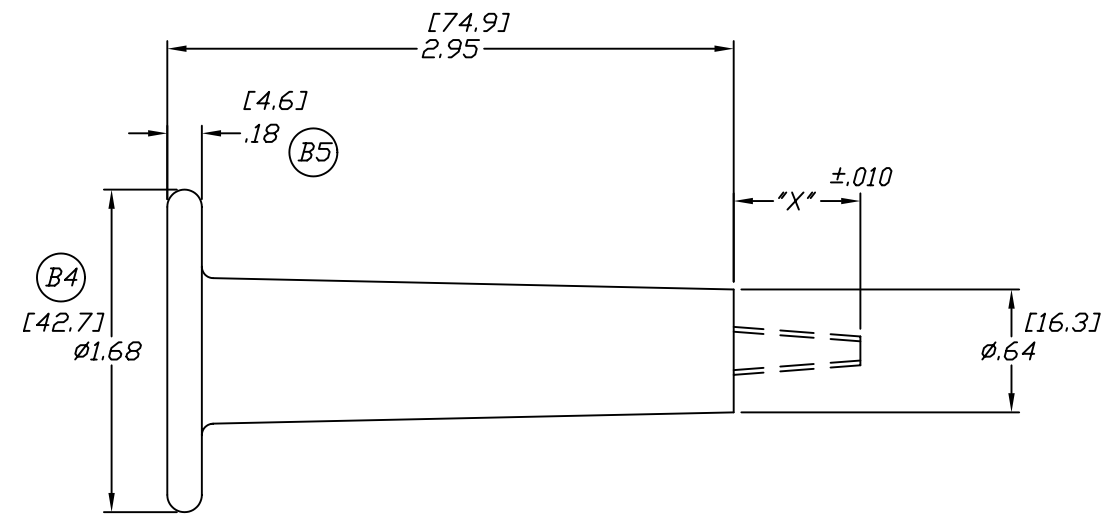
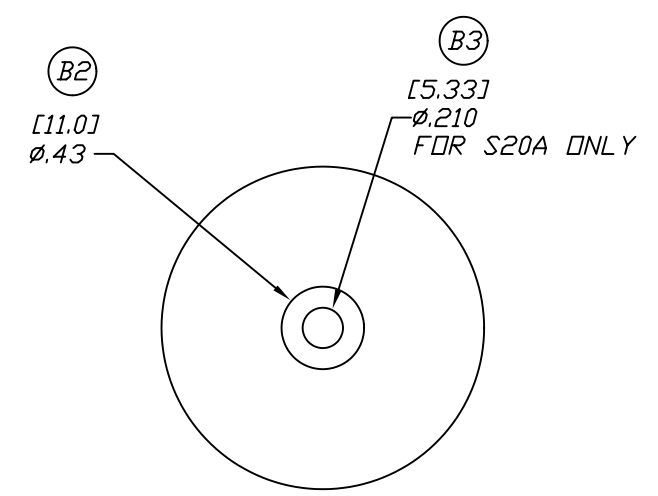


DWG. NO. **B-4028015** SH **1** REV. **C** **CUD**

REV.	SCN NO.	REVISIONS	BY	DATE	APVD.
A	902	NEW RELEASE	CDH	3/7/91	RJB 3/7/91
B	2495	REVISED NOTES AND DIMENSIONS	RJB	9/5/95	CDH/RJB 9/8/95
C	2602	C1: ADDED NOTE 3 (MAT'L)	CH	1/12/96	RCC 1/12/96



P/N	COLOR	SCREW TYPE	"X" DIMENSION
S20A	WHITE	NONE	N/A
S20B	WHITE	#10 X 13 WOOD	.66
S20C	BLACK	#12 X 24 MACHINE	.63

(C1) 3. MAT'L: THERMOPLASTIC.
(B1) 2. STANDARD PACK: 100 PIECES PER CARTON.
 NOTES: 1. METALLIC SCREWS ARE IMBEDDED IN END OF PLASTIC.

THE SIEMON COMPANY
 76 WESTBURY PARK ROAD
 WATERTOWN, CT 06795
 (860) 274-2523 www.siemon.com

PROPRIETARY INFORMATION
 THIS DOCUMENT CONTAINS PROPRIETARY INFORMATION OF THE SIEMON COMPANY AND IS DELIVERED ON THE EXPRESSED CONDITIONS THAT IT IS NOT TO BE DISCLOSED OR REPRODUCED IN WHOLE OR PART, OR USED FOR MANUFACTURING FOR ANYONE OTHER THAN THE SIEMON COMPANY WITHOUT ITS WRITTEN CONSENT AND THAT NO RIGHT IS GRANTED TO DISCLOSE OR SO USE ANY INFORMATION CONTAINED IN SAID DOCUMENT.

TOLERANCES	DRAWN BY	DATE
.00 ± .02	CHER	2/13/91
.000 ± .010	CHECKED BY	DATE
.0000 ± -	J. A. Siemon	3/7/91
ANGLES ± -	ENGINEER	DATE
	R. J. Below	3/7/91

ANSI Y14.5M-1982 OR ISO 1101, 129 & 3040

DIMENSIONS IN SQUARE BRACKETS ARE [mm], ALL OTHER DIMENSIONS ARE INCHES. DO NOT SCALE

TITLE

WIRE DISTRIBUTION SPOOL

DWG. NO. **B-4028015**

PART NO. **S20X** REV. **C**

SCALE **1:1** SHEET **1** OF **1**

DWG. NO. **B-4028015** SH **1** REV. **C**