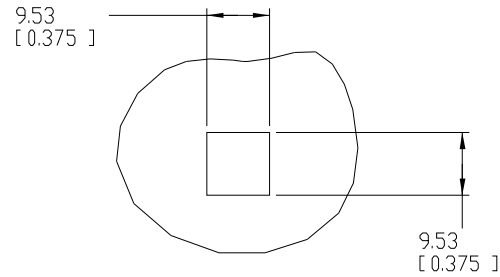


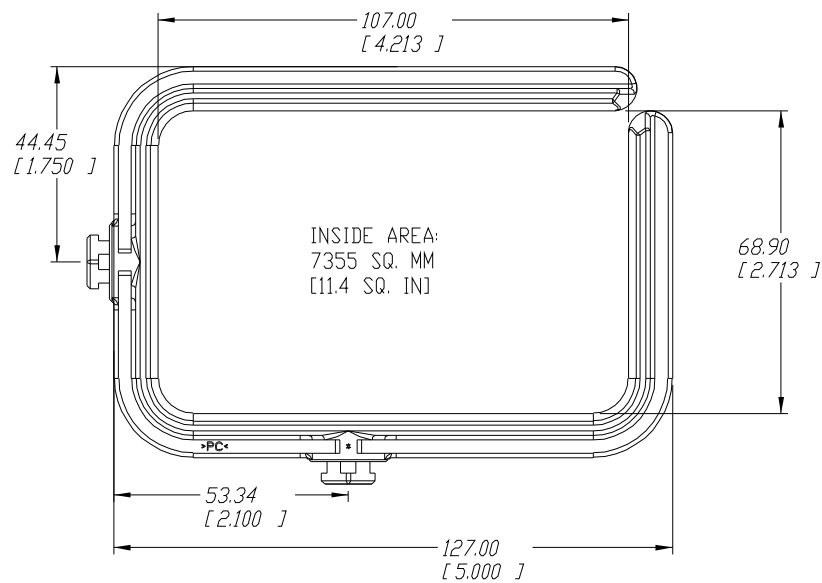
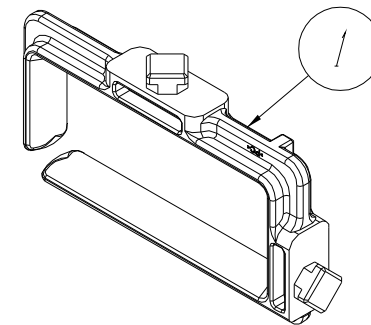
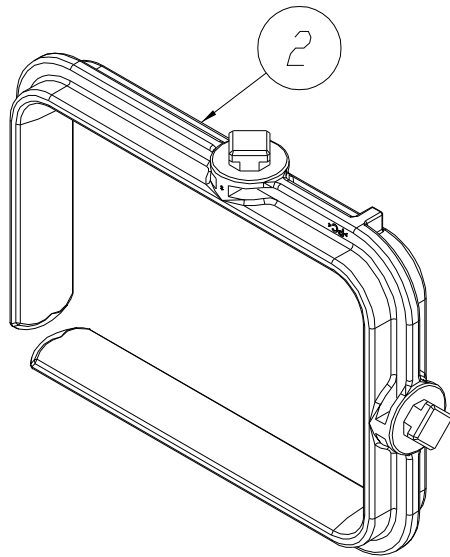
| ITEM NO. | DESCRIPTION | QTY. | |
|----------|-------------------------|------|----|
| 1 | 1/4 TURN D-RING (SMALL) | 10 | - |
| 2 | 1/4 TURN D-RING (LARGE) | - | 10 |
| - | CARTON (NOT SHOWN) | 1 | 1 |

VP-143
VP-145

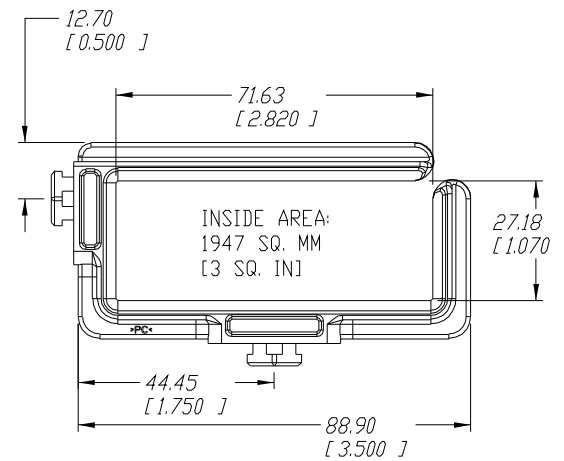
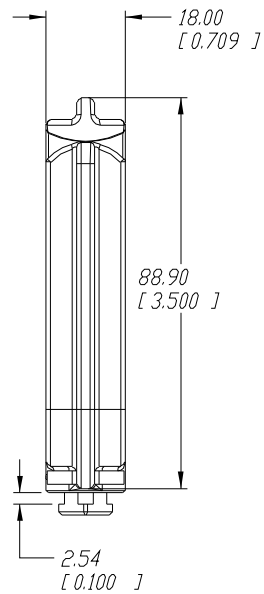
| REV. | ECD NO. | REVISIONS | BY | DATE | APVD. |
|------|---------|-------------|----|---------|-------|
| A | 2044 | NEW RELEASE | RC | 5/12/09 | |



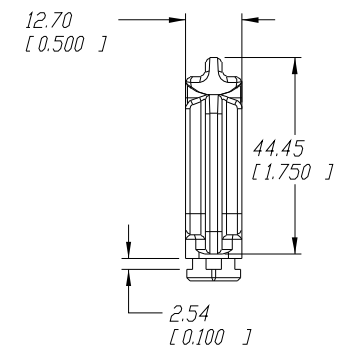
1/4 TURN FITS 9.53MM (0.375") SQUARE CUT OUT
MATERIAL RANGE: 1.52MM [0.060"] TO 2.54MM [0.100"]



LARGE VERSION
P/N VP-145



SMALL VERSION
P/N VP-143



| | | | | |
|---|--|----------------|--|-----------|
| <small>PROPRIETARY INFORMATION THIS DOCUMENT CONTAINS PROPRIETARY INFORMATION OF THE SIEMON COMPANY AND IS DELIVERED ON THE EXPRESSED CONDITIONS THAT IT IS NOT TO BE DISCLOSED OR REPRODUCED IN WHOLE OR PART, OR USED FOR MANUFACTURING FOR ANYONE OTHER THAN THE SIEMON COMPANY WITHOUT ITS WRITTEN CONSENT AND THAT NO RIGHT IS GRANTED TO DISCLOSE OR SO USE ANY INFORMATION CONTAINED IN SAID DOCUMENT.</small> | THE SIEMON COMPANY 101 SIEMON COMPANY DRIVE WATERTOWN, CT 06795 (860) 945-4200 www.siemon.com | | TITLE 1/4 TURN D-RING CABLE MANAGER | |
| | TOLERANCES 0 [0] ±1 [±0.04] 0.0 [0.00] ±0.5 [±0.02] 0.00 [0.000] ±0.25 [±0.01] ANGLE 1° | | DWG. NO. B-9028440 | |
| | DRAWN BY RICH CHASSE CHECKED BY ENGINEER RICH CHASSE | | DATE 5/12/09 DATE 5/12/09 | |
| | DIMENSIONS IN SQUARE BRACKETS ARE [in] ALL OTHER DIMENSIONS ARE MILLIMETERS. | | PART NO. VP-14(X) (SEE TABLE) | |
| DO NOT SCALE | | SCALE 2 : 3 | | REV. A |
| | | SHEET 1 OF 1 | | |

NOTES: 1. MATERIAL: POLYCARBONATE, COLOR: BLACK
2. CONTACT A SIEMON CO. CUSTOMER SERVICE REPRESENTATIVE FOR ADDITIONAL INFORMATION.

CUSTOMER USE DRAWING