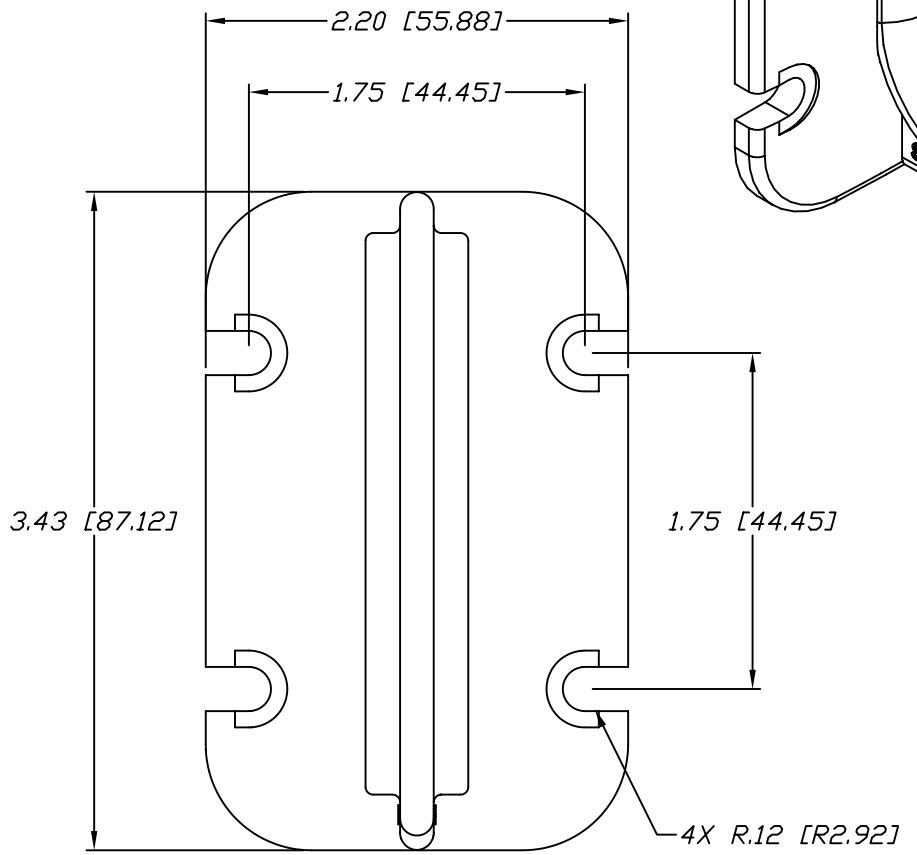
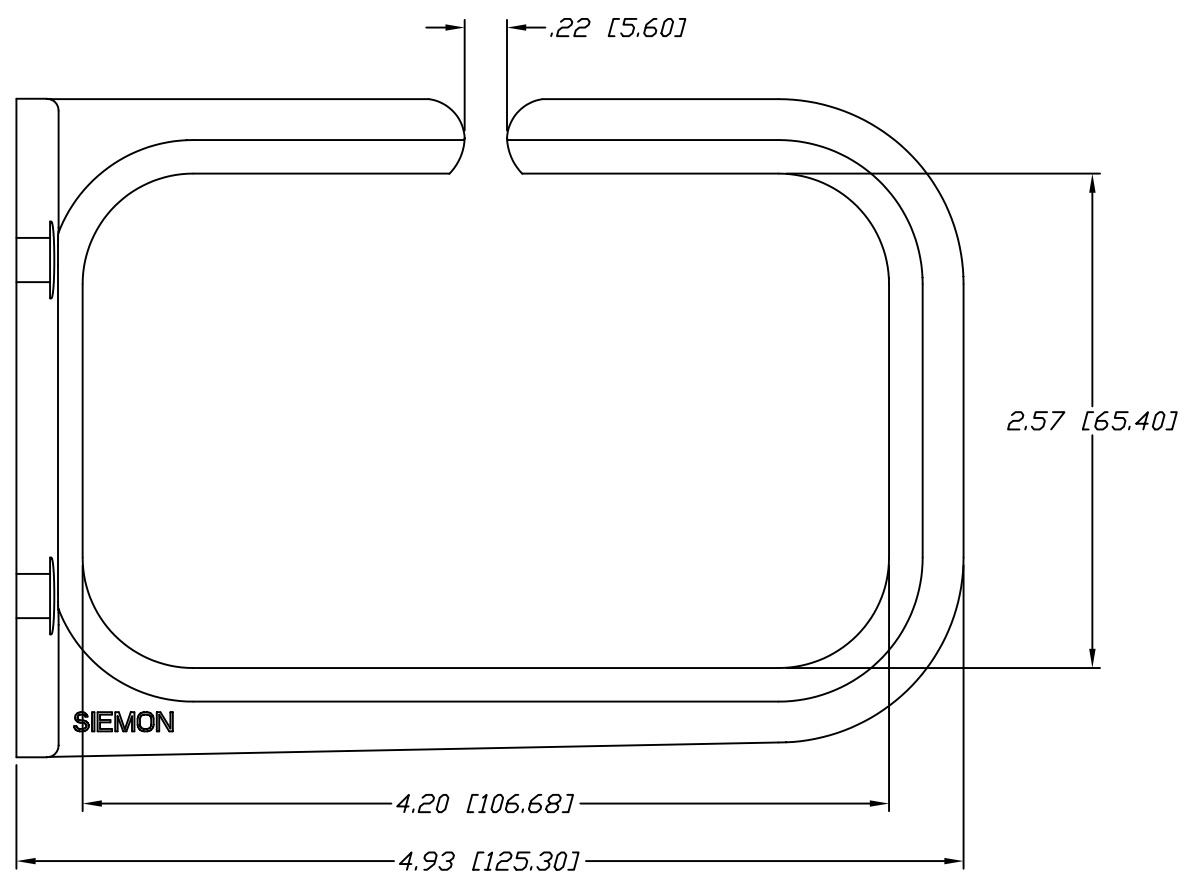
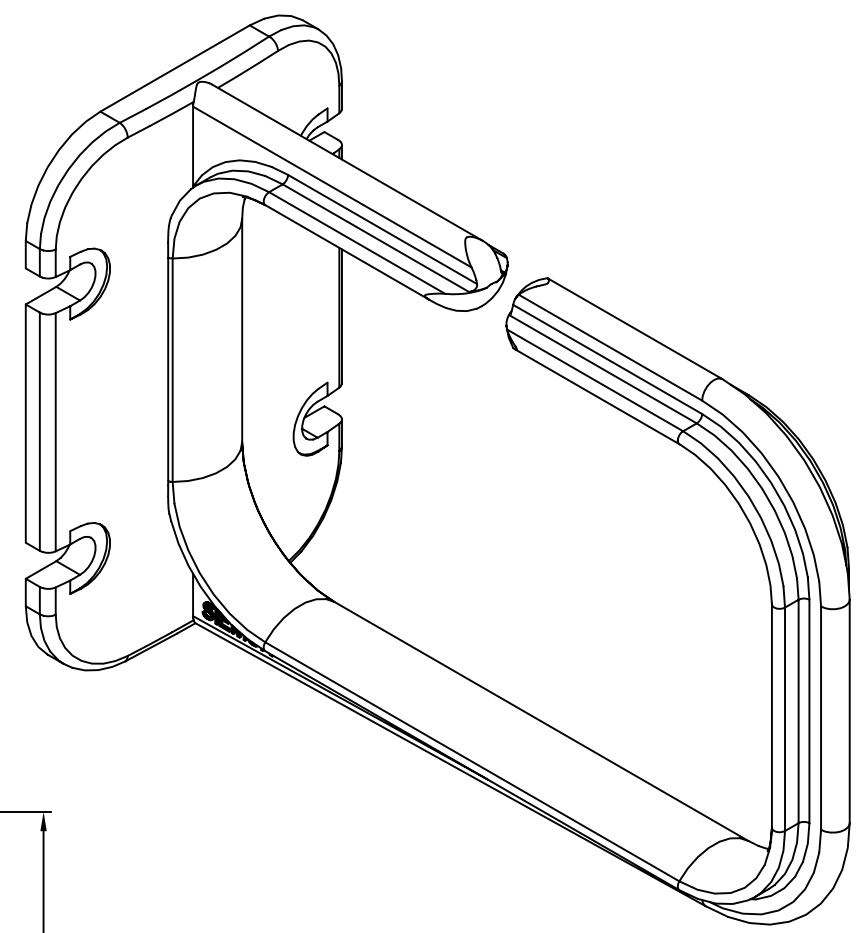
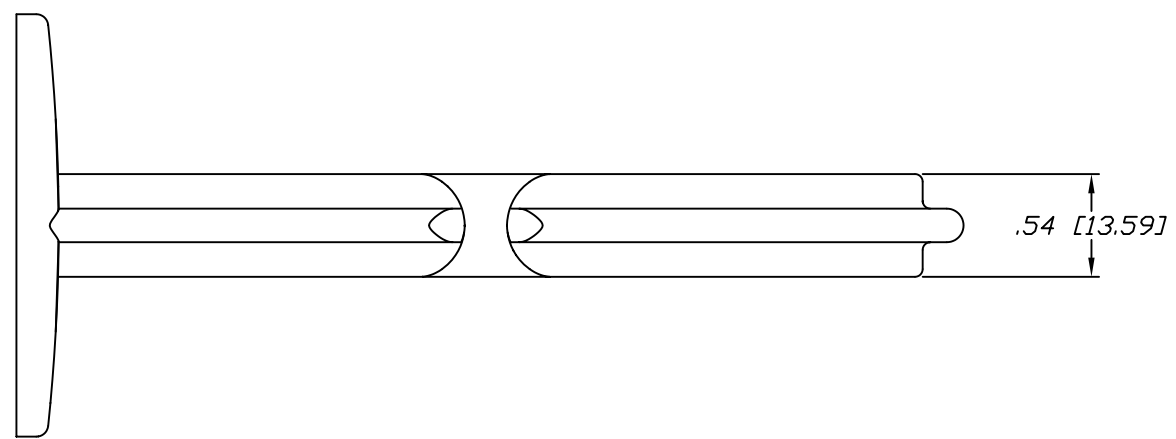


DWG. NO. **B-1028131** SH **1** REV. **A** **CUD**

REV.	SCN NO.	REVISIONS	BY	DATE	APVD.
A	3569	NEW RELEASE	EP	8/18/97	RJL 9/26/97



- NOTES:
- MATERIAL: POLYCARBONATE (UL94 V-0); COLOR: BLACK.
 - BULK PACK: 150 STANDARD PACK. 25 UNITS PER BAG, 6 BAGS PER CARTON.
 - CABLE HANGER CAPACITY: 150 4-PAIR UTP CABLES.

PROPRIETARY INFORMATION
 THIS DOCUMENT CONTAINS PROPRIETARY INFORMATION OF THE SIEMON COMPANY AND IS DELIVERED ON THE EXPRESSED CONDITIONS THAT IT IS NOT TO BE DISCLOSED OR REPRODUCED IN WHOLE OR PART, OR USED FOR MANUFACTURING FOR ANYONE OTHER THAN THE SIEMON COMPANY WITHOUT ITS WRITTEN CONSENT AND THAT NO RIGHT IS GRANTED TO DISCLOSE OR SO USE ANY INFORMATION CONTAINED IN SAID DOCUMENT.

THE SIEMON COMPANY
 76 WESTBURY PARK ROAD
 WATERTOWN, CT 06795
 (860) 274-2523 www.siemon.com

TOLERANCES

.00	± .02
.000	± .010
.0000	± -
ANGLES	± -

ANSI Y14.5M-1982 OR ISO 1101, 129 & 3040
 DIMENSIONS IN SQUARE BRACKETS ARE (mm), ALL OTHER DIMENSIONS ARE INCHES. DO NOT SCALE

DRAWN BY **EP** DATE **8/18/97**
 CHECKED BY **RJL** DATE **9/26/97**
 ENGINEER **RJL** DATE **9/26/97**

TITLE CABLE HANGER	
DWG. NO. B-1028131	SH 1
PART NO. S145	REV. A
SCALE 1 : 1	SHEET 1 OF 1