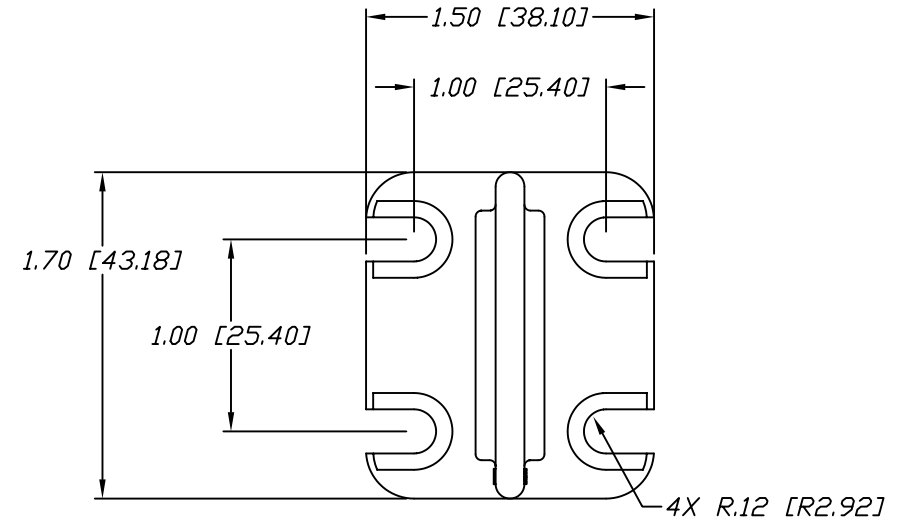
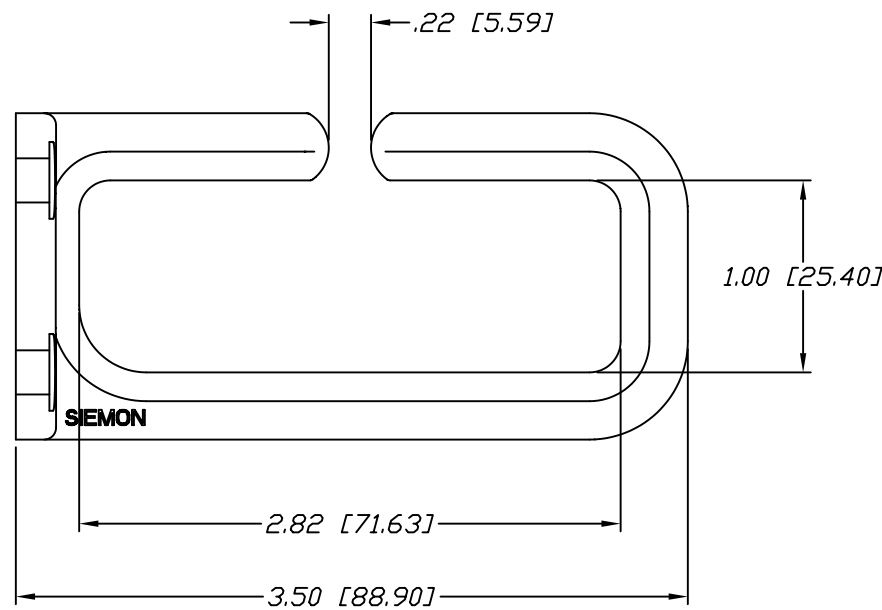
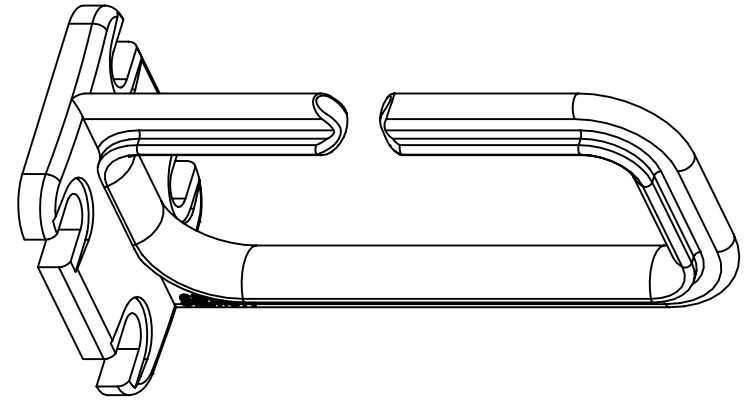
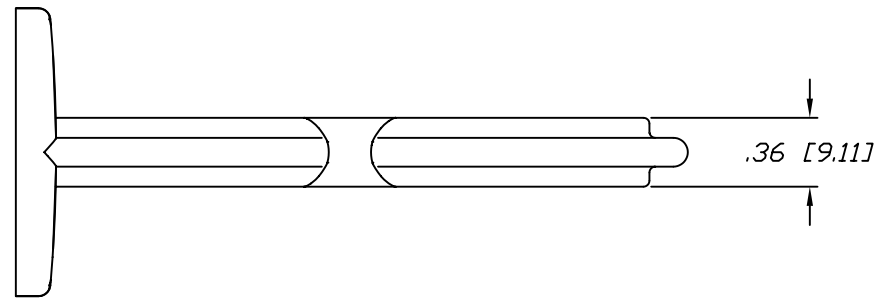


DWG. NO. **B-1028018** SH **1** REV. **D** **CUD**

REV.	SCN NO.	REVISIONS	BY	DATE	APVD.
B	1274	SEE SCN	CH	11/30/92	RTA 12/7/92
C	1717	SEE SCN	CH	4/13/94	RJB 4/13/94
D	3569	REDESIGNED FOR STRUCTURAL IMPROVEMENT AND AESTHETICS	EP	7/24/97	RJL 9/26/97



S143-X

BLANK = NO ADHESIVE TAPE
A = WITH ADHESIVE TAPE

- NOTES:
1. MAT'L: FLAME RETARDANT POLYCARBONATE (UL94 V-0); COLOR: BLACK.
 2. BULK PACK: 150 STANDARD PACK. 50 UNITS PER BAG, 3 BAGS PER CARTON.
 3. CABLE HANGER CAPACITY: 50 4-PAIR UTP CABLES.

<small>PROPRIETARY INFORMATION</small> <small>THIS DOCUMENT CONTAINS PROPRIETARY INFORMATION OF THE SIEMON COMPANY AND IS DELIVERED ON THE EXPRESSED CONDITIONS THAT IT IS NOT TO BE DISCLOSED OR REPRODUCED IN WHOLE OR PART, OR USED FOR MANUFACTURING FOR ANYONE OTHER THAN THE SIEMON COMPANY WITHOUT ITS WRITTEN CONSENT AND THAT NO RIGHT IS GRANTED TO DISCLOSE OR SO USE ANY INFORMATION CONTAINED IN SAID DOCUMENT.</small>	THE SIEMON COMPANY 76 WESTBURY PARK ROAD WATERTOWN, CT 06795 (860) 274-2523 www.siemon.com			TITLE		
	TOLERANCES .00 ± .02 .000 ± .010 .0000 ± - ANGLES ± 1°			DRAWN BY CEM	DATE 6/26/91	DWG. NO.
	ANSI Y14.5M-1982 OR ISO 1101, 129 & 3040 DIMENSIONS IN SQUARE BRACKETS ARE (mm), ALL OTHER DIMENSIONS ARE INCHES. DO NOT SCALE			CHECKED BY RJB	DATE 8/19/91	PART NO. S143-X
				ENGINEER CEM	DATE 8/19/91	REV. D
				SCALE	SHEET 1 OF 1	

DWG. NO. **B-1028018** SH **1** REV. **D**