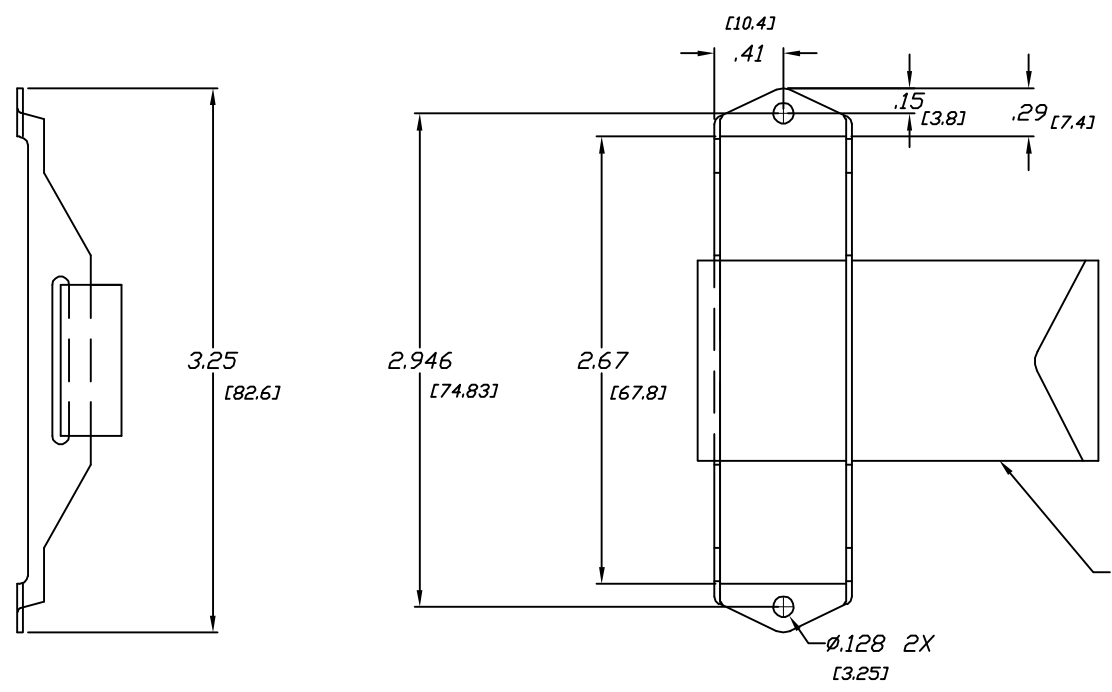
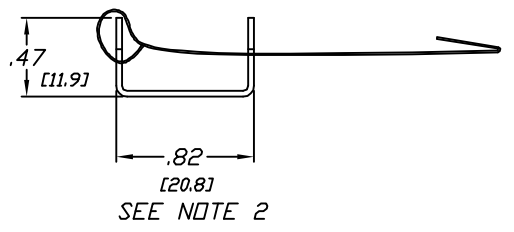


REV.	ECD NO.	REVISIONS	BY	DATE	APVD.
J	5072	J1: ADDED OPTION'S -001 & -008 J2: REVISED NOTE 1	KT	11/1/99	DL 3/27/00
K	7940	K1: ADDED NOTE 5; REM. P/N'S, -001 & -008 FROM P/N MATRIX AND MAT'L. NOTE 1 FOR BLACK OXIDE AND CHROMATE FINISH; K2: UPDATED SIEMON LOGO & TITLE BLOCK INFORMATION.	KJC	08/12/03	MY/KJS 09/25/03
L	669	L1: UPDATED TO YELLOW TRIVALENT CHROMATE FOR ROHS COMPLIANCE.	KJC	08/19/05	MY/SN 09/12/05



"VELCRO" STRAP 4.25±.125 LONG X 1" WIDE; HOOKS & FELT FACING UPWARDS



SUHAR-(XX)-(X)-(XXX)

- 1C = BLACK
- 2C = WHITE
- 3C = RED
- 4C = GREY
- 5C = YELLOW
- 6C = BLUE
- 7C = GREEN
- 8C = VIOLET
- 9C = ORANGE

- K = KIT
- B = BULK

(L1) -003 = (LOOP NOT INSERTED THRU SLOT ON RIGHT SIDE OF BRACKET)
(K1)

- (K1)
- CONTACT A SIEMON COMPANY CUSTOMER SERVICE REPRESENTATIVE FOR ADDITIONAL INFORMATION.
 - PACKAGING: KIT = INDIVIDUALLY BAGGED PARTS (NO MINIMUM ORDER); BULK = 800 UNBAGGED PARTS PER CARTON.
 - MINIMUM RECOMMENDED CONNECTOR PITCH IS 1.00" [25.4].
 - DIMENSION TAKEN AT BASE OF BRACKET.
 - MAT'L: .035" [1.89] C.R.S.; ZINC PLATED WITH YELLOW TRIVALENT CHROMATE. (L1) (K1)
 - HOOK MAT'L: LOW DENSITY POLYETHYLENE.
 - LOOP MAT'L: NYLON KNIT.

NOTES:

<small>PROPRIETARY INFORMATION</small> THIS DOCUMENT CONTAINS PROPRIETARY INFORMATION OF THE SIEMON COMPANY AND IS DELIVERED ON THE EXPRESSED CONDITIONS THAT IT IS NOT TO BE DISCLOSED OR REPRODUCED IN WHOLE OR PART, OR USED FOR MANUFACTURING FOR ANYONE OTHER THAN THE SIEMON COMPANY WITHOUT ITS WRITTEN CONSENT AND THAT NO RIGHT IS GRANTED TO DISCLOSE OR SO USE ANY INFORMATION CONTAINED IN SAID DOCUMENT.	THE SIEMON COMPANY 101 SIEMON COMPANY DRIVE WATERTOWN, CT 06795 (860) 945-4200 www.siemon.com		TITLE REVISED VELCRO HOLDOWN BRKT (1 STRAP)		
	TOLERANCES .00 ± .02 .000 ± .005 .0000 ± - ANGLES ± -	DRAWN BY CHER CHECKED BY B. REED ENGINEER J. SIEMON	DATE 2/28/86 3/3/86 2/28/86	DWG. NO. B-9010001	PART NO. SUHAR-(XX)-(X)-(XXX)
	ANSI Y14.5M-1982 OR ISO 1101, 129 & 3040 DIMENSIONS IN SQUARE BRACKETS ARE [mm], ALL OTHER DIMENSIONS ARE INCHES. DO NOT SCALE			SCALE 1 : 1	REV. L
	SHEET 1 OF 1			SHEET 1 OF 1	

DWG. NO. **B-9010001** SH **1** REV. **L**