

DWG. NO.

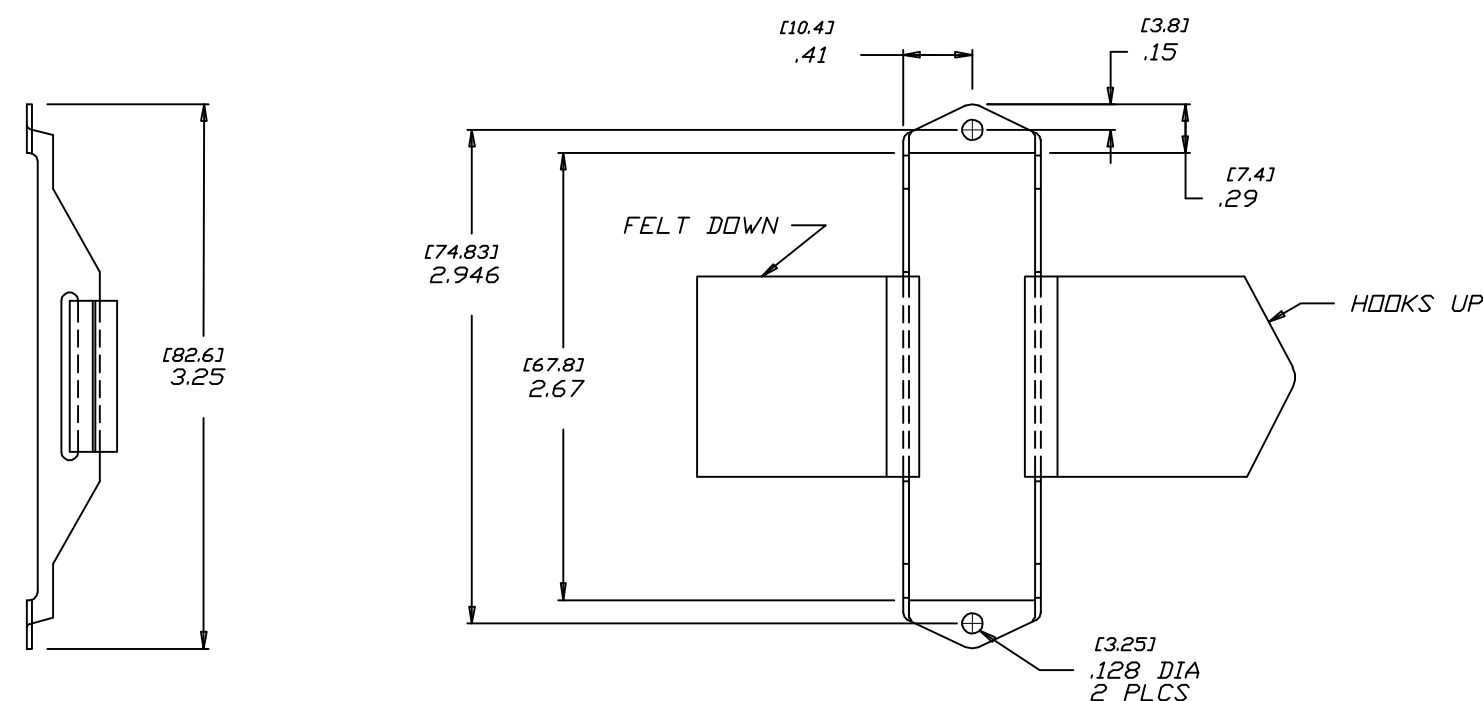
B-9010002 (G)

SH 1

REV. H

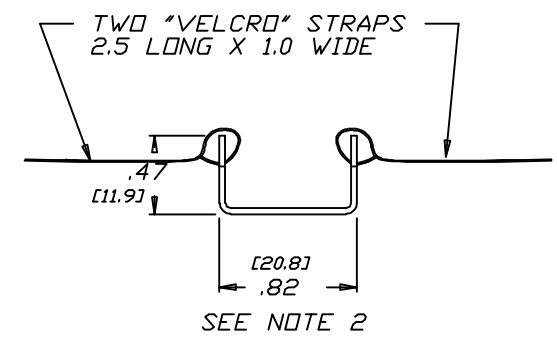
CUD

REV.	ECO NO.	REVISIONS	BY	DATE	APVD.
F	1204	SEE SCN	CH	7/27/92	JAS 7/29/92
G	2801	CHANGED R901002 TO B9010002	KG	5/9/96	KAG/RJB 5/9/96
H	669	H1: REV. NOTE 1 MAT'L. TO YELLOW TRIVALENT CHROMATE FOR R.O.H.S.; H2: UPDATED SIEMON LOGO & TITLE BLOCK, & ADDED (X) TO PART NUMBER OPTIONS.	KJC	9/07/05	MY/SN 9/12/05



SUHBR-(XX)-(X) (H2)

- 1C = BLACK
  - 2C = WHITE
  - 3C = RED
  - 4C = GREY
  - 5C = YELLOW
  - 6C = BLUE
  - 7C = GREEN
  - 8C = VIOLET
  - 9C = ORANGE
- K = KIT
  - B = BULK



- NOTES:
- PACKAGING: KIT - INDIVIDUALLY BAGGED PARTS (NO MINIMUM ORDER).  
BULK - 800 UNBAGGED PARTS PER CARTON.
  - MINIMUM RECOMMENDED CONNECTOR PITCH IS .90".
  - DIMENSION TAKEN AT BASE OF BRACKET.
  - (H1) 1. MAT'L: .035" C.R.S.; ZINC PLATED WITH YELLOW TRIVALENT CHROMATE FINISH.  
HOOK MAT'L.: LOW DENSITY POLYETHYLENE.  
LOOP MAT'L.: NYLON KNIT.

PROPRIETARY INFORMATION  
THIS DOCUMENT CONTAINS PROPRIETARY INFORMATION OF THE SIEMON COMPANY AND IS DELIVERED ON THE EXPRESSED CONDITIONS THAT IT IS NOT TO BE DISCLOSED OR REPRODUCED IN WHOLE OR PART, OR USED FOR MANUFACTURING FOR ANYONE OTHER THAN THE SIEMON COMPANY WITHOUT ITS WRITTEN CONSENT AND THAT NO RIGHT IS GRANTED TO DISCLOSE OR SO USE ANY INFORMATION CONTAINED IN SAID DOCUMENT.

**THE SIEMON COMPANY** (H2)  
101 SIEMON COMPANY DRIVE  
WATERTOWN, CT 06795  
(860) 945-4200 www.siemon.com

TOLERANCES	DRAWN BY	DATE
.00 ± .01	CHER	2/28/86
.000 ± .005	CHECKED BY	DATE
.0000 ± -	B. REED	3/7/86
ANGLES ± -	ENGINEER	DATE
	J. SIEMON	2/28/86

ANSI Y14.5M-1982 OR ISO 1101, 129 & 3040  
DIMENSIONS IN SQUARE BRACKETS ARE [mm], ALL OTHER DIMENSIONS ARE INCHES. DO NOT SCALE

TITLE  
**REVISED VELCRO  
HOLDOWN BRACKET  
(2 STRAP)**

DWG. NO.  
**B-9010002**

PART NO.  
**SUHBR-(XX)-(X)** REV. **H**

SCALE **1:1** SHEET **1** OF **1**

DWG. NO. B-9010002  
 SH 1  
 REV. H  
 (H2)