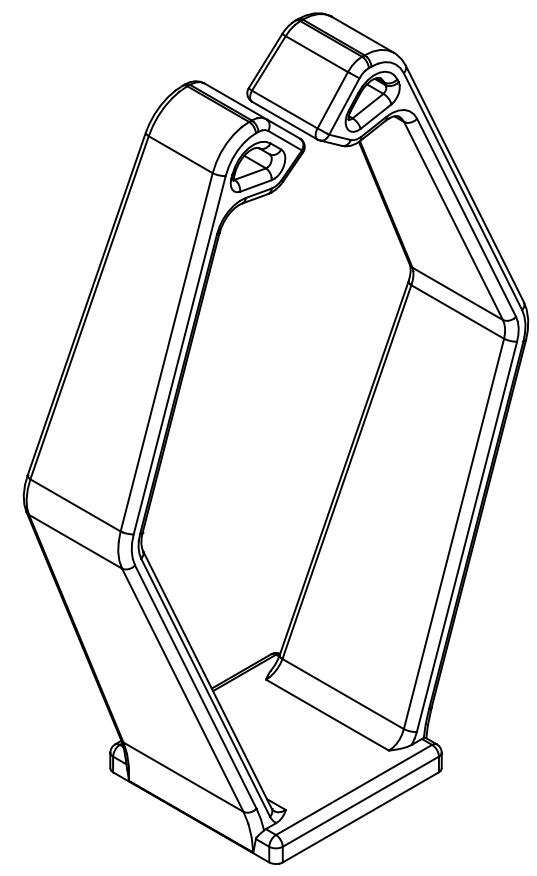
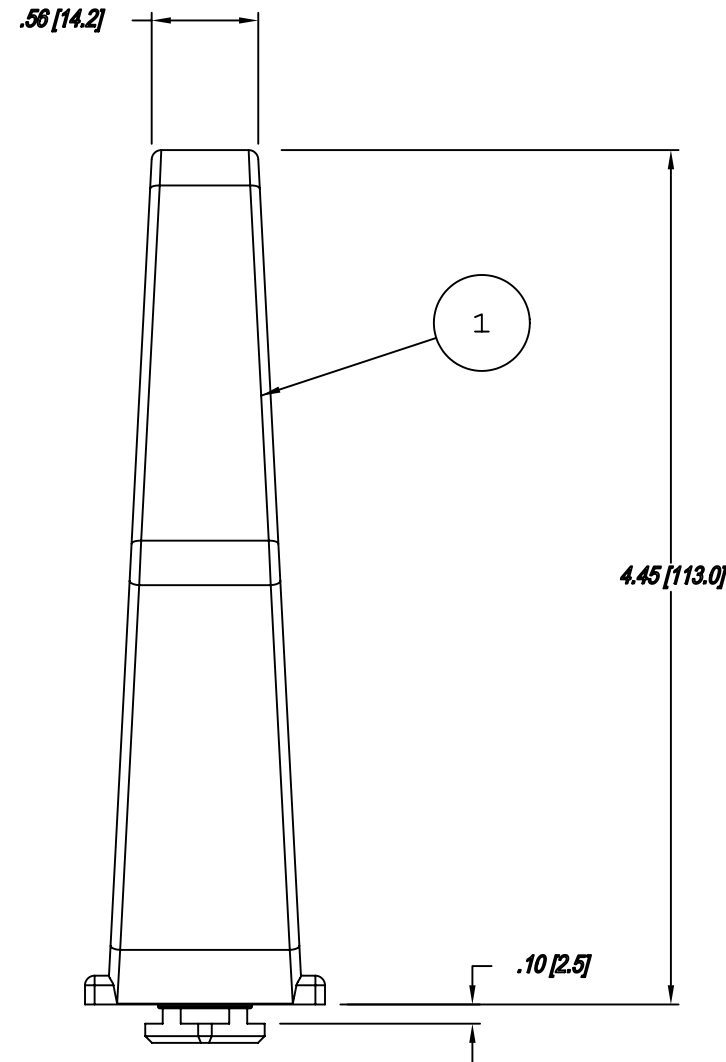
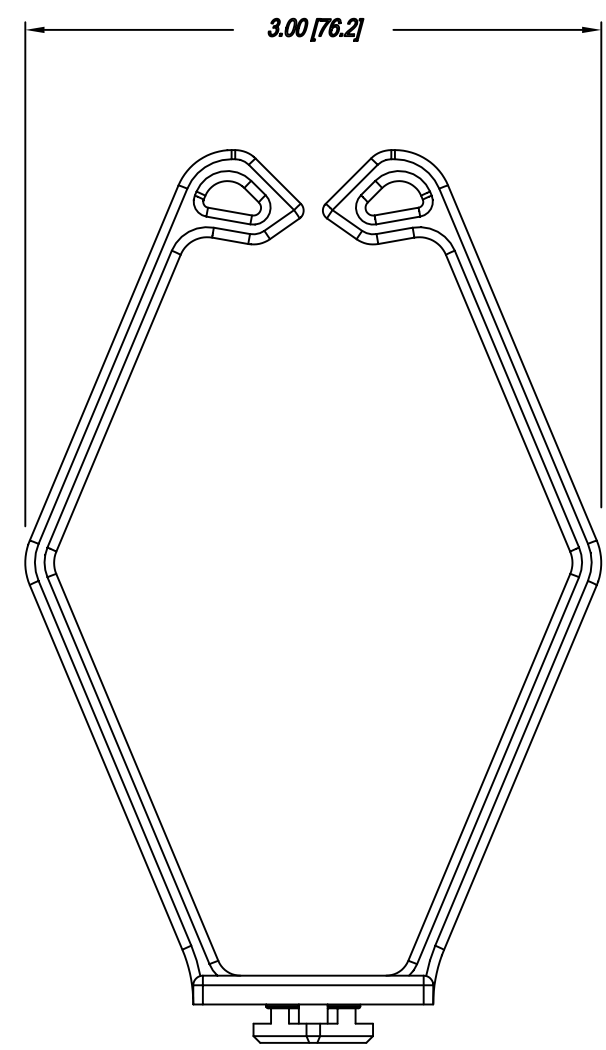


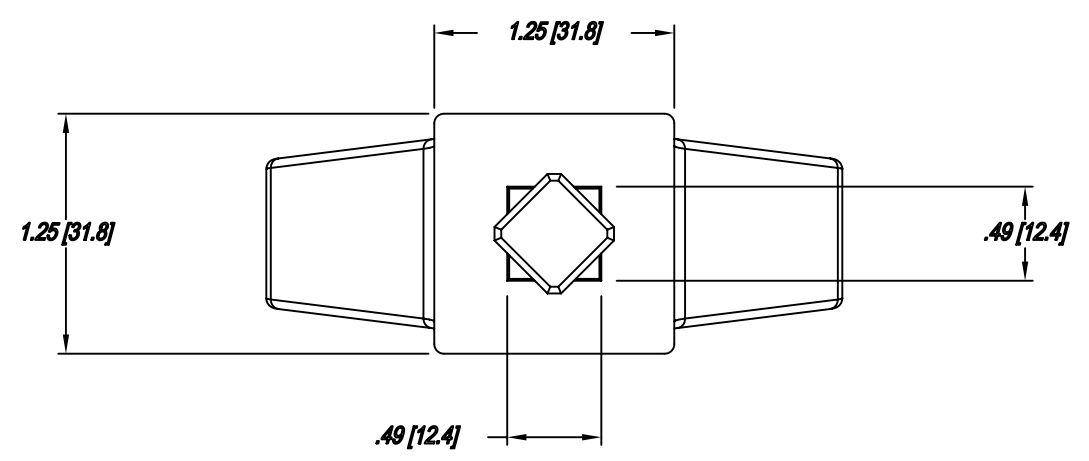
DWG. NO. **B-9028079** SH **1** REV. **B** **CUD**

ITEM #	DESCRIPTION	QTY
1	CABLE HANGER	10
-	CARTON(10 PER)	1

REV.	SCN NO.	REVISIONS	BY	DATE	APVD.
A	3028	NEW RELEASE	MCV	9/5/96	MCV 9/17/96
B	3626	UPDATE TITLE BLOCK	KJS	09/23/97	KJS/RJB 10/09/97



RS-CH



THE SIEMON COMPANY
 76 WESTBURY PARK ROAD
 WATERTOWN, CT 06795
 (860) 274-2523 www.siemon.com

PROPRIETARY INFORMATION
 THIS DOCUMENT CONTAINS PROPRIETARY INFORMATION OF THE SIEMON COMPANY AND IS DELIVERED ON THE EXPRESSED CONDITIONS THAT IT IS NOT TO BE DISCLOSED OR REPRODUCED IN WHOLE OR PART, OR USED FOR MANUFACTURING FOR ANYONE OTHER THAN THE SIEMON COMPANY WITHOUT ITS WRITTEN CONSENT AND THAT NO RIGHT IS GRANTED TO DISCLOSE OR SO USE ANY INFORMATION CONTAINED IN SAID DOCUMENT.

TOLERANCES	DRAWN BY	DATE
.00 ±.02	MCV	9/5/96
.000 ±.010	CHECKED BY	DATE
.0000 —	EJV	9/17/96
ANGLES	ENGINEER	DATE
1°	MCV	9/17/96

ANSI Y14.5M-1982 OR ISO 1101, 129 & 3040

DIMENSIONS IN SQUARE BRACKETS ARE (mm), ALL OTHER DIMENSIONS ARE INCHES. DO NOT SCALE

TITLE		CABLE HANGER FOR RS-07 RACK SYSTEM	
DWG. NO.		B-9028079	
PART NO.		RS-CH	REV. B
SCALE		1:1	SHEET 1 OF 1

2) CABLE HANGERS SNAP INTO .500"(12.7) SQUARE HOLE .100"(2.54) THICK

NOTES: 1) MATERIAL: BLACK NYLON

DWG. NO. B-9028079 SH 1 REV. B