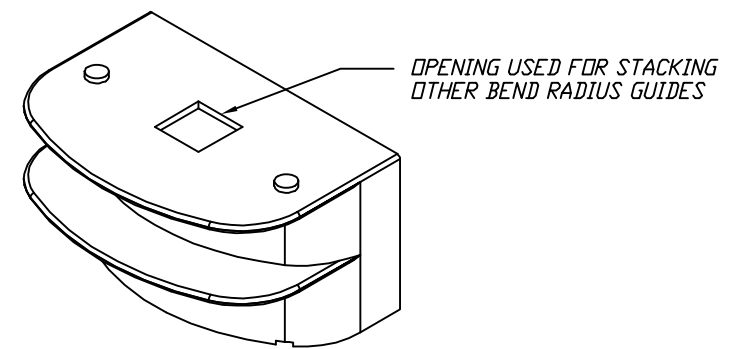
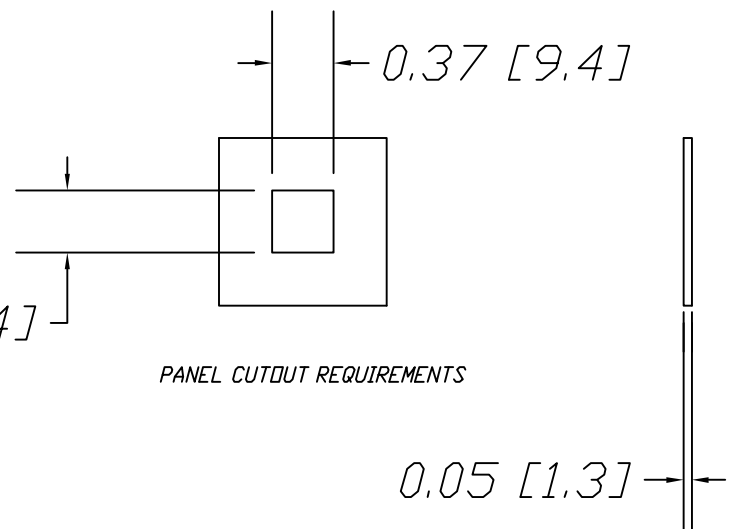
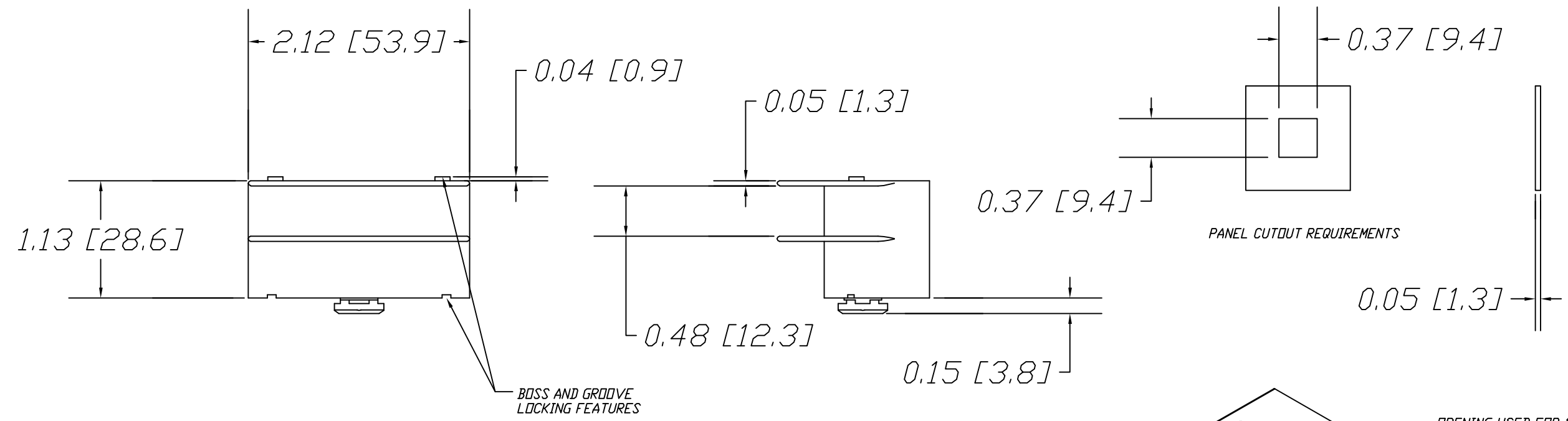


DWG. NO. **B-9076112** SH **1** REV **B** **CUD**

REV.	SCN NO.	REVISIONS	BY	DATE	APVD.
A	5111	NEW RELEASE	CEM	11/08/99	CEM 12/29/99
B	6802	B1; ADD P/N MATRIX FOR BLACK & WHITE P/N'S, B2; ADD NOTE 4 SEE SCN.	KJC	12/20/01	KJS/SF 02/12/02



**BRG2-(XX)B**  
 COLOR  
 01=BLACK  
 02=WHITE

0.35 [9.0]  
 SQUARE

- B2**
- STANDARD PACKAGE QUANTITY OF 50 PER BOX.
  - RECOMMENDED FOR USE WITH: RICS'S, SWIC'S, RB SERIES PRODUCTS.
  - MATERIAL: FLAME RETARDANT THERMOPLASTIC (COLOR: WHITE).
- NOTES: 1. CONTACT A SIEMON CO. CUSTOMER SERVICE REPRESENTATIVE FOR ADDITIONAL INFORMATION.

<small>PROPRIETARY INFORMATION          THIS DOCUMENT CONTAINS PROPRIETARY INFORMATION OF THE SIEMON COMPANY AND IS DELIVERED ON THE EXPRESSED CONDITIONS THAT IT IS NOT TO BE DISCLOSED OR REPRODUCED IN WHOLE OR PART, OR USED FOR MANUFACTURING FOR ANYONE OTHER THAN THE SIEMON COMPANY WITHOUT ITS WRITTEN CONSENT AND THAT NO RIGHT IS GRANTED TO DISCLOSE OR SO USE ANY INFORMATION CONTAINED IN SAID DOCUMENT.</small>	<b>THE SIEMON COMPANY</b> 76 WESTBURY PARK ROAD WATERTOWN, CT 06795 (860) 274-2523 www.siemon.com		<small>TITLE</small> <b>BEND RADIUS GUIDE II FOR FIBER ENCLOSURES</b>		
	<small>TOLERANCES</small> .00 ±.02 .000 ±.010 .0000 — ANGLES 1°	<small>DRAWN BY</small> CEM <small>CHECKED BY</small> T. SCANZ <small>ENGINEER</small> CEM	<small>DATE</small> 11/08/99 <small>DATE</small> 12/29/99 <small>DATE</small> 12/29/99	<small>DWG. NO.</small> B-9076112	<small>REV.</small> B
	<small>ANSI Y14.5M-1982 OR ISO 1101, 129 &amp; 3040</small>			<small>SCALE</small> 1:1	SHEET 1 OF 1
	<small>DIMENSIONS IN SQUARE BRACKETS ARE [mm], ALL OTHER DIMENSIONS ARE INCHES.</small>			DO NOT SCALE	

DWG. NO. **B-9076112**  
 SH **1**  
 REV **B**

CUSTOMER USE DRAWING