

ITEM NO.	DESCRIPTION	QTY
1	TERA 4 PAIR PLUG	2
2	FULLY SHIELDED CABLE, WHITE	(XX)
3	BOOT	2
-	LABEL	1

REV.	ECD NO.	REVISIONS	BY	DATE	APVD.
F	1132	F1: REV. P/N TO SHOW CROSSOVER OPTION; F2: ADD CROSSOVER WIRING SCHEME; F3: REV. CABLE LENGTH TO END OF CONNECTORS.	KJC	05/19/06	W.P./R.B. 07/31/06
G	1390	G1: REVISE CROSSOVER WIRING SCHEME G2: REVISE WIRING SCHEME	RCS	02/12/07	WP 2/12/07
H	498_2	H1: ADDED NOTE 7 H2: 'T4(X)-(XX)(M)-B(XX)(L)' WAS 'SEE TABLE'	JF	12/12/07	

END A	COLOR	END B
1	WHITE/BLUE	3
2	BLUE	6
3	WHITE/DRANGE	1
4	BROWN	7
5	WHITE/BROWN	8
6	DRANGE	2
7	WHITE/GREEN	4
8	GREEN	5

P/N	TERA
1	WHITE/BLUE
2	BLUE
3	WHITE/DRANGE
4	BROWN
5	WHITE/BROWN
6	DRANGE
7	WHITE/GREEN
8	GREEN

WIRE SCHEME PIN OUT
BLANK = STRAIGHT THROUGH
X = CROSSOVER

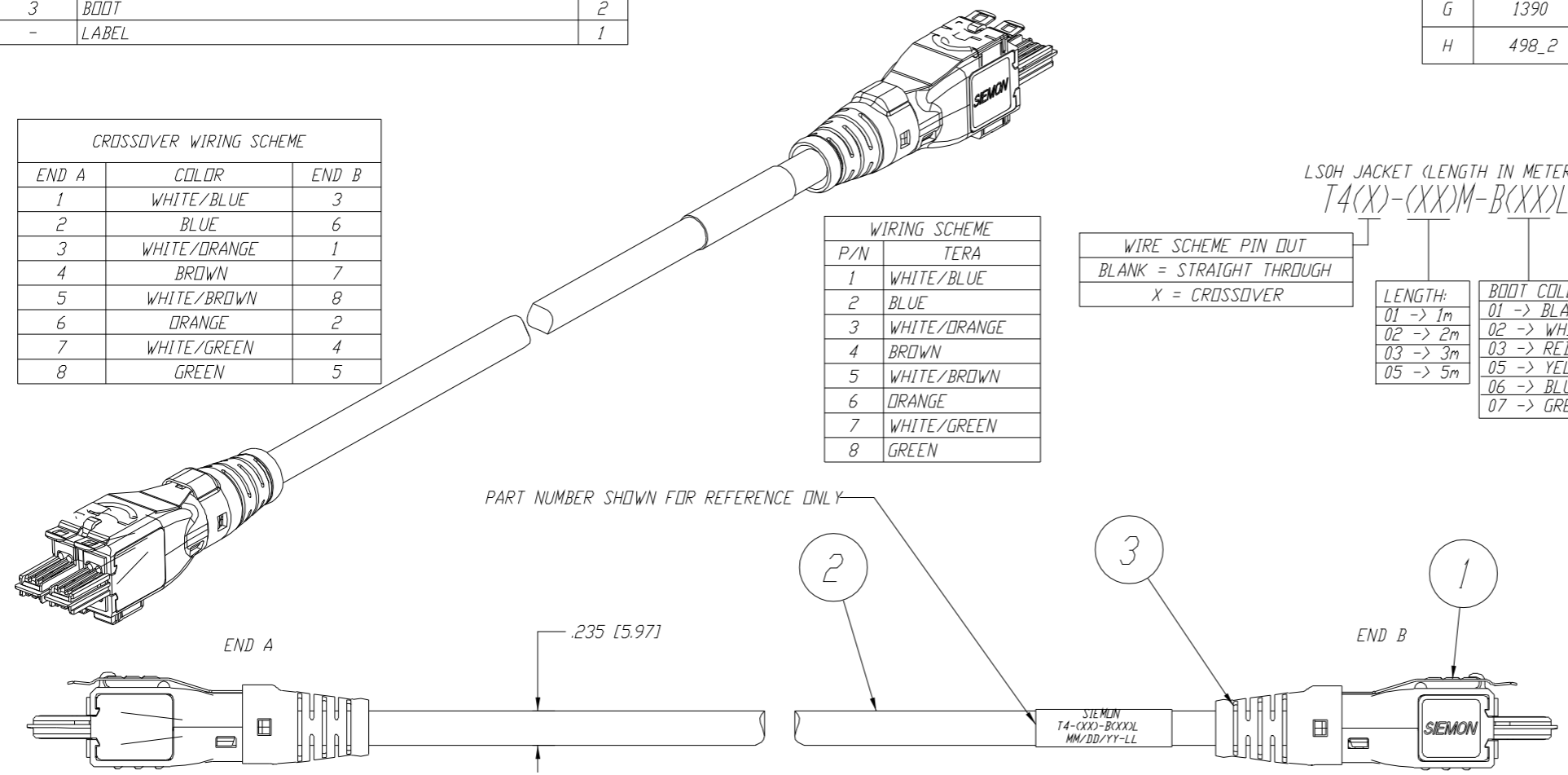
LENGTH:
01 -> 1m
02 -> 2m
03 -> 3m
05 -> 5m

BOOT COLOR
01 -> BLACK
02 -> WHITE
03 -> RED
05 -> YELLOW
06 -> BLUE
07 -> GREEN

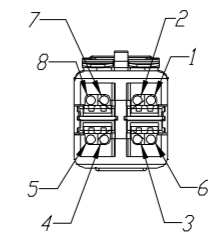
WIRE SCHEME PIN OUT
BLANK = STRAIGHT THROUGH
X = CROSSOVER

LENGTH:
03 -> 0.9m (3 FT)
05 -> 1.5m (5 FT)
07 -> 2.1m (7 FT)
10 -> 3.1m (10 FT)
15 -> 4.6m (15 FT)
20 -> 6.1m (20 FT)
25 -> 7.6m (25 FT)

BOOT COLOR
01 -> BLACK
02 -> WHITE
03 -> RED
05 -> YELLOW
06 -> BLUE
07 -> GREEN



PART NUMBER SHOWN FOR REFERENCE ONLY



- NOTES:
- CONTACT A SIEMON COMPANY SERVICE REPRESENTATIVE FOR ADDITIONAL INFORMATION.
 - MATING SURFACES OF PLUG CONTACTS HAVE PLATING SURFACES OF 3 MICROINCHES OF GOLD MIN. OVER 40 MICROINCHES MIN. OF NICKLE/PALLADUM.
 - CUSTOM LENGTHS AVAILABLE; CONTACT A SIEMON CUSTOMER SERVICE REPRESENTATIVE FOR MORE INFO.
 - PVC JACKETED PART NUMBERS ARE UL LISTED.
 - 100% TESTED FOR ELECTRICAL CONTINUITY
 - PLUG PINS CONNECTED 1 TO 1, 2 TO 2, 3 TO 3, ETC.
 - 4-PAIR CABLE, 26 AWG, FULLY SHIELDED, TWISTED PAIR, STRANDED CONDUCTORS
 - CABLE TRANSMISSION PROPERTIES SHALL BE COMPLIANT TO IEC 61156-6

PROPRIETARY INFORMATION
THIS DOCUMENT CONTAINS PROPRIETARY INFORMATION OF THE SIEMON COMPANY AND IS DELIVERED ON THE EXPRESSED CONDITIONS THAT IT IS NOT TO BE DISCLOSED OR REPRODUCED IN WHOLE OR PART, OR USED FOR MANUFACTURING FOR ANYONE OTHER THAN THE SIEMON COMPANY WITHOUT ITS WRITTEN CONSENT AND THAT NO RIGHT IS GRANTED TO DISCLOSE OR SO USE ANY INFORMATION CONTAINED IN SAID DOCUMENT.

THE SIEMON COMPANY
101 SIEMON COMPANY DRIVE
WATERTOWN, CT 06795
(860) 945-4200 www.siemon.com

SIEMON™

TOLERANCES	DRAWN BY	DATE
.00 ±.02	JDA	12/7/99
.000 ±.010	CHECKED BY	DATE
.0000 -	M. YIP	1/17/00
ANGLES	ENGINEER	DATE
1°	JDA	12/21/99

ANSI Y14.5M-1982 OR ISO 1101, 129 & 3040
DIMENSIONS IN SQUARE BRACKETS ARE (mm), ALL OTHER DIMENSIONS ARE INCHES. DO NOT SCALE

TITLE
TERA 4 PAIR
PATCH CORDS
CATEGORY 7/CLASS F

DWG. NO.
B-9063065

PART NO.
T4(X)-(XX)(M)-B(XX)(L)

REV.
H

SCALE
1:1

SHEET 1 OF 1

DWG. NO. B-9063065 SH 1 REV. H

CUSTOMER USE DRAWING