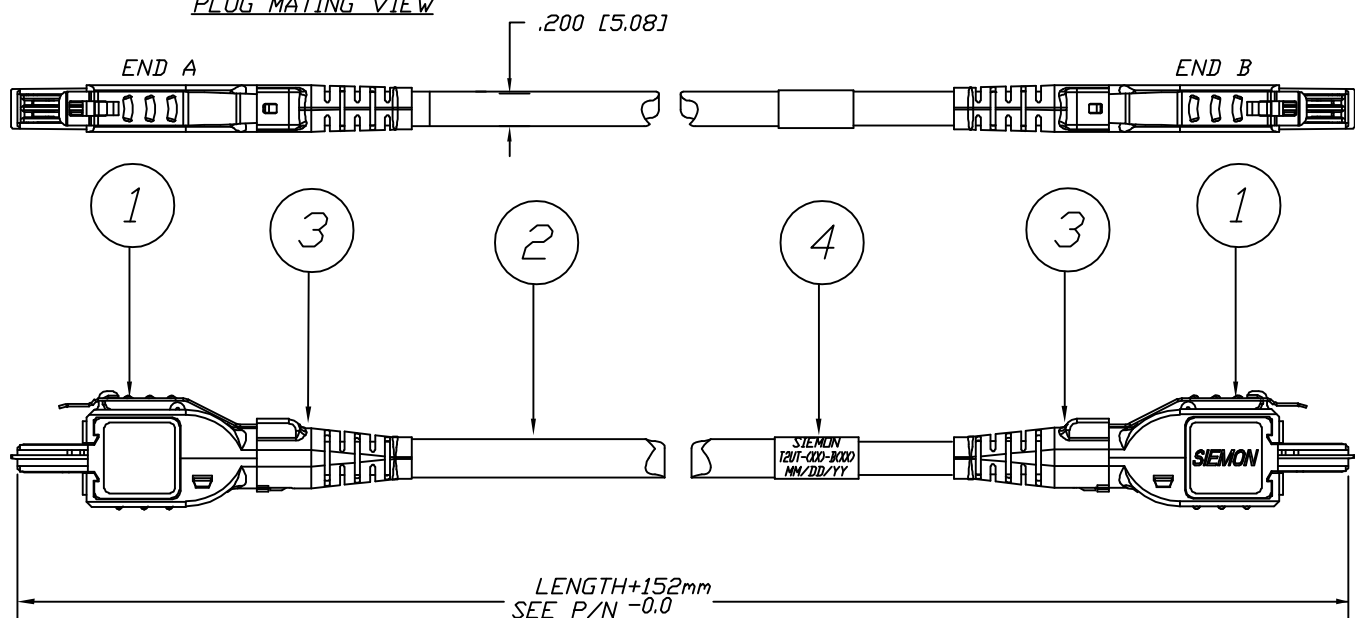
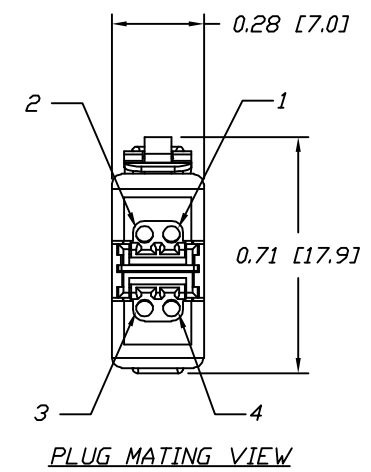


ITEM NO.	DESCRIPTION	QTY.
1	TERA 2 PAIR PLUG	2
2	SSTP CAT 7 CABLE	(XX)
3	BOOT	2
4	LABEL	1
-	POLY BAG	1

WIRING SCHEME	
PIN	TERA
1	WHITE BLUE
2	BLUE
3	WHITE ORANGE
4	ORANGE

REV.	ECD NO.	REVISIONS	BY	DATE	APVD.
C	466	C1: CHANGE SOLID(X) COLORS TO WHITE(X)	DRH	12/22/04	SN 03/09/05
D	1132	D1: REV. P/N TO SHOW CROSSOVER OPTION; D2: ADD CROSSOVER WIRING SCHEME; D3: REV. CABLE LENGTH TO END OF CONNECTORS.	KJC	05/17/06	DG/RB 07/31/06
E	498_2	C1: *T2(X)-(XX)(M)-B(XX)(L)* WAS *SEE CHART*	JF	12/12/07	

TERA-TO-TERA CROSSOVER WIRING SCHEME		
END A	COLOR	END B
1	WHITE/BLUE	3
2	BLUE	4
3	WHITE/ORANGE	1
4	ORANGE	2



WIRE SCHEME PIN OUT  
BLANK = STRAIGHT THROUGH  
'X' = CROSSOVER

PVC JACKET (LENGTH IN FEET):  
T2(X)-(XX)-B(XX)

NO.	LENGTH	
	FEET	METERS
03	3	0.9
05	5	1.5
07	7	2.1
10	10	3.1
15	15	4.6
20	20	6.1
25	25	7.6

NO.	BOOT COLOR
01	BLACK
02	WHITE
03	RED
05	YELLOW
06	BLUE
07	GREEN

WIRE SCHEME PIN OUT  
BLANK = STRAIGHT THROUGH  
'X' = CROSSOVER

LSOH JACKET (LENGTH IN METERS):  
T2(X)-(XX)(M)-B(XX)(L)

NO.	LENGTH (METERS)
01	1
02	2
03	3
05	5

NO.	BOOT COLOR
01	BLACK
02	WHITE
03	RED
05	YELLOW
06	BLUE
07	GREEN

6. CUSTOM LENGTHS AVAILABLE; CONTACT A SIEMON CUSTOMER SERVICE OR TECHNICAL SUPPORT REPRESENTATIVE FOR INFORMATION.  
 5. 100% TESTED FOR ELECTRICAL CONTINUITY & TRANSMISSION PERFORMANCE.  
 4. PLUG CONTACTS CONNECTED 1 TO 1, 2 TO 2, 3 TO 3, 4 TO 4.  
 3. PLUGS TERMINATED WITH WIRES AS SHOWN.  
 2. MATING SURFACES OF PLUG CONTACTS HAVE PLATING OF GOLD OR PALLADIUM NICKEL OVER NICKEL.  
 1. 2-PAIR CABLE: 26 AWG, TWISTED PAIR, STRANDED CONDUCTORS, SCREENED, CABLE JACKET COLOR: GREY. CABLE TRANSMISSION PROPERTIES ARE COMPLIANT TO ISD CATEGORY 7 REQUIREMENTS.

**THE SIEMON COMPANY**  
 101 SIEMON COMPANY DRIVE  
 WATERTOWN, CT 06795  
 (860) 945-4200 www.siemon.com

TOLERANCES	DRAWN BY	DATE
.00 ± .02	FRED ALKA	10/03/01
.000 ± .010	CHECKED BY	DATE
.0000 ± -	BOB SMITH	10/10/01
ANGLES ± -	ENGINEER	DATE
	BOB SMITH	10/03/01

ANSI Y14.5M-1982 OR ISO 1101, 129 & 3040  
 DIMENSIONS IN SQUARE BRACKETS ARE [mm], ALL OTHER DIMENSIONS ARE INCHES. DO NOT SCALE

TITLE  
**TERA 2-PAIR  
 PATCH CORD**

DWG. NO. **B-9063087**

PART NO. **T2(X)-(XX)(M)-B(XX)(L)** REV. **E**

SCALE **NTS** SHEET **1** OF **1**

DWG. NO. **B-9063087** SH **1** REV. **E**