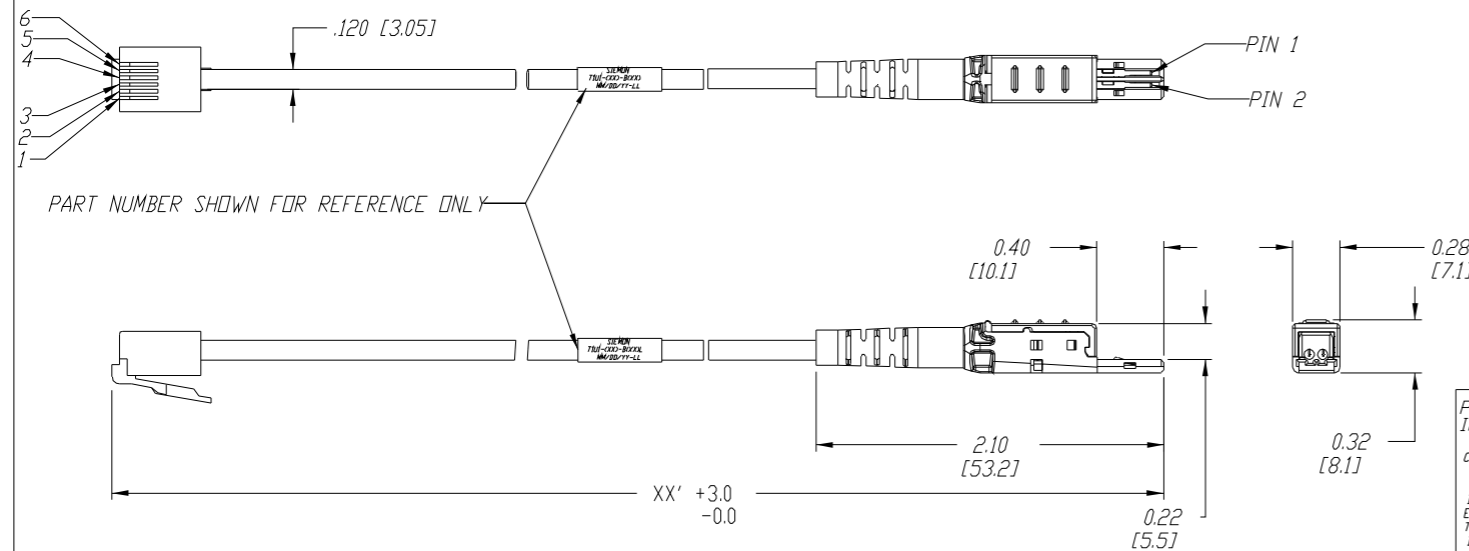
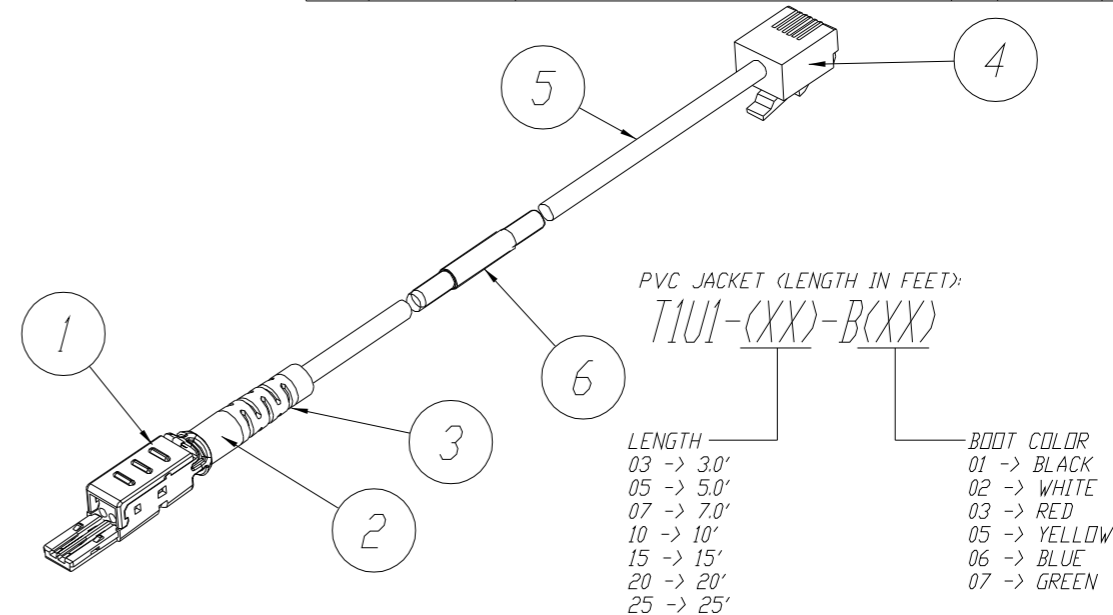


ITEM NO.	DESCRIPTION	QTY.
1	1-PAIR TERA PLUG BODY	1
2	STRAIN RELIEF CRIMP RING	1
3	1-PAIR UTP CABLE BOOT	1
4	6-POSITION PLUG	1
5	1-PAIR CABLE (24 AWG)	XX'
6	LABEL	1
-	POLYBAG	1

REV.	ECD NO.	REVISIONS	BY	DATE	APVD.
C	466	C1: NOTE 1-"STRANDED CONDUCTOR" WAS "STANDARD" C2: USED CLOSED TERA PLUG C3: ADDED DIMENSIONS	DRH	02/23/05	SN 03/09/05
D	1097	D1: UPDATE DRW VIEW OF CABLE LABEL TO SHOW COMPLETE P/N	KJC	04/20/06	S.N./DRH 04/20/06
E	498_2	E1: REVISED LENGTH TO END OF PLUGS E2: ADDED CABLE JACKET DIAMETER	JF	12/20/07	

WIRING SCHEME		
PIN # (6 POSITION MOD. PLUG)	CONDUCTOR COLOR	PIN # (TERA 1-PAIR PLUG)
1	-	-
2	-	-
3	BLUE	2
4	WHITE/BLUE	1
5	-	-
6	-	-



- NOTES:
- 1 - PAIR UTP CABLE, 24 AWG STRANDED CONDUCTOR, 7/32 BARE OR TINNED COPPER .024" NOMINAL DIAMETER. TIA CATEGORY 5e & ISO CATEGORY 5 TRANSMISSION COMPATIBILITY, EXTENDED TO 160MHZ.
 - 2 - PLUG PINS CONNECTED 3 TO 2, 4 TO 1
 - 3 - 100% TESTED FOR ELECTRICAL CONTINUITY.
 - 4 - CUSTOM LENGTHS AVAILABLE; CONTACT A SIEMON CUSTOMER SERVICE REPRESENTATIVE FOR MORE INFO.
 - 5 - PVC JACKETED VERSIONS ARE UL LISTED.

PROPRIETARY INFORMATION
THIS DOCUMENT CONTAINS PROPRIETARY INFORMATION OF THE SIEMON COMPANY AND IS DELIVERED ON THE EXPRESSED CONDITIONS THAT IT IS NOT TO BE DISCLOSED OR REPRODUCED IN WHOLE OR PART, OR USED FOR MANUFACTURING FOR ANYONE OTHER THAN THE SIEMON COMPANY WITHOUT ITS WRITTEN CONSENT AND THAT NO RIGHT IS GRANTED TO DISCLOSE OR SO USE ANY INFORMATION CONTAINED IN SAID DOCUMENT.

THE SIEMON COMPANY
101 SIEMON COMPANY DRIVE
WATERTOWN, CT 06795
(860) 945-4200 www.siemon.com

TOLERANCES

.00	±.02
.000	±.010
.0000	-
ANGLE	1°

DRAWN BY **FRED ALKA** DATE **09/25/01**
CHECKED BY **BOB SMITH** DATE **09/25/01**
ENGINEER **BOB SMITH** DATE **09/25/01**

ANSI Y14.5M-1982 OR ISO 1101, 129 & 3040
DIMENSIONS IN SQUARE BRACKETS ARE (MM), ALL OTHER DIMENSIONS ARE INCHES. **DO NOT SCALE**

TITLE
TERA 1-PAIR PLUG TO 6-POSITION MOD. PLUG
USOC, PATCHCORD

DWG. NO. **B-9063107**

PART NO. **T1U1-(XX)(M)-B(XX)(L)** REV. **E**

SCALE **1:1** SHEET **1 OF 1**

CUSTOMER USE DRAWING

DWG. NO. **B-9063107** SH **1** REV. **E**