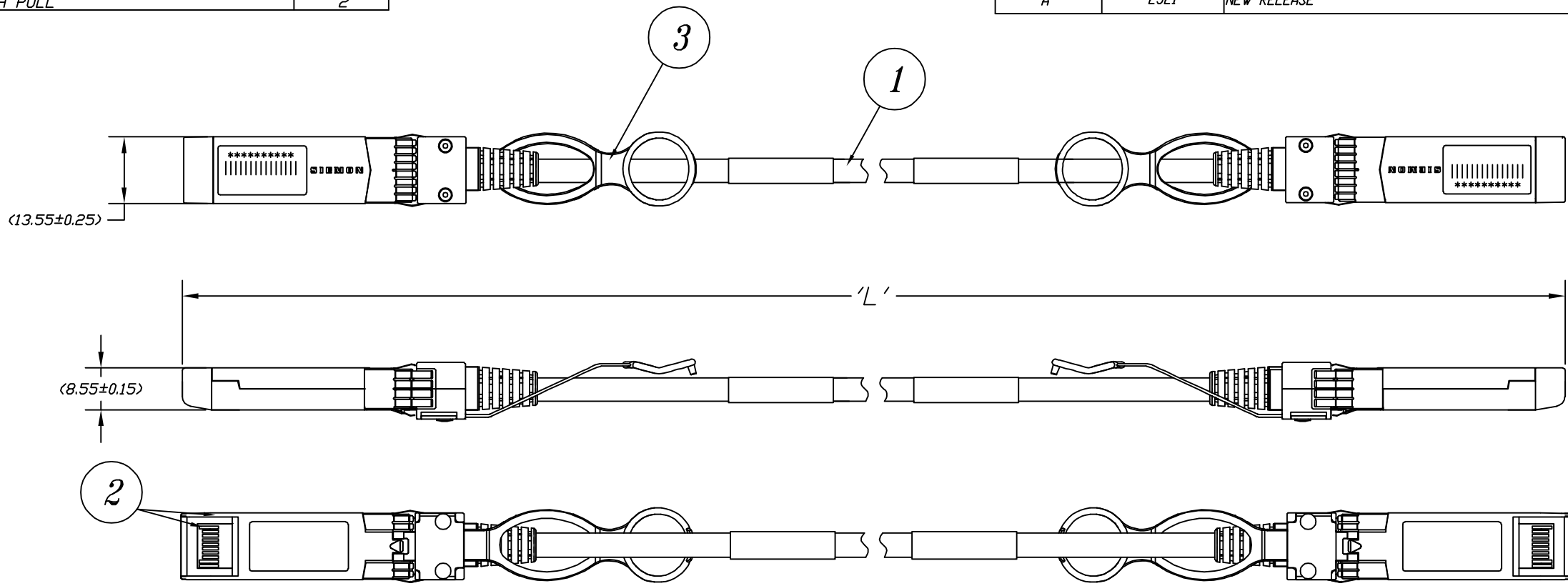


ITEM NO.	DESCRIPTION	QTY.
1	CABLE, VARYING LENGTH AND AWG	XX METERS
2	CONNECTOR (PCB AND DIE CAST)	2
3	LATCH PULL	2

REVISIONS					
REV.	ZCN/ECD	DESCRIPTION	BY	DATE	APPROVED
A	2521	NEW RELEASE	MJP	08/24/10	DG 09/09/10



SFPP(XX)-(XX)(.X)(X)(X)

CABLE AWG
CABLE ASSEMBLY LENGTH 'L'
.5 = HALF METER OPTION
OTHERWISE LEAVE BLANK

ORIGIN RESTRICTION
BLANK = NO RESTRICTION SPECIFIED
N = NON-ASIA PACIFIC
G = GSA
B = MADE IN USA (SEE SUD-SFPP(XX)-(XXX.X)
FOR PRODUCT REQUIREMENTS)

CABLE JACKET MATERIAL
L = LSZH
BLANK = PVC

E.G: 30 AWG, 1 METER ASSY, PVC JACKET,
NO ORIGIN RESTRICTION = SFPP30-01
E.G: 30 AWG, 0.5 METER ASSY, LSZH,
GSA = SFPP30-00.5LG

WIRING TABLE

SIDE 1		SIDE 2	
VeeT	1	VeeR	10
Tx_Fault	2	Tx_Fault	2
Tx_Disable	3	Tx_Disable	3
SDA	4	SDA	4
SCL	5	SCL	5
Mod_ABS	6	Mod_ABS	6
RS0	7	RS0	7
Rx_LDS	8	Rx_LDS	8
RS1	9	RS1	9
VeeR	10	VeeT	1
VeeR	11	VeeT	20
RD-	12	TD-	19
RD+	13	TD+	18
VeeR	14	VeeT	17
VccR	15	VccT	16
VccT	16	VccR	15
VeeT	17	VeeR	14
TD+	18	RD+	13
TD-	19	RD-	12
VeeT	20	VeeR	11

LENGTH TOLERANCE	
0.5M	+0/-10%
1M TO 5M	+0/-5%
6M AND UP	+0/-3%

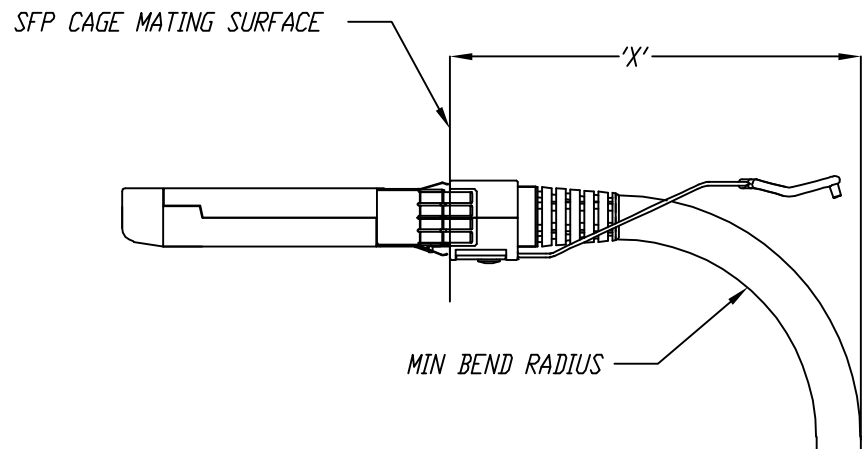
1. MATERIAL: SHELL - ZINC DIE CAST, LATCH PULL - BLACK NYLON, PCB - FR406HR (UL94V-0 RATED)
2. CABLE ASSEMBLY IS COMPLIANT PER SFF-8431 AND SFF-8432.
3. 100% TESTED FOR ELECTRICAL CONTINUITY
4. CUSTOM OPTIONS AVAILABLE. CONTACT A SIEMON COMPANY CUSTOMER SERVICE REPRESENTATIVE FOR MORE INFORMATION.
5. SFP+ INTERFACE IS MECHANICALLY COMPLIANT PER SFF-8432 REV. 5.0
6. ELECTRICAL PERFORMANCE COMPLIANT PER SFF-8431 REV. 3.2

PROPRIETARY INFORMATION THIS DOCUMENT CONTAINS PROPRIETARY INFORMATION OF THE SIEMON COMPANY AND IS DELIVERED ON THE EXPRESSED CONDITIONS THAT IT IS NOT TO BE DISCLOSED OR REPRODUCED IN WHOLE OR PART, OR USED FOR MANUFACTURING FOR ANYONE OTHER THAN THE SIEMON COMPANY WITHOUT ITS WRITTEN CONSENT AND THAT NO RIGHT IS GRANTED TO DISCLOSE OR SO USE ANY INFORMATION CONTAINED IN SAID DOCUMENT.	THE SIEMON COMPANY 101 SIEMON COMPANY DRIVE WATERTOWN, CT 06795 (860) 945-4200 www.siemon.com	TITLE SFP+ TO SFP+ COPPER CABLE ASSEMBLY	
	TOLERANCES 0 [.0] ± 1 [±.04] .0 [.00] ± 0.5 [±.02] .0 [.000] ± 0.25 [±.01]	DRAWN BY: M.J. PARDEE CHECKED BY: D. GIAMPIETRO ENGINEER: S. NAGEL	DATE: 08/31/10 DATE: 09/09/10 DATE: 09/02/10
	ANSI Y14.5M-1982 OR ISO 1101, 129 & 3040 PRIMARY DIMENSIONS ARE MILLIMETERS DIMENSIONS IN BRACKETS [] ARE INCHES DO NOT SCALE	DWG. SIZE: B DWG. NO.: M-9032371	PART NO.: SFPP(XX)-(XX)(.X)(X)(X) REV.: A
	SCALE: 1:1 SHEET 1 OF 2	CUSTOMER USE DRAWING	

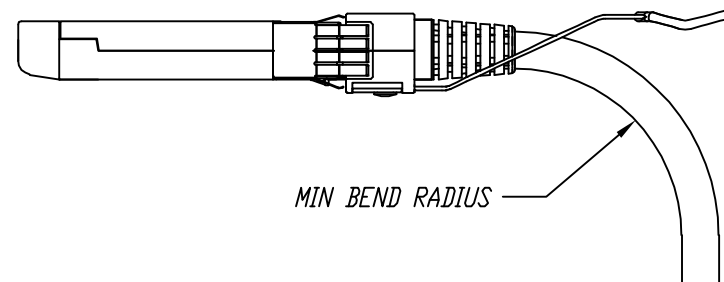
SFPP MIN. BEND RADIUS (FOR REFERENCE ONLY)

AWG	CABLE OD mm [in.]	MIN. 1x BEND RADIUS (5x CABLE DIA)	MIN. REPEATED BEND RADIUS (10x CABLE DIAMETER)	'X' MIN. DISTANCE 1x BEND	'X' MIN. DISTANCE REPEATED BEND
24	6.20 [0.244]	31.0 [1.22]	62.0 [2.44]	47.2 [1.86]	78.2 [3.08]
26	5.21 [0.205]	26.1 [1.03]	52.1 [2.05]	41.3 [1.62]	67.3 [2.65]
28	4.70 [0.185]	23.5 [0.93]	47.0 [1.85]	38.2 [1.50]	61.7 [2.43]
30	4.50 [0.177]	22.5 [0.89]	45.0 [1.77]	37.0 [1.46]	59.5 [2.34]

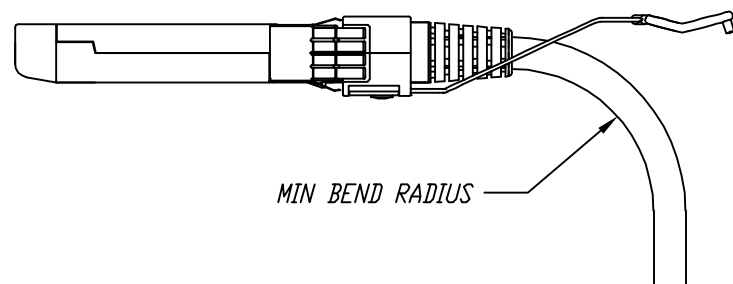
REVISIONS					
REV.	ZCN/ECD	DESCRIPTION	BY	DATE	APPROVED
-	-	SEE SHEET 1 FOR ALL REVISIONS	-	-	



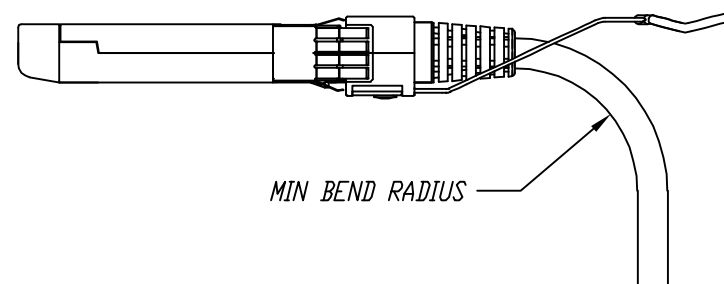
24 AWG



26 AWG



28 AWG



30 AWG

PROPRIETARY INFORMATION
THIS DOCUMENT CONTAINS PROPRIETARY INFORMATION OF THE SIEMON COMPANY AND IS DELIVERED ON THE EXPRESSED CONDITIONS THAT IT IS NOT TO BE DISCLOSED OR REPRODUCED IN WHOLE OR PART, OR USED FOR MANUFACTURING FOR ANYONE OTHER THAN THE SIEMON COMPANY WITHOUT ITS WRITTEN CONSENT AND THAT NO RIGHT IS GRANTED TO DISCLOSE OR SO USE ANY INFORMATION CONTAINED IN SAID DOCUMENT.

THE SIEMON COMPANY
101 SIEMON COMPANY DRIVE
WATERTOWN, CT 06795
(860) 945-4200
www.siemon.com

TOLERANCES

0 [0]	± 1 [±0.4]
.0 [0.00]	± 0.5 [±0.2]
.0 [0.000]	± 0.25 [±0.1]
ANGLE	± 1°

ANSI Y14.5M-1982 OR ISO 1101, 129 & 3040

PRIMARY DIMENSIONS ARE MILLIMETERS
DIMENSIONS IN BRACKETS [] ARE INCHES

DO NOT SCALE

DRAWN BY: M.J. PARDEE
CHECKED BY: D. GIAMPIETRO
ENGINEER: S. NAGEL

DATE: 08/31/10
DATE: 09/09/10
DATE: 09/02/10

TITLE: SFP+ TO SFP+ COPPER CABLE ASSEMBLY

DWG. SIZE: B
DWG. NO.: M-9032371

PART NO.: SFPP(XX)-(XX)(X)(X)(X)
REV.: A

SCALE: 1:1
SHEET 2 OF 2

CUSTOMER USE DRAWING