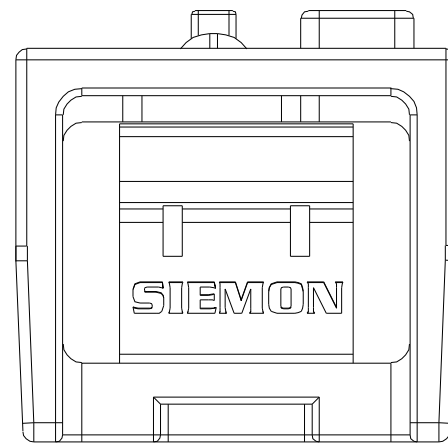
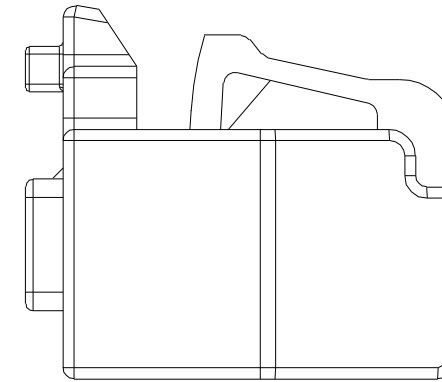
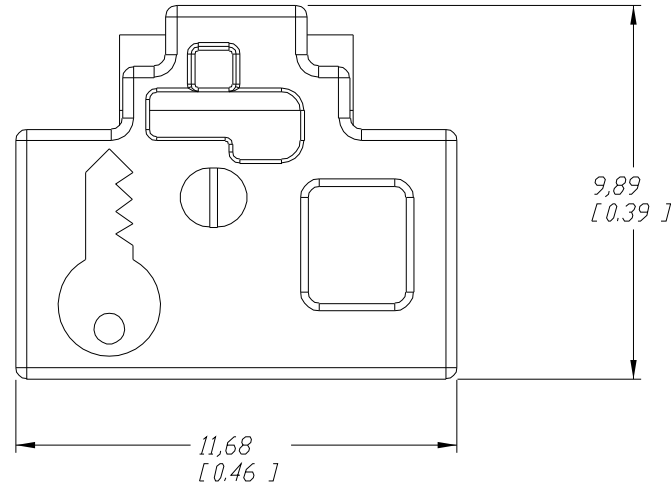
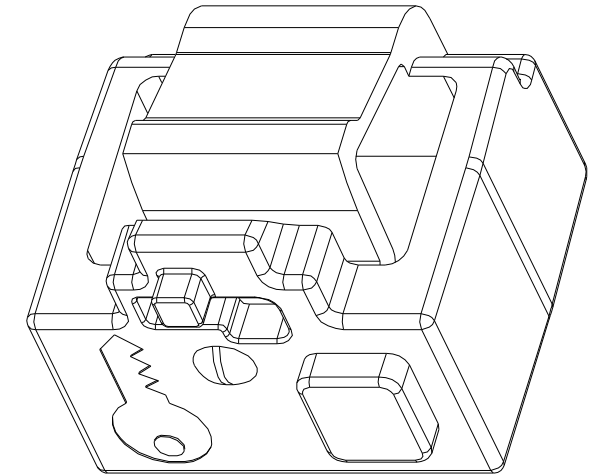
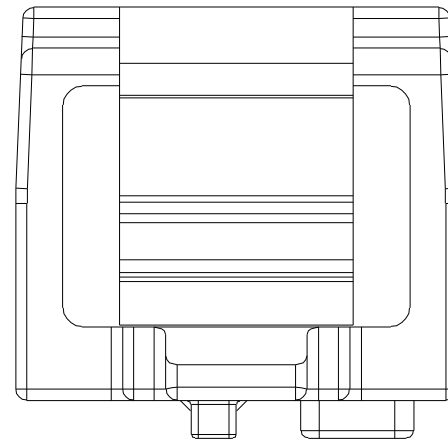


REV.	ECD NO.	REVISIONS	BY	DATE	APVD.
A	1923	NEW RELEASE	DC	06/10/08	DAVID G



- NOTES:
1. MATERIAL: PC+ABS, YELLOW, FLAME RETARDANT THERMOPLASTIC;
 2. ROHS COMPLIANT;
 3. SEE INSTRUCTIONS FOR USING PRODUCT;
 4. CONTACT A SIEMON COMPANY CUSTOMER SERVICE REPRESENTATIVE FOR ADDITIONAL INFORMATION.
 5. OUTLET LOCK FITS MOST INDUSTRY STANDARD 8-POSITION MODULAR JACKS.

PROPRIETARY INFORMATION
 THIS DOCUMENT CONTAINS PROPRIETARY INFORMATION OF THE SIEMON COMPANY AND IS DELIVERED ON THE EXPRESSED CONDITIONS THAT IT IS NOT TO BE DISCLOSED OR REPRODUCED IN WHOLE OR PART, OR USED FOR MANUFACTURING FOR ANYONE OTHER THAN THE SIEMON COMPANY WITHOUT ITS WRITTEN CONSENT AND THAT NO RIGHT IS GRANTED TO DISCLOSE OR SO USE ANY INFORMATION CONTAINED IN SAID DOCUMENT.

THE SIEMON COMPANY
 101 SIEMON COMPANY DRIVE
 WATERTOWN, CT 06795
 (860) 945-4200 www.siemon.com

TOLERANCES		DRAWN BY	DATE
0 [0]	±1 [±04]	OSCAR CHEN	06/10/08
0.0 [0.00]	±0.5 [±02]	CHECKED BY GAVIN ZHANG	DATE 06/12/08
0.00 [0.000]	±0.25 [±01]	ENGINEER GAVIN ZHANG	DATE 06/12/08
ANGLE	1°		

ANSI Y14.5M-1982 OR ISO 1101, 129 & 3040
 DIMENSIONS IN SQUARE BRACKETS ARE [in]
 ALL OTHER DIMENSIONS ARE MILLIMETERS.

TITLE	
OUTLET LOCK FOR LOCKIT SERIES	
DWG. NO.	B-1003057
PART NO.	LL-05
REV.	A
SCALE	5.000
SHEET 1 OF 1	

CUSTOMER USE DRAWING