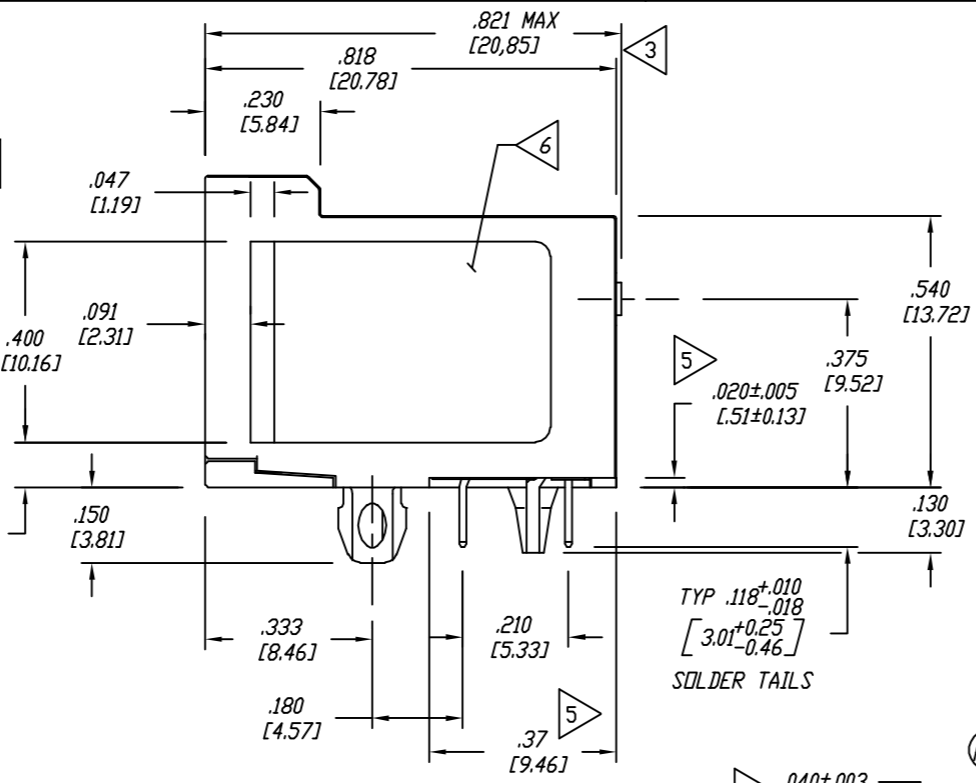
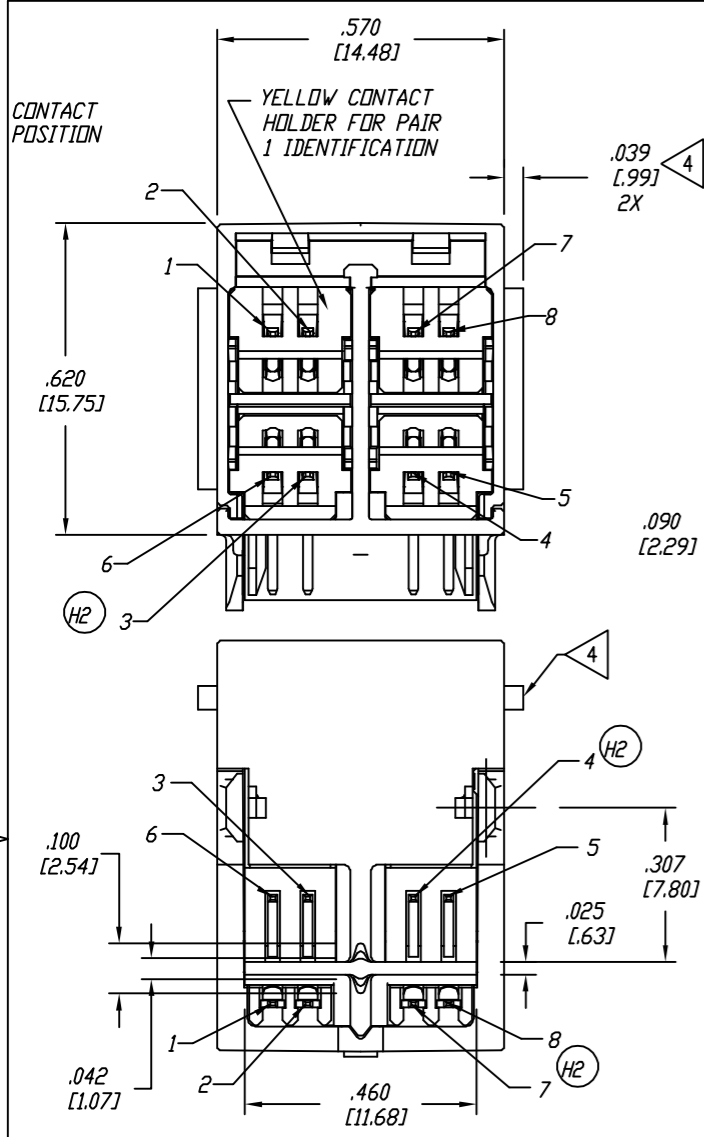
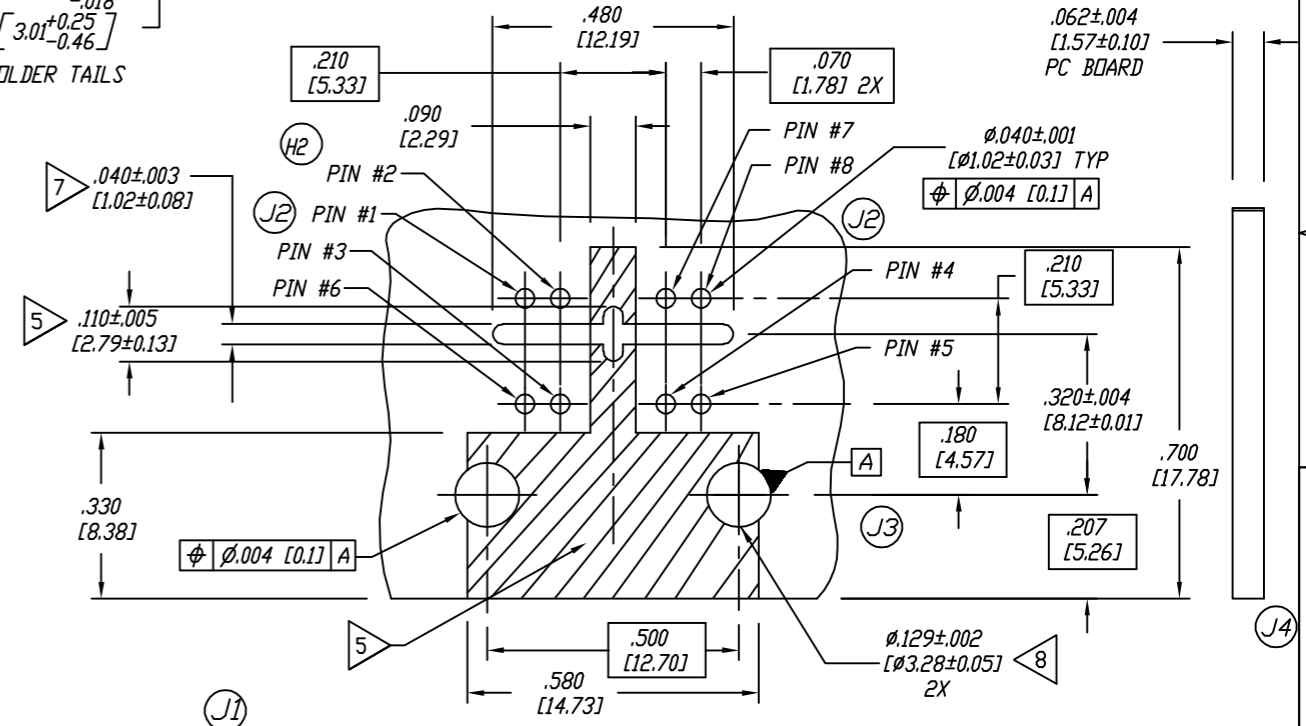
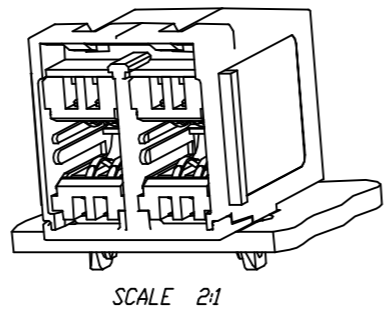


REV.	ECD NO.	REVISIONS	BY	DATE	APVD.
G	7109	G1: ADDED NOTE 9	ARK	05/16/02	KJS 05/16/02
H	466	H1: UPDATE LOGO H2: FIX PIN ASSIGNMENT-3 LOCATIONS H3: NOTE 2-DELETE "PROPOSED CAT7"	DRH	01/17/05	SN 03/09/05
J	1822	J1: UPDATED ADDRESS IN TITLE BLOCK J2: ADDED PIN # ASSIGNMENTS TO VIEW ABOVE TITLE BLOCK. J3: UPDATED DATUM PER "ASME" STDS. J4: DRAWING No. WAS B-9063052.	JHD	6/4/08	J.B. 6/5/08



T7 - PCB - 118 (-LR)
 TERA CATEGORY 7
 PCB OUTLET
 .118" [3.01MM] SOLDER TAIL LENGTH
 PANEL STOP OPTIONS:
 "LR" = LEFT & RIGHT PANEL STOPS
 "L" = LEFT PANEL STOP ONLY
 "R" = RIGHT PANEL STOP ONLY
 BLANK = NO PANEL STOPS

- (G1) 9 PATENTED UNDER U.S. PATENT NO. 6,224,423.
- 8 SOLDER PLATE THRU HOLES. OUTLET'S TWO RETENTION PYLONS MUST BE SOLDERED TO PC BOARD FOR MECHANICAL RETENTION AND GROUNDING PURPOSES.
- 7 UNPLATED THRU SLOT ON PC BOARD.
- 6 AREAS FOR OPTIONAL LOGO (2X).
- 5 STANDOFF AREA WHERE DIE-CAST SHIELD IS IN DIRECT CONTACT WITH PCB.
- 4 FOR SIDE-TO-SIDE STACKING APPLICATION, ORDER WITHOUT PANEL STOP OPTION.
- 3 DIE-CAST SHIELD SHALL BE 0.821 [20.86] MAXIMUM AFTER RIVET FORMING.
- 2 CONNECTOR SHALL MEET OR EXCEED ALL REQUIREMENTS OF IEC 61076-3-104 SPECIFICATION.
- 1 MATERIAL: SHIELD- DIE-CAST ZINC-ALLOY, CONTACT HOLDERS- FLAME RETARTANT THERMOPLASTIC, CONTACTS- HIGH GRADE COPPER ALLOY WITH GOLD PLATING FINISH AT CONTACT INTERFACE.



PROPRIETARY INFORMATION THIS DOCUMENT CONTAINS PROPRIETARY INFORMATION OF THE SIEMON COMPANY AND IS DELIVERED ON THE EXPRESSED CONDITIONS THAT IT IS NOT TO BE DISCLOSED OR REPRODUCED IN WHOLE OR PART, OR USED FOR MANUFACTURING FOR ANYONE OTHER THAN THE SIEMON COMPANY WITHOUT ITS WRITTEN CONSENT AND THAT NO RIGHT IS GRANTED TO DISCLOSE OR SO USE ANY INFORMATION CONTAINED IN SAID	THE SIEMON COMPANY 101 SIEMON COMPANY DRIVE WATERTOWN, CT 06795 (860) 945-4200 www.siemon.com		TITLE CATEGORY 7 TERA PCB OUTLET	
	TOLERANCES .00 ±.02 .000 ±.010 .0000 - ANGLES 1°		DRAWN BY YIP DATE 06/02/00 CHECKED BY B.TULLEY DATE 08/11/00 ENGINEER YIP DATE 06/02/00	
	ANSI Y14.5M-1982 OR ISO 1101, 129 & 3040 DIMENSIONS IN SQUARE BRACKETS ARE [mm], ALL OTHER DIMENSIONS ARE INCHES		DWG. NO. M-9063052	
	DO NOT SCALE		PART NO. T7-PCB-118(-LR)	

SCALE 3:1 SHEET 1 OF 1

DWG. NO. **M-9063052** SH **1** REV. **J**