

ITEM NO.	DESCRIPTION	QTY.
1	BLADE PATCH PLUG	REF P/N
2	SLIDING BOOT	REF P/N
3	CATEGORY 6A CABLE	1
4	LOCKIT KEY	1/10

REV.	ECD NO.	REVISIONS	BY	DATE	APVD.
A	2003	ENGINEERING RELEASE	D.C.	10/20/08	D.G. 10/29/08
B	2039	B1: IEC61156-6 WAS ISO/IEC 11801.	WP	11/14/08	D.H. 11/24/08
C	2189	C1: UPDATED PN MATRIX TO SUPPORT LB6A & LM6A C2: ADDED BP & MC VIEWS C3: UPDATED WIRING CHART	JBF	04/24/09	W.P. 04/27/09

SIEMON P/N DESCRIPTION

L(X)6A(X)-(X)(XX)(X)-(XX)(X)

P = LOCKIT TO LOCKIT
M = LOCKIT TO MC PLUG
B = LOCKIT TO BLADEPATCH

CABLE TYPE
X = X-OVER
BLANK = T568B

BLANK = UTP
S = SHIELD

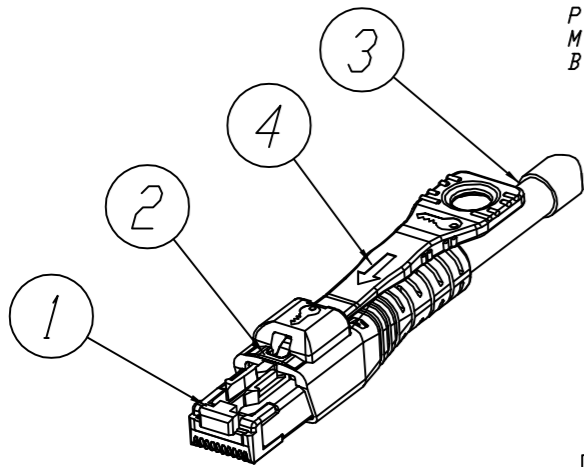
DIM. "A"
CORD LENGTH

BLANK = FEET
M = METERS

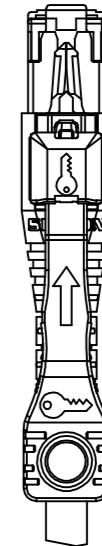
CABLE/BOOT COLOR

01->BLACK
02->WHITE
03->RED
04->GRAY
05->YELLOW
06->BLUE
07->GREEN
09->ORANGE

BLANK=STANDARD PACK
L=LSOH

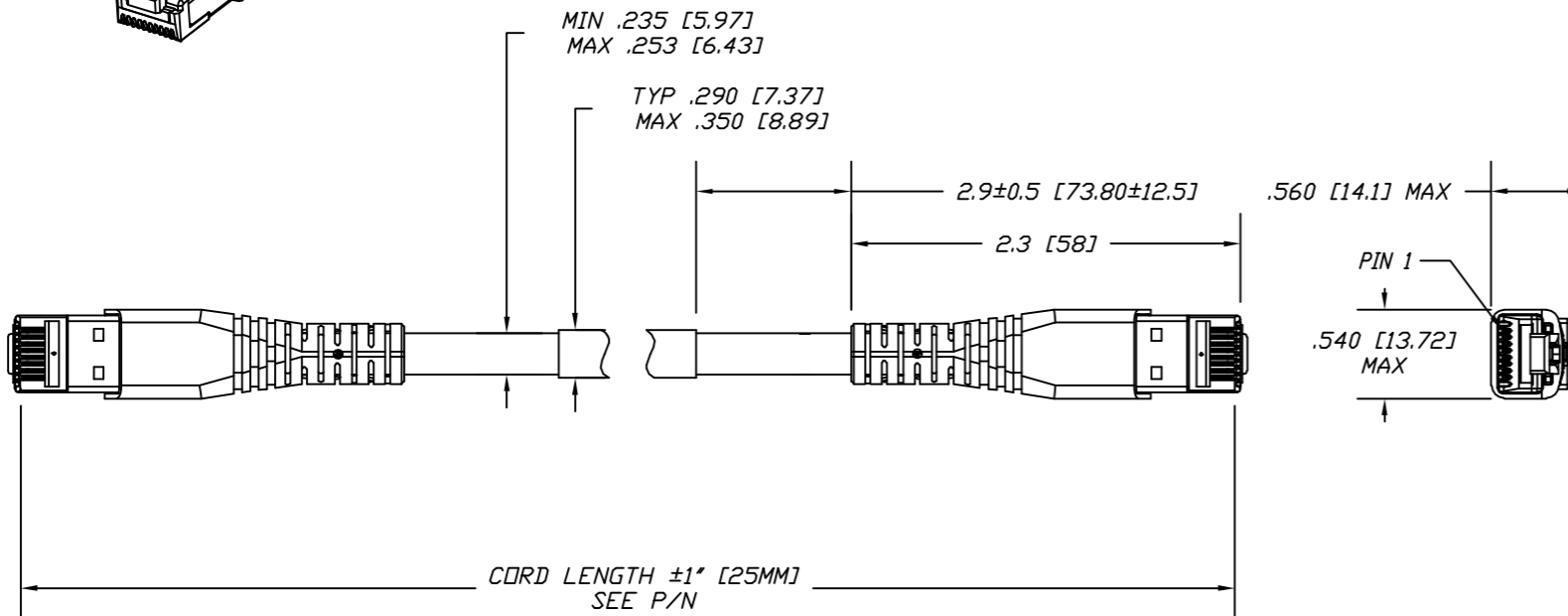


PUSH SLIDE BOOT FORWARD TO PLUG INTO JACK



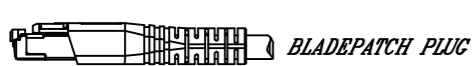
WITH KEY

INSERT THE KEY, PULL SLIDING BOOT REARWARD TO UNLATCH FROM JACK



MODULAR CORD WIRING CHART						
TIP/RING [†] & CABLE PAIR ID.	CONDUCTOR COLORS		PIN # (8-POS. PLUG)			
			STRAIGHT THROUGH (T568A/B *)		CROSSOVER (ETHERNET **)	
	OPTION 1	OPTION 2	END A	END B	END A	END B
T1	BLUE/STRIPED	GREEN	5	5	5	8
R1	BLUE	RED	4	4	4	7
T2	ORANGE/STRIPED	BLACK	1	1	1	3
R2	ORANGE	YELLOW	2	2	2	6
T3	GREEN/STRIPED	BLUE	3	3	3	1
R3	GREEN	ORANGE	6	6	6	2
T4	BROWN/STRIPED	BROWN	7	7	7	4
R4	BROWN	SLATE	8	8	8	5

* ALTHOUGH T568B COLOR SCHEME IS USED FOR ASSEMBLY, STANDARD STRAIGHT THROUGH CORDS ARE COMPATIBLE WITH BOTH T568A & T568B WIRE SCHEMES SINCE PAIR GROUPINGS ARE IDENTICAL FOR BOTH.
** CROSSOVER CORDS AVAILABLE FOR ETHERNET APPLICATIONS REQUIRING TRANSMIT TO RECEIVE PAIR CROSSOVER (IE. SWITCH-TO-SWITCH CONNECTIONS) AND SUPPORT: 10BASE-T, 100BASE-T, 100BASE-T2, 100BASE-T4, 100BASE-T, AND 10GBASE-T APPLICATIONS.
† TWO CONDUCTORS MAKE UP A PAIR: 'TIP' AND 'RING' CONDUCTORS (NORTH AMERICAN TERM). ALSO KNOWN AS 'A' WIRE & 'B' WIRE (UK TERM). A = TIP, B = RING.



BLADEPATCH PLUG



MC PLUG

- NOTES:
5. CUSTOM LENGTH AVAILABLE. CONTACT A SIEMON CUSTOMER SERVICE REPRESENTATIVE FOR MORE INFORMATION.
 4. 100% TESTED FOR ELECTRICAL CONTINUITY;
 3. PLUG PIN CONNECTED 1 TO 1, 2 TO 2, 3 TO 3 etc..
 2. CONTACT PLATING: GOLD ALLOY OVER NICKEL UNDERPLATE;
 1. SHIELDED/UNSHIELDED TWISTED 4-PAIR, 26 AWG STRANDED CONDUCTOR CABLE. UL LISTED. CABLE TRANSMISSION PERFORMANCES SHALL MEET OR EXCEED TIA/EIA -568-B.2-10, IEC 61156-6. Ed 2.0 (AD 1), AND SIEMON SPEC #1197 CATEGORY 6A REQUIREMENTS.

PROPRIETARY INFORMATION THIS DOCUMENT CONTAINS PROPRIETARY INFORMATION OF THE SIEMON COMPANY AND IS DELIVERED ON THE EXPRESSED CONDITIONS THAT IT IS NOT TO BE DISCLOSED OR REPRODUCED IN WHOLE OR PART, OR USED FOR MANUFACTURING FOR ANYONE OTHER THAN THE SIEMON COMPANY WITHOUT ITS WRITTEN CONSENT AND THAT NO RIGHT IS GRANTED TO DISCLOSE OR SO USE ANY INFORMATION CONTAINED IN SAID DOCUMENT.	THE SIEMON COMPANY 101 SIEMON COMPANY DRIVE WATERTOWN, CT 06795 (860) 945-4200 www.siemon.com		TITLE CATEGORY 6A CABLE LOCKIT PATCH CORD	
	TOLERANCES 0 [.0] ±1 [±.04] 0.0 [.00] ±0.5 [±.02] 0.00 [.000] ±0.25 [±.01]		DWG. NO. B-9003060	
	ANGLE 1°		REV. C	
	ANSI Y14.5M-1982 OR ISO 1101, 129 & 3040 DIMENSIONS IN SQUARE BRACKETS ARE [MM] ALL OTHER DIMENSIONS ARE INCHES.		SHEET 1 OF 1	

CUSTOMER USE DRAWING