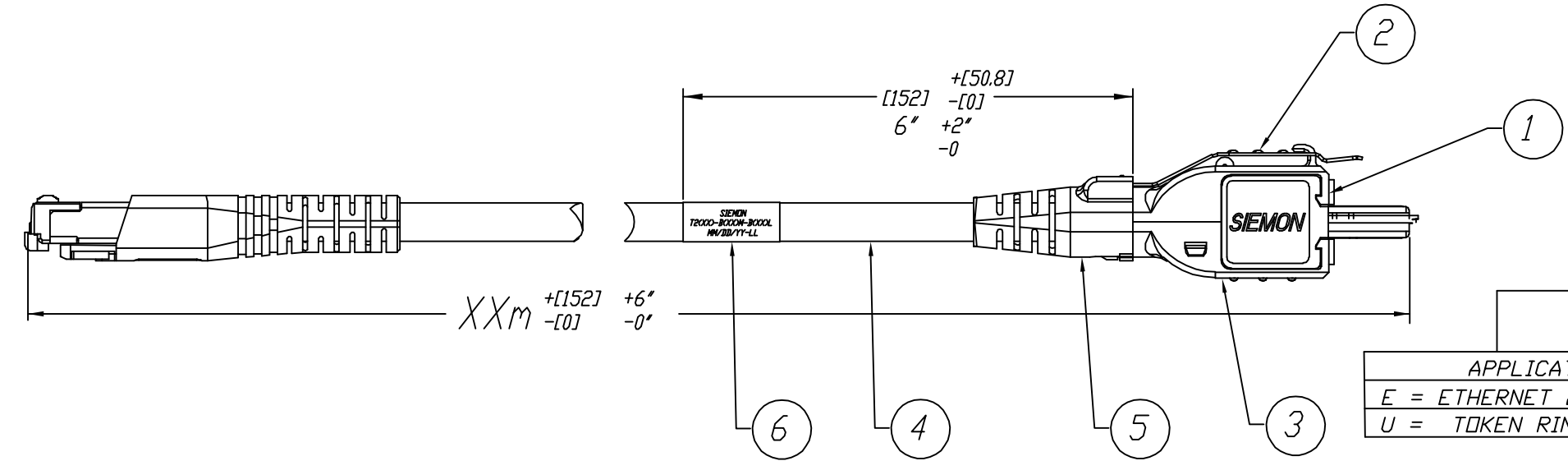
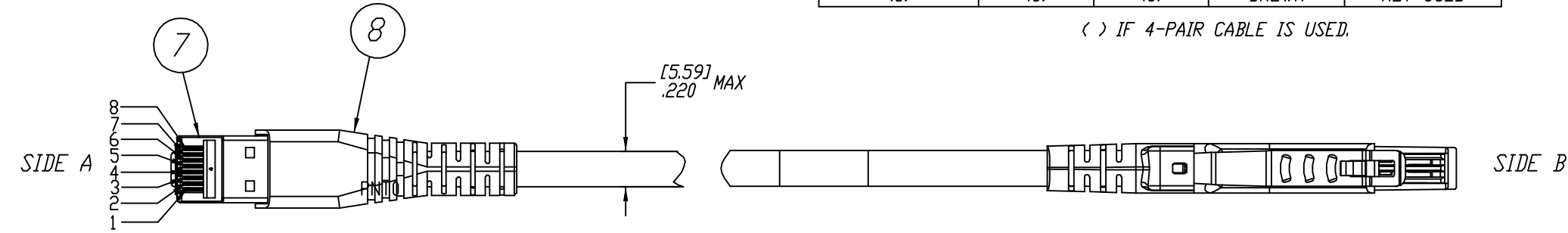
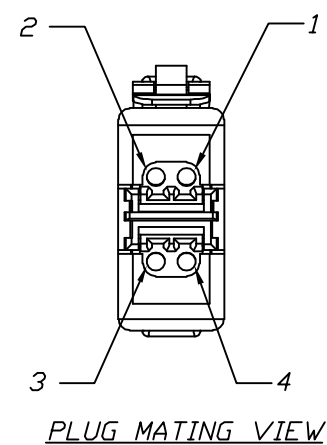


ITEM NO.	DESCRIPTION	QTY.
1	TERA 2-PAIR BODY SUBASSEMBLY	1
2	TERA 2-PAIR PLUG COVER TOP ASSEMBLY	1
3	TERA 2-PAIR PLUG COVER BOTTOM	1
4	4-PAIR SCREENED 26AWG, STRANDED CABLE, CAT5, LSOH (XX)M	
5	TERA 2-PAIR BOOT	1
6	LABEL WHITE	1
7	4-PAIR SHIELDED BLADEPATCH PLUG	1
8	BLADEPATCH BOOT	1

WIRING SCHEME					
SIDE A (BLADEPATCH PLUG)			CONDUCTOR COLOR	SIDE B	
CROSSOVER (ETHERNET ONLY)	STRAIGHT THROUGH ETHERNET	TOKEN RING		TERA 2-PAIR PLUG	
3	1	5	WHITE/BLUE	1	
6	2	4	BLUE	2	
1	3	3	WHITE/ORANGE	3	
2	6	6	ORANGE	4	
(8)	(5)	(1)	WHITE/GREEN	NOT USED	
(7)	(4)	(2)	GREEN	NOT USED	
(4)	(7)	(7)	WHITE/BROWN	NOT USED	
(5)	(8)	(8)	BROWN	NOT USED	

REV.	ECO NO.	REVISIONS	BY	DATE	APVD.
A	1709	NEW RELEASE	A.Z.	06/07/07	D.G. 12/11/07



T2(X)(X)-B(XX)M-B(XX)L

APPLICATION
E = ETHERNET 2 - PAIR
U = TOKEN RING

WIRING SCHEME PIN OUT
BLANK = STRAIGHT THROUGH
X = CROSSOVER

NO.	LENGTH (IN METERS)	NO.	BOOT COLOR
01	1	01	BLACK
02	2	02	WHITE
03	3	03	RED
04	4	04	GRAY
05	5	05	YELLOW
		06	BLUE
		07	GREEN

NOTES: 3. CUSTOM LENGTHS AVAILABLE; CONTACT A SIEMON CUSTOMER SERVICE OR TECHNICAL SUPPORT REPRESENTATIVE FOR INFORMATION.  
 2. CATEGORY 5e COMPLIANT ASSEMBLY.  
 1. 100% TESTED FOR ELECTRICAL CONTINUITY.

**THE SIEMON COMPANY**  
 101 SIEMON COMPANY DRIVE  
 WATERTOWN, CT 06795  
 (860) 945-4200 www.siemon.com

TOLERANCES	DRAWN BY	DATE
X ± 0.5	A. SZABLÓWSKI	06/07/07
.X ± .25	CHECKED BY	DATE
.XX ± .100	D. GIAMPIETRO	12/10/07
ANGLES ± -	ENGINEER	DATE
	A. SZABLÓWSKI	06/07/07

ANSI Y14.5M-1982 OR ISO 1101, 129 & 3040  
 DIMENSIONS IN SQUARE BRACKETS ARE [mm], ALL OTHER DIMENSIONS ARE INCHES. DO NOT SCALE

TITLE  
**2-PAIR TERA TO BP5  
 PATCH CORD, F/UTP  
 LSOH**

DWG. NO. **B-9063201**

PART NO. T2(X)(X)-B(XX)M-B(XX)L REV. **A**

SCALE **NOT TO SCALE** SHEET 1 OF 1

DWG. NO. B-9063201 SH 1 G A