

Siemon Universal Modular Furniture Adapter

Siemon's extended depth, universal modular furniture adapter was specifically designed as a single product solution for securely mounting work area network connectivity in all of today's most common modular furniture systems. The adapter's universal mounting frame is adaptable to fit a wide range of available opening sizes, providing simple, snap-in attachment of the plates. This combination of mounting frame and faceplate facilitates the deployment of today's larger diameter, high performance cabling in congested modular furniture pathways without exceeding performance-critical bend radius limits.

Available in MAX™ and CT® versions, this product platform provides a universal mounting solution for all Siemon connectivity lines including CT, MAX, Z-MAX™ and TERA®.



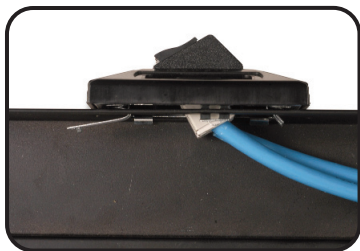
Snap-in Faceplate Mounts – Robust latching features ensure secure engagement onto mounting frame – even with congested raceways – while providing quick and easy installation

Flexible Mounting – 4-port MAX-style and single coupler CT-style plates are available to support a wide range of connectivity options

Impact Resistant – Low-profile, angled surface faceplates protect outlets while eliminating catch points to reduce potential damage due to incidental contact – a common concern in modular furniture connectivity solutions



Universal Mounting – Mounting frame adapts to fit nearly any furniture opening and panel thickness, eliminating the need for furniture-specific mounting products while providing a positive fit uncommon to fixed depth latch designs



Manage Bend Radius – Extended plate design and optional angled adapters provide additional space to help maintain performance-critical bend radius



Improved Labeling Visibility – Angled, top-mount label window provides better label visibility in low-light, confined locations common to modular furniture applications

- Compliance**
- ANSI/TIA-569-B
 - UL 1863
 - CSA C22.2
 - RoHS

Ordering Information



CT-UMA-(XX)
 CT Universal Modular Furniture
 Adapter, Accepts (1) CT Coupler.
 Includes faceplate, mounting
 frame, label and clear label holder



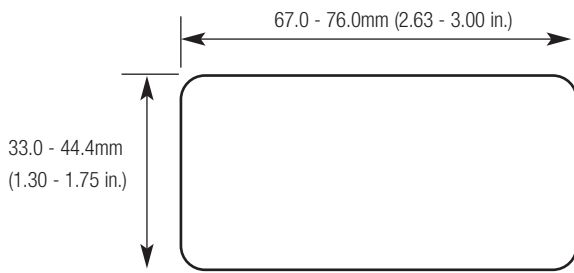
MX-UMA-(XX)
 MAX Universal Modular Furniture
 Adapter, Accepts (4) MAX, Z-MAX
 or TERA Outlets

Includes faceplate, mounting
 frame, label and clear label holder

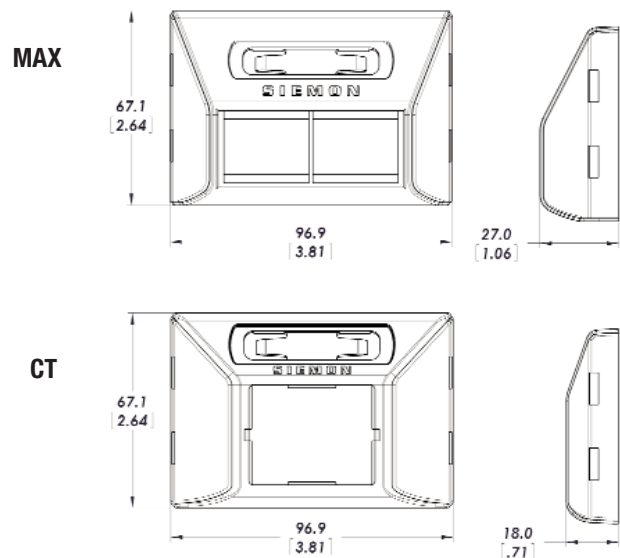
Use (XX) To specify color: 01 = Black, 02 = White, 04 = Gray, 20 = Ivory, 80 = Light Ivory

Opening Compatibility

The universal modular furniture adapter can be mounted to the following range of panel openings:



Product Dimensions



Product Information

Material (Mounting Frame)	Zinc-plated, cold rolled steel
Material (Faceplate)	High impact, flame-retardant thermoplastic
Flammability Rating (Faceplate)	UL 94 V-0
Material Compliance	RoHS, lead-free, halogen-free, PVC free

Visit our website at www.siemon.com for detailed global office contact information

North America
 Watertown, CT USA
 Phone (1) 860 945 4200 US
 Phone (1) 888 425 6165 Canada

Europe/Middle East/Africa
 Surrey, England
 Phone (44) 0 1932 571771

Asia/Pacific
 Shanghai, P.R. China
 Phone (86) 21 5385 0303

Latin America
 Bogota, Colombia
 Phone (571) 657 1950