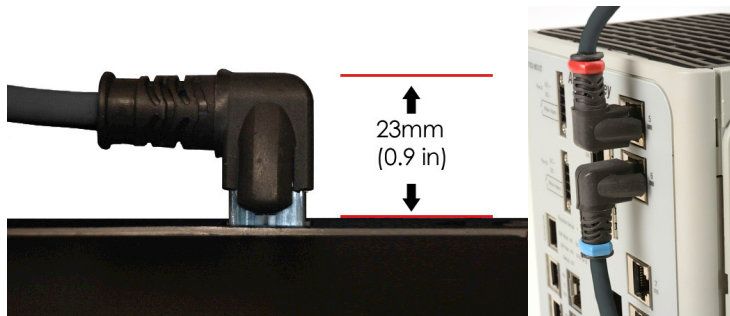
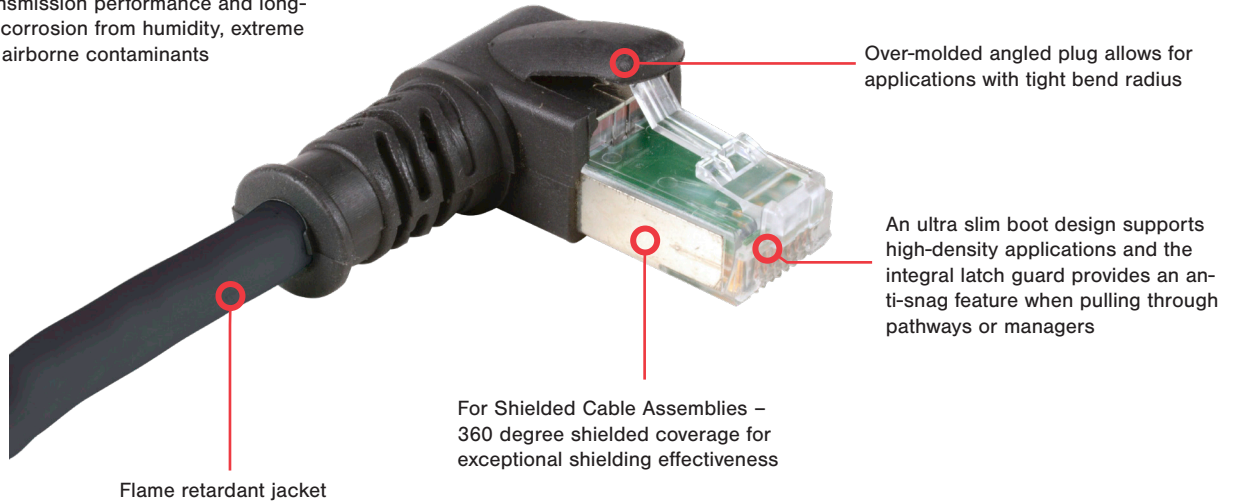


Ruggedized Cable Assemblies

Right & Left Angled Ruggedized Cable Assemblies

Siemon over-molded 90 degree RJ45 patch cables are designed for low profile applications where space is a premium. Industrial control panels and enclosures are typically shallow leaving little available space for equipment and the proper bend radius that's required for the network cables. Right and left angle options are available providing machine builders and integrators more flexibility when designing their systems. These angled RJ45 Cat 5e cable assemblies are specifically designed to perform above the current IEC, TIA and ODVA Ethernet standards and provide a highly reliable network connection in harsh environments.

Siemon modular plugs exceed ANSI/TIA-1096-A and IEC 60603-7 specifications and have 50 micro inches minimum of gold plating over nickel. The result is superior transmission performance and long-term resistance to corrosion from humidity, extreme temperatures, and airborne contaminants



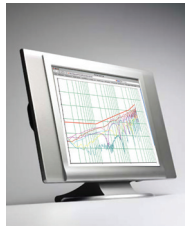
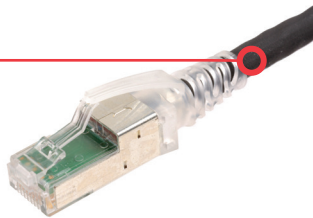
Standards Compliance

- ANSI/TIA-568-C2
- ISO/IEC 11801 Ed 2.2
- IEEE802.3af (PoE)
- IEEE802.3at (PoE+)
- UL 1863 and CSA-C22.2 No.1824-M90
- IEC-60603-7
- ODVA

Straight Ruggedized Cable Assemblies

Siemon straight ruggedized cable assemblies are designed for high temperature applications and rapid changes of temperature. Our TPE jacket with straight and angled connectors and PUR jacket assemblies with straight RJ45 connectors have been successfully tested to 75° C operating temperature, as network equipment functions at this elevated temperature. Standard patch cords operate at a maximum of 60° C. These robust cable jacket types also protect data from industrial elements like noise, chemicals and mechanical extremes. As with our assemblies having angled connectors, these assemblies also perform above the current IEC, TIA and ODVA standards. TPE jacketed assemblies are highly flexible for those applications requiring high levels of mechanical stress.

TPE jacket cable assemblies allow for operating temperatures of 75° C



Assemblies are 100% factory tested for infield reliability



Color Coded Clips
Removable clips allow field color coding even when cords are connected

Performance Specifications

Electrical – General

Contact Resistance	10 mΩ
Input to Output Resistance	200 mΩ
Min. Dielectric Withstand Voltage	1000 Volts AC peak contact to contact 1500 Volts contact to shield
Insulation Resistance	500 mΩ
PoE	Suitable for PoE and PoE+
Surface Transfer Impedance	< 10 mΩ/m @ 10 MHz

Mechanical – Plug

Number of Plug Insertion Cycles	2500
Min. Plug Retention Force	50N (11.25 lbs.)
Plug Compatibility	Compatible with RJ45 outlets
Cable to Plug Tensile Strength (min)	89N (20 lbs.)

Mechanical – General

Operating Temperature	-10 to 75° C, (14 to 167° F)
Flammability Rating	UL94 V-0
Green Features	RoHS, lead free, halogen free, PVC free
Plug Housing Material	Polycarbonate
Contact Materials	50 micro inches gold plating or equivalent
Screen	360 degree enclosure
Marking	P/N, length, performance level, QC

Cable Features

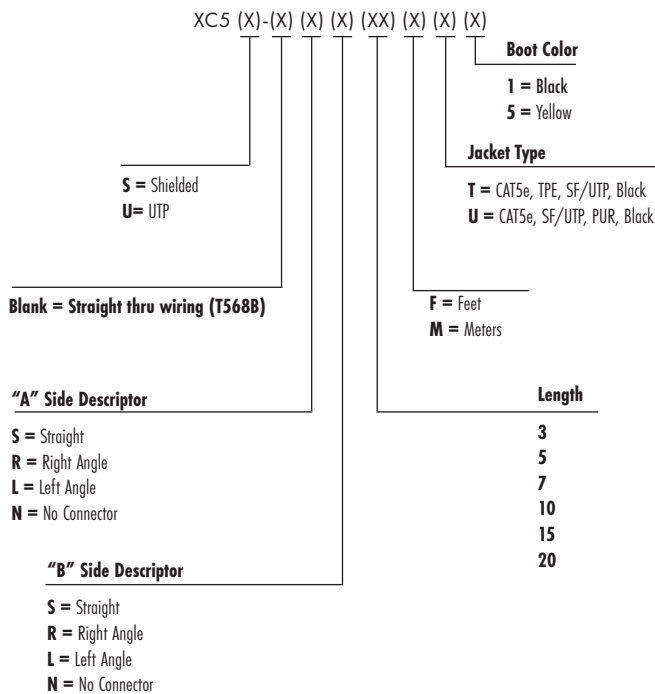
Jacket Options

Cable Features	Jacket Options	
	TPE	PUR
Low Temperature Flexibility and Brittle Point	Excellent	Excellent
Tear Resistance	Excellent	Excellent
Abrasion and Scruff Resistance	Good	Excellent
Tensile Strength and Toughness	Good	Excellent
Ultraviolet and Weather Resistance	Good	Good
Resistance to Acids	Excellent	Fair
Resistance to Bases	Good	Good
Resistance to Moisture	Excellent	Excellent
Resistance to Petro-Chemicals	Fair	Fair
Flame and Fire Resistance	Good	Fair
Low Smoke, Zero Halogen	No	Yes

Product Information

Jacket Material	Jacket Type	Assembly Configuration	Number of Conductors	Stranded Wire Size	Cable Jacket Color	Cable Construction	Operating Temperature	Nominal Cable OD	Bend Radius
TPE	CMG	Straight RJ45 to Straight RJ45	8	26AWG	Black	Unshielded	75° C	5.8 mm (0.23")	23.4mm (0.92")
TPE	CMG	Straight RJ45 to Angled RJ45	8	26AWG	Black	Unshielded	75° C	5.8mm (0.23")	23.4mm (0.92")
TPE	CMG	Angled RJ45 to Angled RJ45	8	26AWG	Black	Unshielded	75° C	5.8mm (0.23")	23.4mm (0.92")
TPE	CMX	Angled RJ45 to Blunt End	8	26AWG	Black	Shielded	75° C	6.1 mm (0.24")	24.4mm (0.96")
PUR	CMX	Straight RJ45 to Straight RJ45	8	26AWG	Black	Shielded	75° C	6.1 mm (0.24")	24.4mm (0.96")
PUR	CMX	Straight RJ45 to Angled RJ45	8	26AWG	Black	Shielded	60° C	6.1 mm (0.24")	24.4mm (0.96")
PUR	CMX	Angled RJ45 to Angled RJ45	8	26AWG	Black	Shielded	60° C	6.1 mm (0.24")	24.4mm (0.96")

Ordering Information



Color Coding Clips

Part#	Description
-------	-------------

CLIP-(XX) Color Coding Clip, bag of 25

Use (XX) to specify color: 01=black, 02=white, 03=red, 04=gray, 05=yellow, 06=blue, 07=green, 08=violet, 09=orange

Color coding clips can be used with TPE and PUR cable types.

Because we continuously improve our products, Siemon reserves the right to change specifications and availability without prior notice.

North America P: (1) 860 945 4200 Asia Pacific P: (61) 2 8977 7500 Latin America P: (571) 657 1950/51/52 Europe P: (44) 0 1932 571771 China P: (86) 215385 0303 India Middle East P: (971) 4 3689743

Siemon Interconnect Solutions
P: (1) 860 945 4213
www.siemon.com/SIS

WWW.SIEMON.COM

