

MAX® Wi-Fi Access Point Bracket Faceplate

The Siemon MAX Wi-Fi Access Point Bracket Faceplate offers an easy, low-profile mounting and connection method for ceiling-mounted wireless access points (WAPs). This 2-port bracket faceplate is designed to be used with flat MAX outlets or hybrid Z-MAX® outlets. Ideal for preparing drop ceiling tiles for future WAP deployments without having to re-enter the air handling space as required in many healthcare and other sensitive environments, the MAX Wi-Fi Access Point Bracket Faceplate easily mounts to standard electrical box single-gang US size mud rings and enables installation of Wi-Fi ceiling mount brackets.

Low Profile

Low-profile angled design eases patch cord routing and helps maintain bend radius.

Aesthetic Appearance

White power-coat finish blends into ceiling. Faceplate mounts connectivity under WAP for a clean installation appearance.

Future Ready

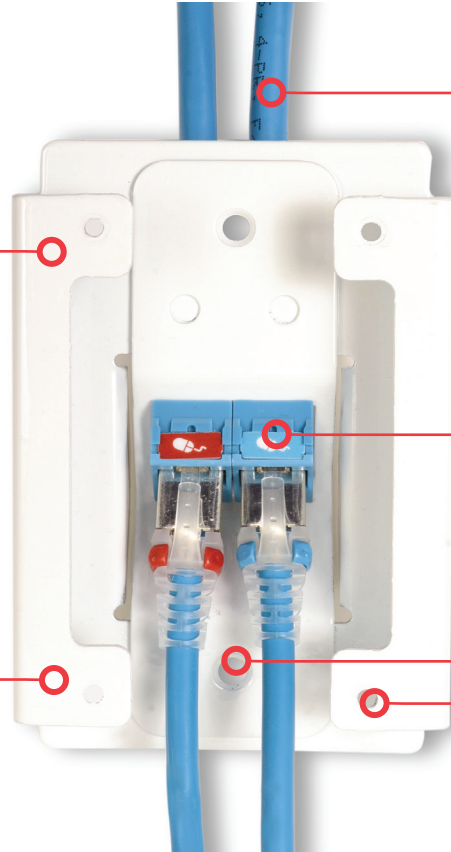
Supports two Category 6A outlets as recommended to achieve maximum throughput of advanced 802.11ac/ax Wi-Fi.

Installation Flexibility

MAX or Z-MAX outlets can be installed from front or rear.

Easy installation

Mounting holes line up with standard single-gang mud rings and Wi-Fi ceiling mount brackets.



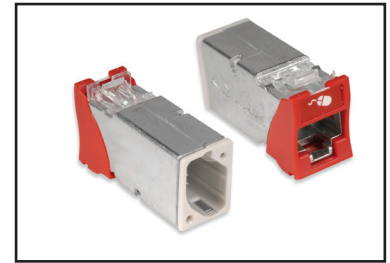
Ceiling Bracket Ready

The WiFi plate is compatible with many of the top AP manufacturers ceiling brackets; including Cisco, Aruba and Juniper Mist.



Simple and Effective

Low-profile mounting option with built-in connectivity and patch cord routing for fast, easy Wi-Fi deployments.



High Performance

Accommodates Z-MAX Category 6A shielded outlets with PowerGUARD™ technology for advanced high-speed Wi-Fi and superior PoE support.

Product Information

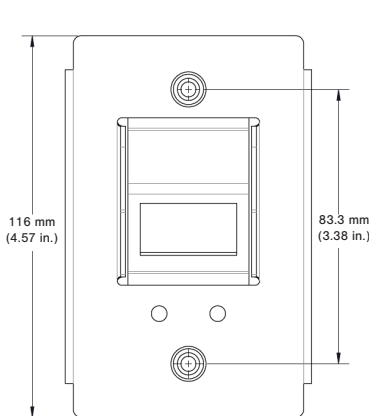
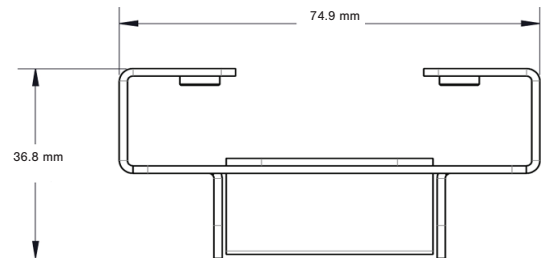
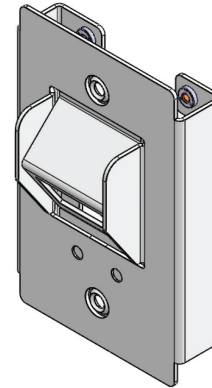
Ordering Information

Part Number **Description**

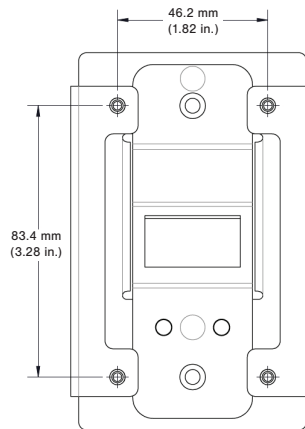
MX-WB1-02-02..... MAX 2-Port Wi-Fi Access Point Bracket Faceplate, White

SPECIFICATIONS

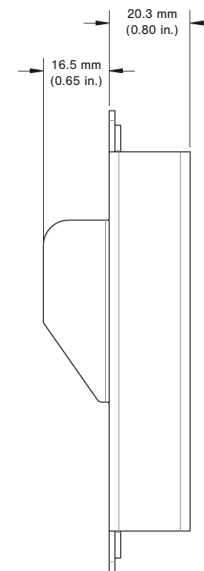
Length	116mm (4.57 in.)
Width	74.9 mm (2.95 in.)
Height	36.8 mm (1.45 in.)
Material	Cold rolled steel
Material Compliance	RoHS, lead free, halogen free, PVC free
Finish	White Powder Coat
Color	White (RAL 9003)
Compliance	UL 1863
Outlet Compatibility	TERA®, Z-MAX® Hybrid UTP or Shielded, MAX® Flat UTP Outlets, MAX Blanks
Device Compatibility	Cisco network device mounting bracket: AIR-AP-BRACKET-2
	Juniper Mist (all indoor AP's) removable bracket APBR-U
	Aruba Wall/Ceiling mount bracket such as: AP-270-MNT-H2 AP-220-MNT-W1W
	Additional models may also be compatible. See mounting hole dimensions below



Mud Ring Mounting Holes



Wi-Fi Bracket Mounting Holes
(Threaded 6 - 32 Holes)



Side View

Because we continuously improve our products, Siemon reserves the right to change specifications and availability without prior notice.

North America
P: (1) 860 945 4200

Asia Pacific
P: (61) 2 8977 7500

Latin America
P: (571) 657 1950/51/52

Europe
P: (44) 0 1932 571771

China
P: (86) 215385 0303

India Middle East
P: (971) 4 3689743

Siemon Interconnect Solutions
P: (1) 860 945 4213
www.siemon.com/SIS