

Fiber Outlet Box (FOB2)

Simon's low-profile Fiber Outlet Box (FOB) is the optimal solution for bringing fiber to the desk. The FOB2 offers a well-defined method for managing fiber cabling at the work area by providing a connection point for up to 12 fibers (or 6 coaxial) connectors utilizing slide-in bezels. A single gang faceplate can be mounted to the FOB2 base and accommodate up to six MAX^{CS} modules or two CT^{CS} Couplers.



PATENTED



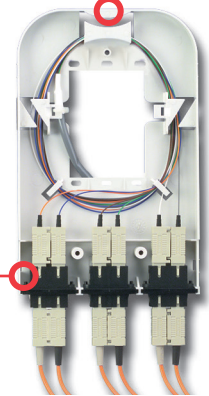
Slim tapered design hugs the wall, minimizing disturbance

Cover snaps on and off of the base. Screw holes are provided (concealed beneath identification labels) to secure cover to base, if desired

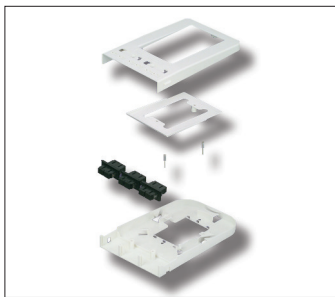
Angled/arched slots in fiber managers fully retain the fibers strands while facilitating loading

Extended cover version conceals and protects the externally mated fiber connectors

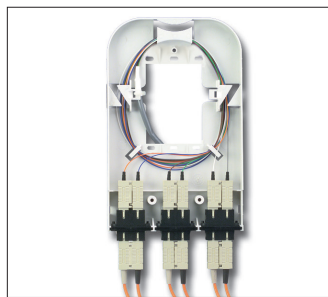
Slide-in adapter bezels allow for easy installation and removal and are polarized to assure that adapter keyways are always facing up



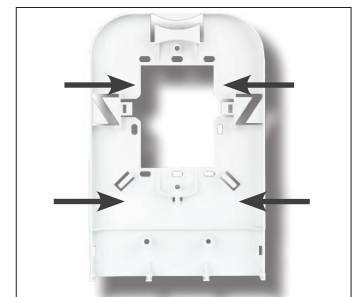
ST, SC, MT-RJ or LC or coaxial fiber bezels can be mounted at the bottom of the box



The unique design allows snap-on cover to be removed to access fiber connections without disturbing the faceplate connections (and vice versa)

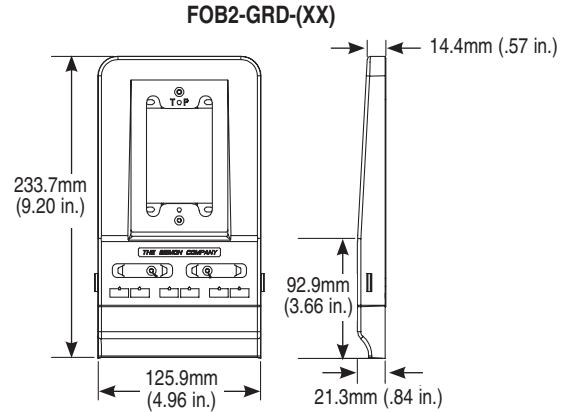
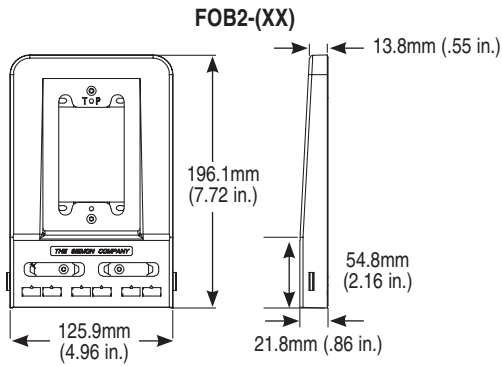


The base of the FOB2 provides storage and management of up to 1 meter of slack for as many as 6 fibers



Mounting holes allow FOB2 to be mounted to both single and double gang U.S. wall outlets as well as single gang European outlets

Ordering Information



FOB2-(XX) Includes base, cover, designation labels, clear label covers, mounting hardware, cable ties, icons, and three blank bezels

FOB2-GRD-(XX)..... Includes base, extended cover, designation labels, clear label covers, mounting hardware, cable ties, icons, and three blank bezels



Use (XX) to specify color: 01 = black, 02 = white, 80 = light ivory

Fiber Bezels



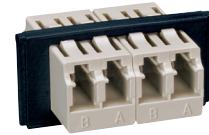
FOB-BZL-MT1-01
1 Duplex MT-RJ adapter,
(2 fibers)



FOB-BZL-MT-01
2 Duplex MT-RJ adapter,
(4 fibers)



FOB-BZL-LC(X)1-01
1 Duplex LC adapter,
(2 fibers)



FOB-BZL-LC(X)-01
1 Duplex LC adapter,
(4 fibers)



FOB-BZL-SC-01
Duplex SC adapter,
(2 fibers)



FOB-BZL-SA-01
Duplex SA adapter,
(2 fibers)



FOB-BZL-BL01
Blank bezel

Use (X) to specify LC adapter color: blank = beige, U = blue

Note: All fiber adapters are "universal" to support both multimode and singlemode fiber connectors.

MAX®, LightSystem® and XGLO™ are trademarks of Siemon

For related product information request Spec Sheet(s):

MAX® Series Modular Faceplate (PROD-SS-MXF)
MT-RJ Connector (PROD-SS-MTR)
LC Connector Products (PROD-SS-LCC)
SC and ST Fiber Connectors (PROD-SS-SFC)
LightSystem® Jumpers & Pigtails (PROD-SS-FJ1)
XGLO™ Jumpers & Pigtails (PROD-SS-LOF)
LightSpeed® Fiber Termination Kit (PROD-SS-FTK)

Because we continuously improve our products, Siemon reserves the right to change specifications and availability without prior notice.

North America

P: (1) 860 945 4200

Asia Pacific

P: (61) 2 8977 7500

Latin America

P: (571) 657 1950/51/52

Europe

P: (44) 0 1932 571771

China

P: (86) 215385 0303

India Middle East

P: (971) 4 3689743

Siemon Interconnect Solutions

P: (1) 860 945 4213
www.siemon.com/SIS

WWW.SIEMON.COM

