

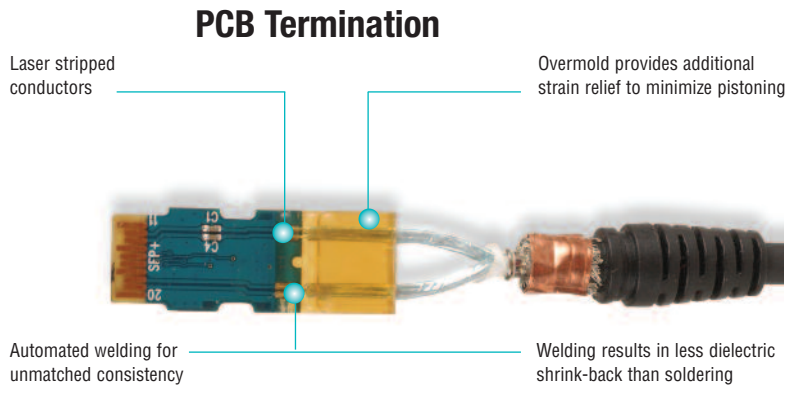
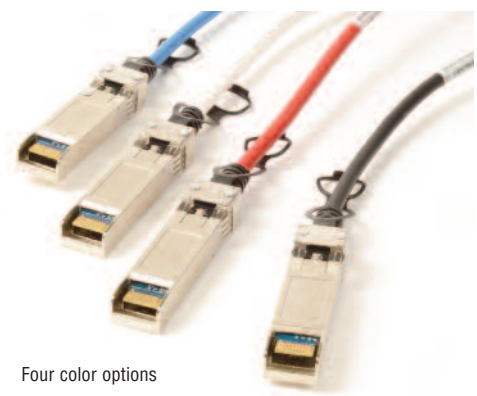
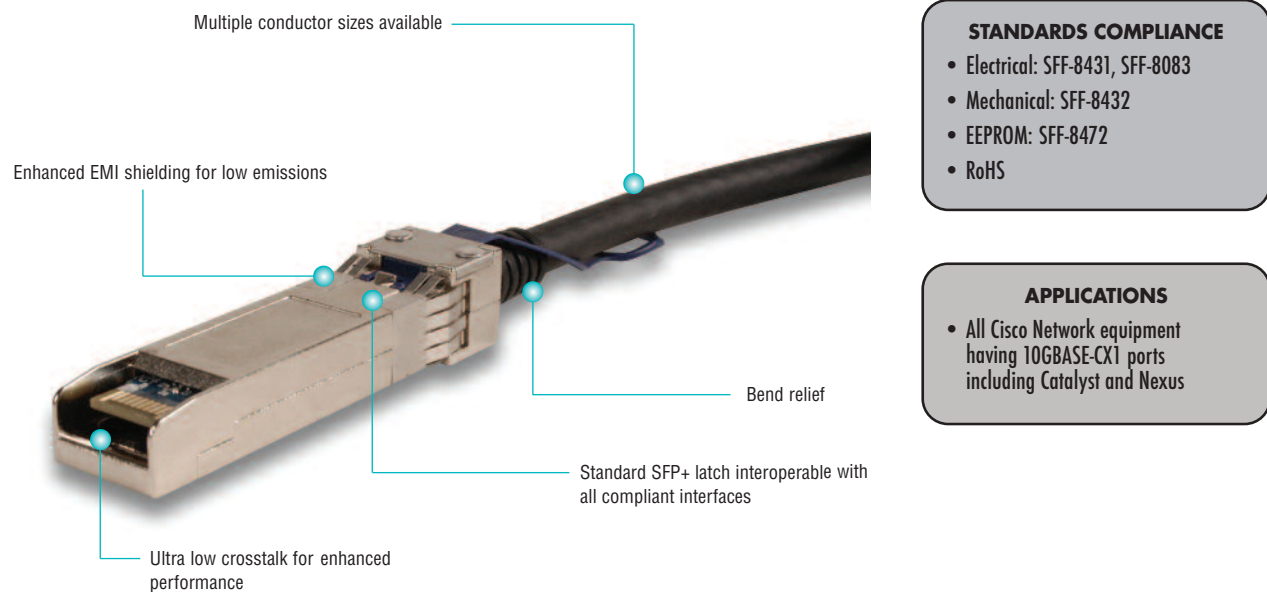
# SFP+ 10G Cisco Compatible Active and Passive Copper Cable Assemblies

Cisco Compatible SFP+ cables from Siemon were developed specifically as a cost-effective and lower-power alternative to optical modules for short reach links in high-speed interconnect applications such as high-performance computing (HPC), enterprise networking including top-of-rack switching and network storage markets. The assemblies support data transfer rates up to 10+ Gb/s per lane, meeting or exceeding current standards specifications.

Cisco Compatible SFP+ active and passive copper cable assemblies are programmed specifically to work with Cisco equipment. When these cables are plugged into Cisco equipment they will not trigger the warning message that a non-Cisco transceiver has been detected. These cables do not violate Cisco's warranty.

These SFP+ fully-shielded assemblies combine twin-axial shielded cable configuration with robust die cast housings for enhanced support of high frequency data rates. These SFP+ assemblies are impedance matched to ensure interoperability and minimize EMI leakage through their fully-shielded design.

The active cables use signal processing within the connector back shells to extend the length that copper cables can reach beyond the limits of passive copper solutions.



"Cisco" is a registered trademark of Cisco and/or its affiliates.

# Product Information

## PERFORMANCE SPECIFICATIONS

Electrical	
Min. Dielectric Withstand Voltage	300 VDC
Insulation Resistance	1000 Mohms
Current Rating	0.5 Amp Min/Signal Contact
Power Consumption (active cables only)	700mw Max
General	
Operating Temperature	-10 to 70° C (32 to 15° F)
Flammability Rating	UL 94 V-0
Green Features	RoHS, Lead-Free
Shield	Braid/Foil
Marking	Mfg Name, Part #, Date Code

**Color Options Available:**

## Ordering Information:

SFP+ Passive/Active Copper Cable Assemblies

Part Number (Black)	Part Number (Colored)	Part Number (LS0H)	Length	Gauge	Type
SFPH10GBCU0.3MS	SFPH10GB0.3MS(XX)	SFPH10GB0.3M(XX)L	0.3m (1 ft.)	30	Passive
SFPH10GBCU0.5MS	SFPH10GB0.5MS(XX)	SFPH10GB0.5M(XX)L	0.5m (1.6 ft.)	30	Passive
SFPH10GBCU1MS	SFPH10GB1MS(XX)	SFPH10GB1.0M(XX)L	1m (3.3 ft.)	30	Passive
SFPH10GBCU1.5MS	SFPH10GB1.5MS(XX)	SFPH10GB1.5M(XX)L	1.5m (4.9 ft.)	30	Passive
SFPH10GBCU2MS	SFPH10GB2MS(XX)	SFPH10GB2.0M(XX)L	2m (6.6 ft.)	30	Passive
SFPH10GBCU2.5MS	SFPH10GB2.5MS(XX)	SFPH10GB2.5M(XX)L	2.5m (8.2 ft.)	30	Passive
SFPH10GBCU3MS	SFPH10GB3MS(XX)	SFPH10GB3.0M(XX)L	3m (9.8 ft.)	30	Passive
SFPH10GBCU3.5MS	SFPH10GB3.5MS(XX)	SFPH10GB3.5M(XX)L	3.5m (11.5 ft.)	30	Passive
SFPH10GBCU4MS	SFPH10GB4MS(XX)	SFPH10GB4.0M(XX)L	4m (13.1 ft.)	26	Passive
SFPH10GBCU5MS	SFPH10GB5MS(XX)	SFPH10GB5.0M(XX)L	5m (16.4 ft.)	24	Passive
SFPH10GBACU7MS	SFPH10GBA7MS(XX)	SFPH10GBA7M(XX)L	7m (23.0 ft.)	28	Active
SFPH10GBACU10MS	SFPH10GBA10MS(XX)	SFPH10GBA10M(XX)L	10m (32.8 ft.)	28	Active

Use (XX) to specify color: 01 = Black, 02 = White, 03 = Red, 06 = Blue

## Colour-Coded Cable Clips:

Our color-coded cable clips are designed to be highly visible, have a secure fit to the cable and easily field attachable to Siemon SFP+ cables. With 8 available colors to choose from, these color-coded cable clips provide Data Center Administrators the ability to customize their cables to clearly differentiate and identify various networks.

**Part#**                      **Description**

CLIP-CBL-50-(XX)....Color-coded cable clip, 30 and 28 AWG, bag of 25 clips  
 CLIP-CBL-62-(XX)....Color-coded cable clip, 26 and 24 AWG, bag of 25 clips

Use (XX) to specify color:  
 02 = White, 03 = Red, 04 = Grey, 05 = Yellow, 06 = Blue, 07 = Green, 08 = Violet, 09 = Orange



Because we continuously improve our products, Siemon reserves the right to change specifications and availability without prior notice.

<b>Worldwide Headquarters</b> North America Watertown, CT USA Phone (1) 860 945 4200	<b>Regional Headquarters</b> Europe Russia Africa Chertsy, Surrey, England Phone (44) 0 1932 571771	<b>Regional Headquarters</b> China Shanghai, P.R. China Phone (86) 215385 0303	<b>Regional Headquarters</b> Latin America Bogota, Colombia Phone (571) 657 1950/51/52	<b>Regional Headquarters</b> India Middle East Dubai, United Arab Emirates Phone (971) 4 3689743	<b>Regional Headquarters</b> Asia Pacific Sydney, Australia Phone (86) 21 5385 0303	<b>Siemon Interconnect Solutions</b> Watertown, CT USA Phone (1) 860 945 4213 US www.siemon.com/SIS
---	--	---	---	---	--	--

Plug	
Backshell Material	Nickel-Plated Zinc Diecast
Contact Material	PCB with Gold-Plated Pads
Latch	Positive Latching w/ Pull
Insertion Force	30N (6.7 lbf.) Max
Withdrawal Force	20N (4.5 lbf.) Max
Retention Force	90N (20.2 lbf.) Max
Durability	50 Cycles Min
Cable	
Conductor	Solid
Wire Gauge	30 AWG to 24 AWG
Impedance	100± 5 ohms
Construction	Twinaxial
Cable OD	30 AWG = 4.5mm (0.18 in.)
	28 AWG = 4.7mm (0.19 in.)
	24 AWG = 6.2mm (0.24 in.)
Jacket Type	PVC or LS0H
Bend Radius	5X Cable OD