

Base 12 Next Generation MTP to MTP Trunks Europe - Euro Class Dca, Cca

Siemon's Next Generation MTP to MTP trunks are designed to achieve 45kg (99.2 lbs.) pull strength to handle more aggressive pathway environments. They come with a foamed zipper pulling eye for quick removal saving on installation time and are reusable if relocation of a trunk is required after the initial installation. They are available in 12/24 fiber counts and Low Loss options only.

Low-Loss Performance

Low-loss performance of 0.20dB for multimode and 0.60dB for singlemode support multiple mated connections for flexibility while remaining within the loss budget.

Multiple Fiber Types

Available in multimode (laser optimized 50/125 OM3 and OM4) and singlemode in 12 or 24 fiber counts with either A, B or C polarity and plenum, riser or LSOH jacket types.

Handles Aggressive Pathway Environments

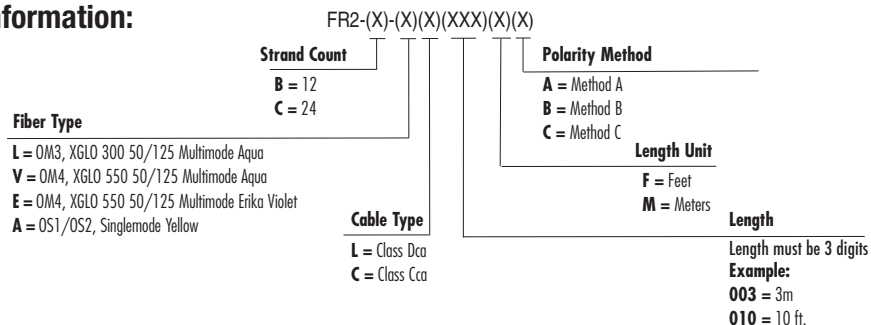
Integrated breakout and zipper pulling eye work together to achieve 45kg (99.2 lbs.) tensile pull strength.

Flame Standards, CPR Qualification

LSHF-FR (FRNC)

- IEC 60332-2, IEC 60754-1, IEC 60754-2, IEC 61034
- EN 50575, Class Eca, Dca, Cca s1a, d1, a1

Ordering Information:



CABLE — Optical and Physical Specifications

Cable Type	Multimode		Singlemode
	XGLO 50/125 OM3 (850/1300nm)	XGLO 50/125 OM4 (850/1300nm)	XGLO (1310/1383/1550nm)
Fiber Cable Attenuation MAX (db/km)	3.0/1.0	3.0/1.0	0.4/0.4/0.3*
LED Bandwidth, MIN (MHz/km)	1500/500	3500/500	N/A
Effective Modal Bandwidth, MIN (MHz/km)	2000	4700	N/A
Cable Outer Jacket, Color (Per TIA-598-C)	Aqua	Aqua	Yellow

* XGLO® Singlemode fiber meets low water peak specifications per ITU-T G.652.C

CABLE — Optical and Physical Specifications (Nominal)

Jacket Type	Fiber Strand Count	Cable Diameter mm (in.)	Min Bend Radius Operational mm (in.)	Min Bend Radius Installation mm (in.)	Max Pulling Eye Diameter mm (in.)	*Required Duct Diameter mm (in.)
LSOH D _{ca}	12	3.0 (0.12)	30 (1.2)	45 (1.8)	44.5 (1.75)	69.9 (2.75)
	24	3.8 (0.15)	38 (1.5)	57 (2.2)	44.5 (1.75)	69.9 (2.75)
LSOH C _{ca}	12	3.0 (0.12)	30 (1.2)	60 (2.3)	44.5 (1.75)	69.9 (2.75)
	24	3.6 (0.14)	30 (1.2)	72 (2.8)	44.5 (1.75)	69.9 (2.75)

*Pulling eye assembly shall be capable of passing through these minimum duct diameter requirements during product installation.
Pulling eye max pull force 18.1kg (40lbs)

CONNECTORS — Optical Specifications

Fiber Type	Performance Class	Max Insertion Loss (db)		Min Return Loss (db)	
		MTP	LC	MTP	LC
10G 50/125µm Multimode OM3	XGLO 300	0.40	0.25	20	30
10G 50/125µm Multimode OM4	XGLO 550	0.40	0.25	20	30
Laser Optimized 50/125 Multimode OM3	XGLO 300 Low Loss	0.20	0.15	20	30
Laser Optimized 50/125 Multimode OM4	XGLO 550 Low Loss	0.20	0.15	20	30
Singlemode OS2	XGLO	0.60	0.40	20	55

CONNECTORS — Physical Specifications

Connector Type	IEC Intermateability Compliance	TIA Intermateability Compliance	Housing Color		Boot Color	
			SM	MM-5L/5V	SM	MM
12-Fiber MTP	IEC 61754-7	TIA/EIA-604-5	Green	Aqua	Black	Black

Because we continuously improve our products, Siemon reserves the right to change specifications and availability without prior notice.

**Worldwide Headquarters
North America**
Watertown, CT USA
Phone (1) 860 945 4200

**Regional Headquarters
Europe Russia Africa**
Chertsy, Surrey, England
Phone (44) 0 1932 571771

**Regional Headquarters
China**
Shanghai, P.R. China
Phone (86) 215385 0303

**Regional Headquarters
Latin America**
Bogota, Colombia
Phone (571) 657 1950/51/52

**Regional Headquarters
India Middle East**
Dubai, United Arab Emirates
Phone (971) 4 3689743

**Regional Headquarters
Asia Pacific**
Sydney, Australia
Phone (61) 2 8977 7500

**Siemon Interconnect Solutions
Watertown, CT USA**
Phone (1) 860 945 4213 US
www.siemon.com/SIS