

FIBER OUTLET BOX (FOB2)

Siemon's low-profile Fiber Outlet Box (FOB) is the optimal solution for bringing fiber to the desk. The FOB2 offers a well-defined method for managing fiber cabling at the work area by providing a connection point for up to 12 fibers (or 6 coaxial) connectors utilizing slide-in bezels. A single gang faceplate can be remounted to the FOB2 base and accommodate up to six MAX® modules or two CT® Couplers



PATENTED

WORK AREA



Slim tapered design hugs the wall, minimizing disturbance

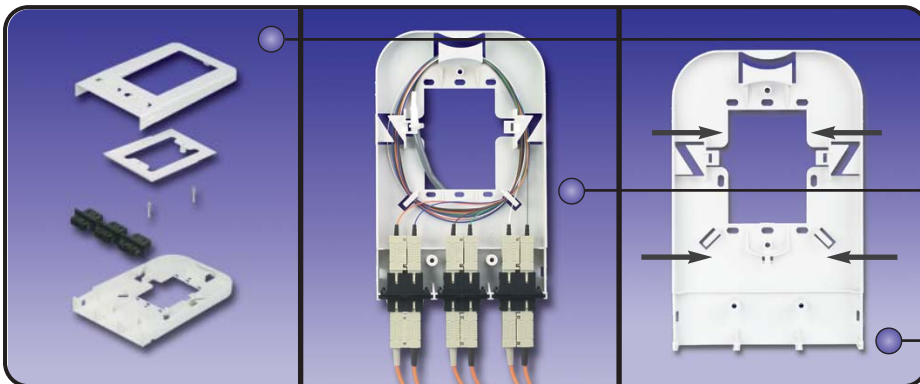
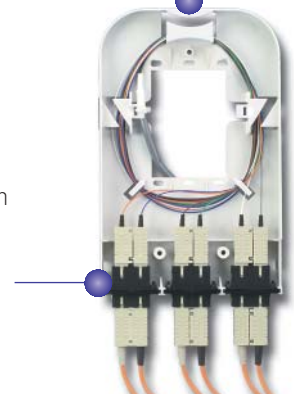
Cover snaps on and off of the base. Screw holes are provided (concealed beneath identification labels) to secure cover to base, if desired

Extended cover version conceals and protects the externally mated fiber connectors

Angled/arched slots in fiber managers fully retain the fibers strands while facilitating loading

ST, SC, MTRJ or LC or coaxial fiber bezels can be mounted at the bottom of the box

Slide-in adapter bezels allow for easy installation and removal and are polarized to assure that adapter keyways are always facing up



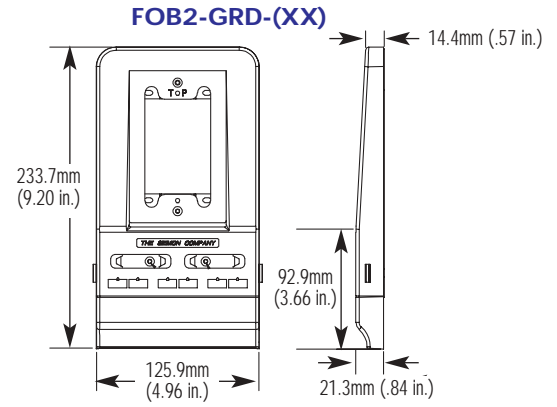
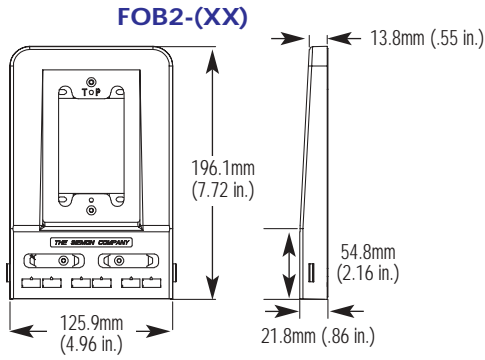
The unique design allows snap-on cover to be removed to access fiber connections without disturbing the faceplate connections (and vice versa)

The base of the FOB2 provides storage and management of up to 1 meter of slack for as many as 6 fibers

Mounting holes allow FOB2 to be mounted to both single and double gang U.S. wall outlets as well as single gang European outlets

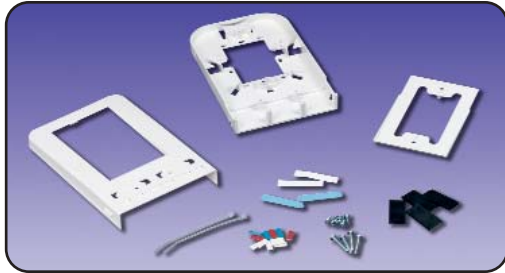
PRODUCT INFORMATION

WORK AREA



FOB2-(XX) Includes base, cover, designation labels, clear label covers, mounting hardware, cable ties, icons, and three blank bezels

FOB2-GRD-(XX) Includes base, extended cover, designation labels, clear label covers, mounting hardware, cable ties, icons, and three blank bezels



Use (X) to specify color: 01 = black, 02 = white, 80 = light ivory

Fiber Bezels:



FOB-BZL-MT1-01
1 Duplex MT-RJ adapter,
(2 fibers)



FOB-BZL-MT-01
2 Duplex MT-RJ adapter,
(4 fibers)



FOB-BZL-LC(X)1-01
1 Duplex LC adapter,
(2 fibers)



FOB-BZL-LC(X)-01
1 Duplex LC adapter,
(4 fibers)



FOB-BZL-SC-01
Duplex SC adapter,
(2 fibers)



FOB-BZL-SA-01
Duplex SA adapter,
(2 fibers)



FOB-BZL-BL01
Blank bezel

Use (X) to specify LC adapter color: blank = beige, U = blue
Note: All fiber adapters are "universal" to support both multimode and singlemode fiber connectors

Because we are continuously improving our products, The Siemon Company reserves the right to change specifications and availability without prior notice.
MAX®, LightSystem® and XGLO™ are trademarks of The Siemon Company

For related product information request Spec Sheet(s):
MAX® Series Modular Faceplate (PROD-SS-MXF)
MT-RJ Connector (PROD-SS-MTR)
LC Connector Products (PROD-SS-LCC)
SC and ST Fiber Connectors (PROD-SS-SFC)
LightSystem® Jumpers & Pigtails (PROD-SS-FJ1)
XGLO™ Jumpers & Pigtails (PROD-SS-LOF)
LightSpeed® Fiber Termination Kit (PROD-SS-FTK)

The Americas
Watertown, CT USA
Phone (1) 860 945 4200

Europe/Middle East/Africa
Surrey, England
Phone (44) 0 1483 480040

Asia/Pacific
Shanghai, P.R. China
Phone (86) 21 6390 6778

WWW.SIEMON.COM

