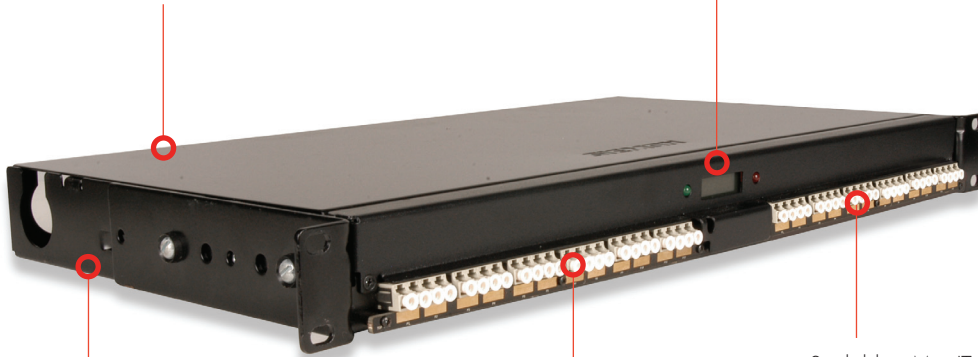


# MapIT G2® Smart Fiber Enclosure

The MapIT G2 Smart Fiber Enclosures are an industry first in intelligent infrastructure management. Available in both MTP to LC plug and play and LC to LC field terminated versions, the enclosures feature on panel intelligence and a combination of LEDs and a backlit LCD to guide technicians. The LCD can be used to display patch cord trace and connectivity diagnostic information. It can also be used to troubleshoot network issues, which can drastically reduce downtime and increase productivity. Also, since it is actively connected to your database, you could even use it as a virtual label, dynamically displaying panel and port information directly from the MapIT IM software.

High Performance - Available in 40 and 100Gb/s-ready OM4 MTP plug and play versions as well as multimode and singlemode LC field-terminated connectivity

Smart — on panel intelligence tracks fiber jumper connections and drives LCD/LEDs for tech guidance

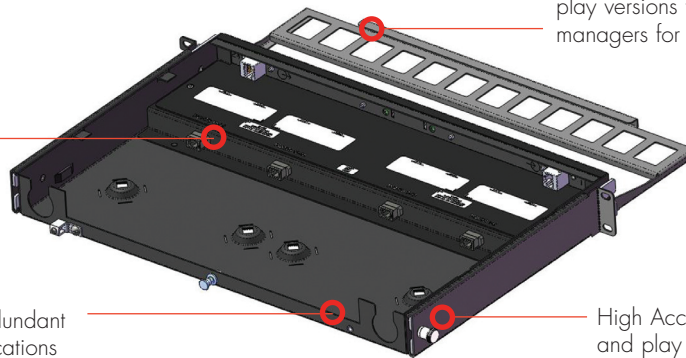


Green — MapIT G2 uses 78% less power than competing systems and run cool for reduced heat generation

High Density - Up to 48 fibers in a single IU space

Scalable - MapIT G2 Smart Enclosures can support systems ranging from small, two enclosure remote sites to large 1000 + panel data centers

Plug and Play - Multi-fiber MTP connectivity provides ultra-fast deployment in mission-critical data centers



Fiber Management - MTP plug and play versions feature integrated fiber managers for secure jumper routing

Reliable - Resilient redundant power and communications increases system reliability

High Accessibility - Plug and play versions feature sliding drawer for easy access to connectivity

## Product Information



### MapIT® G2 Smart Fiber Enclosures

#### MTP to LC Plug and Play Fiber Enclosure - SMTP

- M-SMTP-LC5V4801 .....MapIT G2 LC 48-fiber LC-to-MTP Smart Fiber Enclosure, black, Multimode, OM4  
Includes 24 duplex MM,LC adapters, cable ties, panel ground lug, fiber management clips, front management bar, label holder and labels
- M-SMTP-LCSM4801 .....MapIT G2 LC 48-fiber LC-to-MTP Smart Fiber Enclosure, black, Singlemode, OS2  
Includes 24 duplex SM, LC adapters, cable ties, panel ground lug, fiber management clips, front management bar, label holder and labels SM, LC

#### LC to LC Fiber Enclosure - SFE

- M-SFE-LC48-01 .....MapIT G2 LC 48-fiber Smart Fiber Enclosure, black, Multimode  
Includes 24 duplex MM, LC adapters, cable ties, panel ground lug, fiber management clips, label holder and labels
- M-SFE-LC48-01C .....MapIT G2 LC 48-fiber Smart Fiber Enclosure, black, Singlemode  
Includes 24 duplex SM, LC adapters, cable ties, panel ground lug, fiber management clips, label holder and labels

### MapIT® G2-Ready Fiber Enclosures

#### MTP to LC Plug and Play Fiber Enclosure

- M-MTP-LC5V48-01 .....MapIT G2-Ready LC-to-MTP Enclosure, black, Multimode, OM4  
Includes 24 duplex MM/LC adapters, cable ties, panel ground lug, fiber management clips, front management bar, label holder and labels

#### LC to LC Fiber Enclosure

- M-FE-LC48-01\* .....MapIT G2-Ready Enclosure, black, Multimode\*  
Includes 24 duplex LC adapters, cable ties, panel ground lug, fiber management clips, label holder and labels

#### Upgrade Kit for MapIT G2-Ready Fiber Enclosures

- M-SFE-PCBA-24 .....MapIT G2 Upgrade Kit for MapIT G2 Ready Fiber Enclosure. (Upgrade kit includes 24 MapIT IM Port Licenses, PCB with built-in sensor pads, LED's and LCD display, new front panel cover, additional mounting hardware & components with instructions)

\*Singlemode available, contact Siemon for more information

# Product Information

## Specifications

<b>Weight and Dimensions</b>	Height	44.45mm (1.75 in.)
	Width	482.6mm (19 in.)
	Depth	266.7mm (10.5 in.)
	Weight	2.27kg (5 lbs)
<b>Outlet Compatibility</b>	Panel type	48-fiber LC, multimode/singlemode compatible
	Number of Fibers/Ports	48-fiber (24 duplex connections/4 MTP*)
	Outlet Type	LC/MTP*
	Compatible Connectors	LC singlemode (blue) and multimode (beige)/12-fiber MTP*
<b>LCD Display</b>	Size	128 x 32 pixels
	Type	Graphic
	Backlight	White LED
	Timeout	User programmable 3 to 30 seconds
<b>Bus Connections</b>	Connection Type	RJ45
	Ports	1 IN, 1 OUT
	Protocol	RS485
	Control Cable Type	Category 5e solid, shielded
<b>Environmental</b>	Operating Temperature	0° to 45° C (32° to 113° F)
	Operating Humidity	Up to 90%, non-condensing
	Storage Temperature	-40° to 70° C (40° to 158° F)
	Storage Humidity	Up to 90%, non-condensing
<b>EMC</b>	FCC Part 15 (47 CFR 15) Class A, ICES-003 Class A, EN55022/CISPR 22 Class A, AS/NZS 3548 Class A, CCC.	
<b>EMC Immunity</b>	EN/IEC 61000 - 4-2 EN/IEC 61000 - 4-3 EN/IEC 61000 - 4-4 EN/IEC 61000 - 4-5	EN/IEC 61000 - 4-6 EN/IEC 61000 - 4-11
<b>Safety</b>	UL 60950-1-1st Ed (2003) - Information Technology Equipment Safety Part 1: General Requirements ACA TS 001, AS/NZS 3260	

\*Plug and Play SMTP version only.

# MapIT G2 SFE & SMTP Accessories

## MapIT G2 LC Jumpers & Accessories

### Multimode

M-J2-LCLC5L-XX) . . . . . LC-LC duplex jumper, MapIT G2 XGLO 50/125 multimode fiber, aqua jacket  
XX= Length in meters, 01 =1.4 m, 03 =3m

### Singlemode

M-J2-LCULCUL-XX) . . . . . LC-LC duplex jumper, MapIT G2 XGLO singlemode fiber, yellow jacket

### Category 5e Shielded Cable for Control Connections

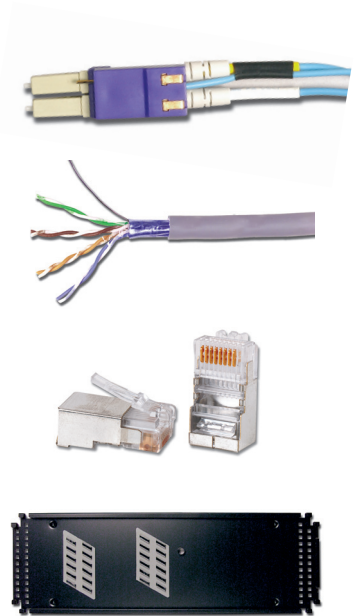
9A5R4-E1-(XX)-R1A .....Riser (CMR, CSA FT4) 305m (1000 ft.), Reel (US)  
9A5R4-E2 .....Riser (CMR, CSA FT4) Blue jacket, 305m (1000 ft.) Reel-in-Box (International)

### PS8-8 Shielded RJ45 Plugs

PS-8-8 .....8-position shielded modular plug with 8 contacts (compatible with Siemon and Tyco crimp tools)

### Splice Tray

TRAY-3 .....Standard splice tray for up to 24 fusion splices with sleeve protection.



*Because we continuously improve our products, Siemon reserves the right to change specifications and availability without prior notice.*

*MapIT®, MAX® and Z-MAX™ are trademarks of Siemon*

### For related product information request Spec Sheet(s):

- MapIT G2 Smart Patch Panel (PROD-SS-MAPG2PP)
- MapIT G2 Master & Dist. Control Panels (PROD-SS-MAPG2DCP)
- System 5e F/UTP Cable-US (PROD-SS-SYS5eFUTPCBLUS)
- Premium 5e F/UTP Cable-International (PROD-SS-CB5S)

Visit <http://www.siemon.com/us/MapITG2/software-roadmap.asp> to view our Software Roadmap Notice

**North America**  
Watertown, CT USA  
Phone (1) 860 945 4200 US  
Phone (1) 888 425 6165 Canada

**Europe/Middle East/Africa**  
Surrey, England  
Phone (44) 0 1932 571771

**Asia/Pacific**  
Shanghai, P.R. China  
Phone (86) 21 5385 0303

**Latin America**  
Bogota, Colombia  
Phone (571) 657 1950