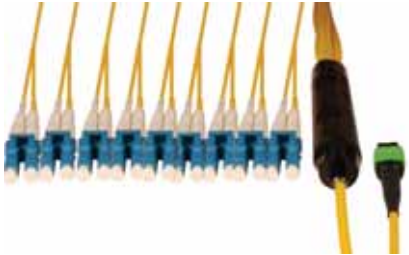


Plug and Play MTP[®] to LC Trunks

Utilizing high quality Siemon RazorCore cable, MTP to LC Trunks offer a connectivity transition from 12-fiber MTP connectors to duplex LC connectors. These may be implemented with Siemon's MTP Adapter Plates to provide flexible direct MTP to LC patching options over a wide a range of distances and infrastructure configurations.



Custom Configurations

Available from 12 to 144 fiber counts in increments of 12 fibers

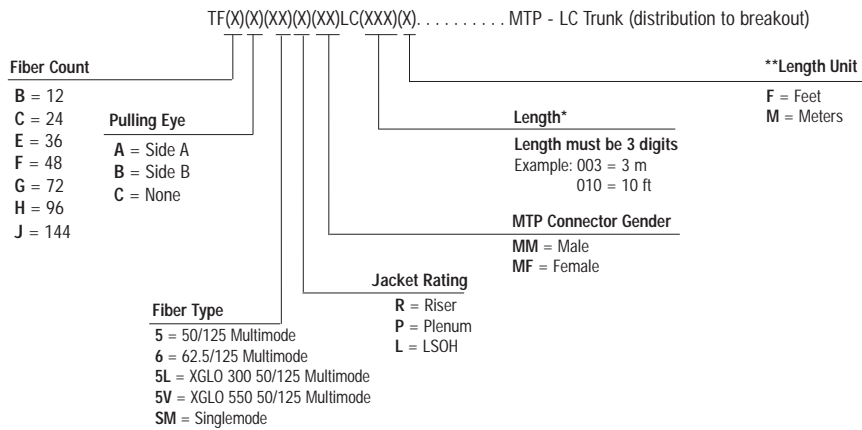
Multiple Fiber Types

Available in multimode (62.5/125, standard 50/125 and laser optimized 50/125) and singlemode. Jacket ratings in riser, plenum and LSOH

Protective Packaging

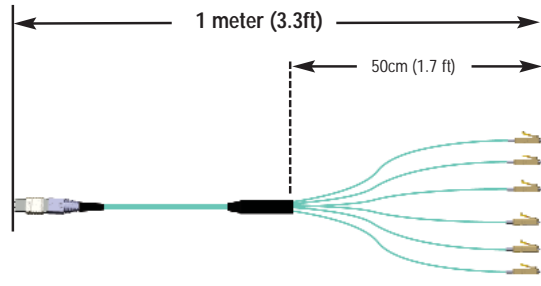
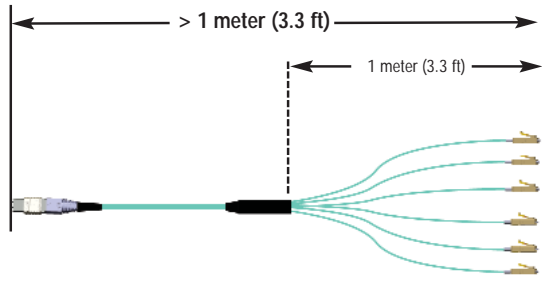
Dual shelf reel keeps connectivity protected during payout

Ordering Information



* Minimum ordering length is 1 meter (3.3ft)

*Ordering length is measured connector tip to connector tip.
Jacketed duplex LC legs offered in standard 1 meter (3.3 ft) length for lengths greater than 1 meter (3.3ft)



PRODUCT INFORMATION

Cable - Optical and Physical Specifications

Cable Type	Multimode				Singlemode
	LightSystem 62.5/125 (850/1300nm)	LightSystem 50/125 (850/1300nm)	XGLO 50/125 OM3 (850/1300nm)	XGLO 50/125 OM4 (850/1300nm)	XGLO (1310/1383/1550nm)
Fiber Cable Attenuation MAX (db/km)	3.5/1.0	3.5/1.0	3.0/1.0	3.0/1.0	0.4/0.4/0.3*
LED Bandwidth, MIN (MHz/km)	200/500	500/500	1500/500	3500/500	N/A
Effective Modal Bandwidth, MIN (MHz/km)	N/A	N/A	2000	4700	N/A
Cable Outer Jacket, Color (Per TIA-598-C)	Orange	Orange	Aqua	Aqua	Yellow

* XGLO® Singlemode fiber meets low water peak specifications per ITU-T G.652.C

Cable & Pulling Eye Assembly - Specifications

Fiber Strand Count	Cable Diameter mm (in)	Min Pulling Eye Bend Radius mm (in)	Max Pulling Eye Diameter mm (in)		*Required Duct Diameter mm (in)	Max Pull Force kg (lbs)
			MTP	LC/SC		
12	3.0 (.12)	380 (15)	3.81 (1.5)	44.5 (1.75)	69.9 (2.75)	18.1 (40)
24	3.8 (.15)	380 (15)	3.81 (1.5)	44.5 (1.75)	69.9 (2.75)	18.1 (40)
36	8.7 (.34)	380 (15)	3.81 (1.5)	63.5 (2.5)	69.9 (2.75)	18.1 (40)
48	8.7 (.34)	915 (36)	44.5 (1.75)	63.5 (2.5)	88.9 (3.5)	18.1 (40)
72	9.4 (.37)	915 (36))	44.5 (1.75)	63.5 (2.5)	88.9 (3.5)	18.1 (40)
96	13.2 (.52)	915 (36)	63.5 (2.5)	82.6 (3.25)	108.0 (4.25)	18.1 (40)
144	13.2 (.52)	915 (36)	63.5 (2.5)	82.6 (3.25)	108.0 (4.25)	18.1 (40)

* Pulling eye assembly shall be capable of passing through these minimum duct diameter requirements during product installation

Connectors - Optical Specifications

Fiber Type		Performance Class	Max Insertion Loss (db)		Min Return Loss (db)	
			MTP	LC/SC	MTP	LC/SC
Singlemode OS2	SM-LWP	XGLO	0.75	0.40	55	55
STD. 62.5/125µm Multimode	6MM	LightSystem	0.50	0.50	20	25
STD. 50/125µm Multimode	5MM	LightSystem	0.50	0.50	20	25
10G 50/125µm Multimode OM3	5L	XGLO 300	0.50	0.25	20	30
10G 50/125µm Multimode OM4	5V	XGLO 550	0.50	0.25	20	30

Connectors - Physical Specifications

Connector Type	IEC Intermateability Compliance	TIA Intermateability Compliance	Housing Color			Boot Color	
			SM	MM	MM-5L/5V	SM	MM
MTP	IEC 61754-7	TIA/EIA-604-5	Green	Beige	Aqua	Black	Black
LC	IEC 61754-20	TIA/EIA-604-10	Blue	Beige	Beige	White	White

The Americas

Watertown, CT USA
Phone (1) 860 945 4200 US
Phone (1) 888 425 6165 Canada

Europe/Middle East/Africa

Surrey, England
Phone (44) 0 1932 571771

Asia/Pacific

Shanghai, P.R. China
Phone (86) 21 6390 6778

Central & South America

Bogota, Colombia
Phone (571) 317 2121