

FIBRE OUTLET BOX (FOB2)

Siemon's low-profile Fibre Outlet Box (FOB) is the optimal solution for bringing fibre to the desk. The FOB2 offers a well-defined method for managing fibre cabling at the work area by providing a connection point for up to 12 fibres (or 6 coaxial) connectors utilizing slide-in bezels. A single gang faceplate can be mounted to the FOB2 base and accommodate up to six MAX® modules or two CT® Couplers



PATENTED

WORK AREA

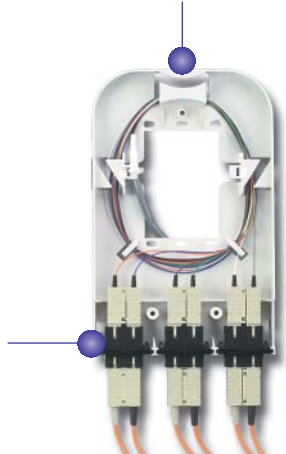


Slim tapered design

Cover snaps on and off of the base. Screw holes are provided (concealed beneath identification labels) to secure cover to base, if desired

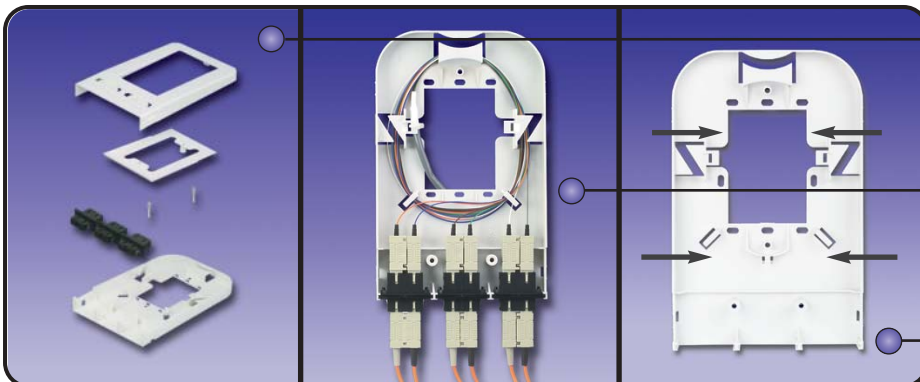
Extended cover version conceals and protects the externally mated fibre connectors

Angled/arched slots in fibre managers fully retain the fibres strands while facilitating loading



Slide-in adapter bezels allow for easy installation and removal and are polarized to assure that adapter keyways are always facing up

ST, SC, MTRJ or LC or coaxial fibre bezels can be mounted at the bottom of the box



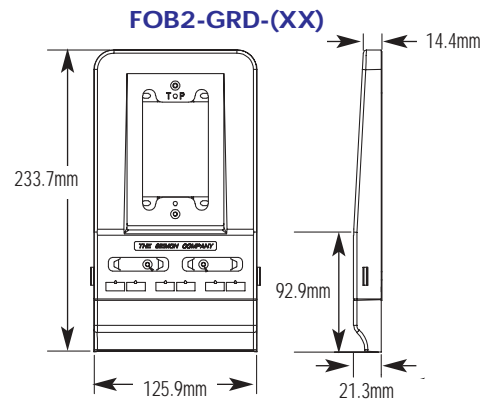
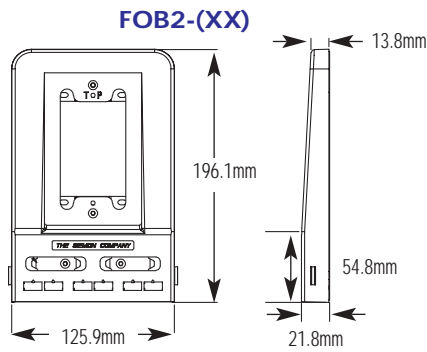
The unique design allows snap-on cover to be removed to access fibre connections without disturbing the faceplate connections (and vice versa)

The base of the FOB2 provides storage and management of up to 1 meter of slack for as many as 6 fibres

Mounting holes allow FOB2 to be mounted to both single and double gang U.S. wall outlets as well as single gang European outlets

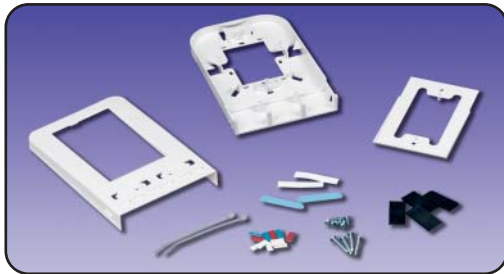
PRODUCT INFORMATION

WORK AREA



FOB2-(XX) Includes base, cover, designation labels, clear label covers, mounting hardware, cable ties, icons, and three blank bezels

FOB2-GRD-(XX) Includes base, extended cover, designation labels, clear label covers, mounting hardware, cable ties, icons, and three blank bezels



Use (X) to specify colour: 01 = black, 02 = white, 80 = light ivory

Fibre Bezels:



FOB-BZL-MT1-01
1 Duplex MT-RJ adapter,
(2 fibres)



FOB-BZL-MT-01
2 Duplex MT-RJ adapter,
(4 fibres)



FOB-BZL-LC(X)1-01
1 Duplex LC adapter,
(2 fibres)



FOB-BZL-LC(X)-01
1 Duplex LC adapter,
(4 fibres)



FOB-BZL-SC-01
Duplex SC adapter,
(2 fibres)



FOB-BZL-SA-01
Duplex SA adapter,
(2 fibres)



FOB-BZL-BL01
Blank bezel

Use (X) to specify LC adapter colour: blank = beige, U = blue
Note: All fibre adapters are "universal" to support both multimode and singlemode fibre connectors

Because we are continuously improving our products, The Siemon Company reserves the right to change specifications and availability without prior notice.
MAX®, LightSystem® and XGLO™ are trademarks of The Siemon Company

For related product information request Spec Sheet(s):
MAX® Series Modular Faceplate (PROD-SS-MXF)
MT-RJ Connector (PROD-SS-MTR)
LC Connector Products (PROD-SS-LCC)
SC and ST Fibre Connectors (PROD-SS-SFC)
LightSystem® Jumpers & Pigtails (PROD-SS-FJ1)
XGLO™ Jumpers & Pigtails (PROD-SS-LOF)
LightSpeed® Fibre Termination Kit (PROD-SS-FTK)

Siemon — EMEA HQ & UK
United Kingdom
Tel: +44 (0) 1483 480040

Siemon — France
Paris
Tel: +33 1 46 46 11 85

Siemon — Deutschland
Frankfurt
Tel: +49 (0) 69 97168 184

Siemon — Italia
Milano
Tel: +39 (02) 64 672 209

WWW.SIEMON.COM

