

CABLE TRAY RACK INSTALLATIONS



SIEMON™

www.siemon.com

Table of Contents

Safety Information	3
CTR Diagram	4
Hardware	5
Below Tray Installation Parallel	6
Below Tray Installation – Perpendicular	7
Side Wall Installation	8
Inside Tray Installation – Parallel	9
Rack Bonding	10
Notes	11



WARNING: Failure to follow this information can result in injury or death.



CAUTION: Failure to follow this information can lead to possible equipment damage.



NOTE: Clarifying information or comment.

Safety Information

- Read and understand all instructions for proper installation and use of this product as improper use may lead to serious injury or death.
- Before loading equipment on to the cable tray rack, be sure to torque all mounting hardware provided with the rack to a setting of 75in-lbs.
- The maximum load capacity of the cable tray rack should not exceed:
 - CTR-02-01 - 9kg (20lbs)
 - CTR-04-01 - 8kg (40lbs)
 - CTR-06-01 - 27kg (60lbs)
- The cable tray racks are intended to be installed in accordance with all applicable requirements of the National Electrical Code (NEC) and the local Authority Having

Jurisdiction (AHJ).

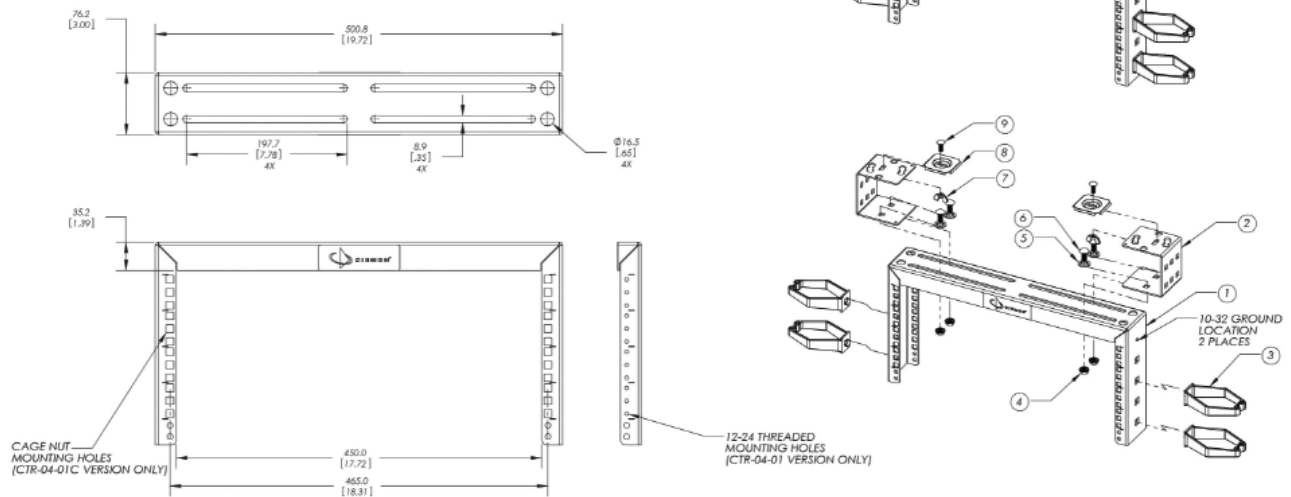
- The minimum spacings between the accessories and components and the cable tray rack shall be maintained for safe operation of the equipment when installed in accordance with the NEC.

CTR-04-01 Diagram

DRAWING

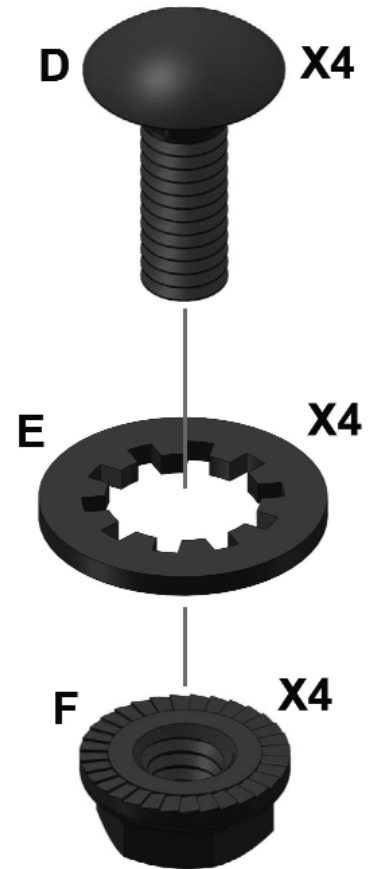
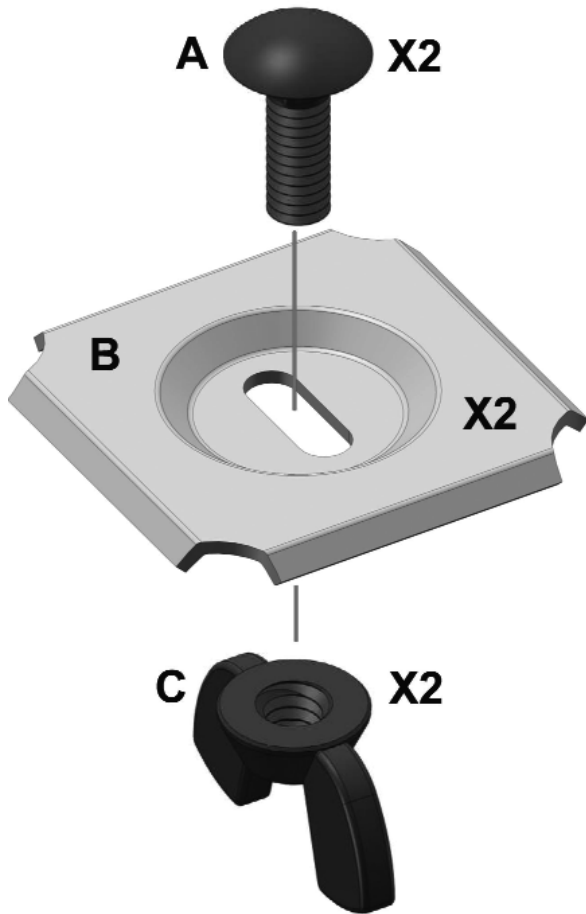
ITEM NO.	DESCRIPTION	QTY.
1	CABLE TRAY RACK FRAME, 4U	1
2	CABLE TRAY RACK MOUNTING BRACKET	2
3	PLASTIC CABLE HANGERS	4
4	FLANGE NUT	4
5	LOCKING TOOTH WASHER	4
6	CARRIAGE BOLT - LARGE	4
7	WING NUT	2
8	CABLE TRAY WASHER SPLICE - LARGE	2
9	CARRIAGE BOLT - SMALL	2
10	CABLE TRAY WASHER SPLICE - SMALL (NOT SHOWN)	2
11	GROUND LUG (NOT SHOWN)	1
12	CAGE NUTS (NOT SHOWN - CTR-04-01C VERSION ONLY)	16
13	INSTRUCTIONS (NOT SHOWN)	1

CTR-04-01 (X)



1. MATERIAL: FRAME & BRACKETRY - 12G CRS - SMOOTH BLACK POWDER COAT.
CABLE HANGERS - FLAME RETARDANT THERMOPLASTIC - BLACK.
2. REFERENCE PRODUCT INSTRUCTIONS FOR USE OF PRODUCT.
3. CONTACT A SIMON CO. CUSTOMER SERVICE REPRESENTATIVE FOR ADDITIONAL INFORMATION.

HARDWARE

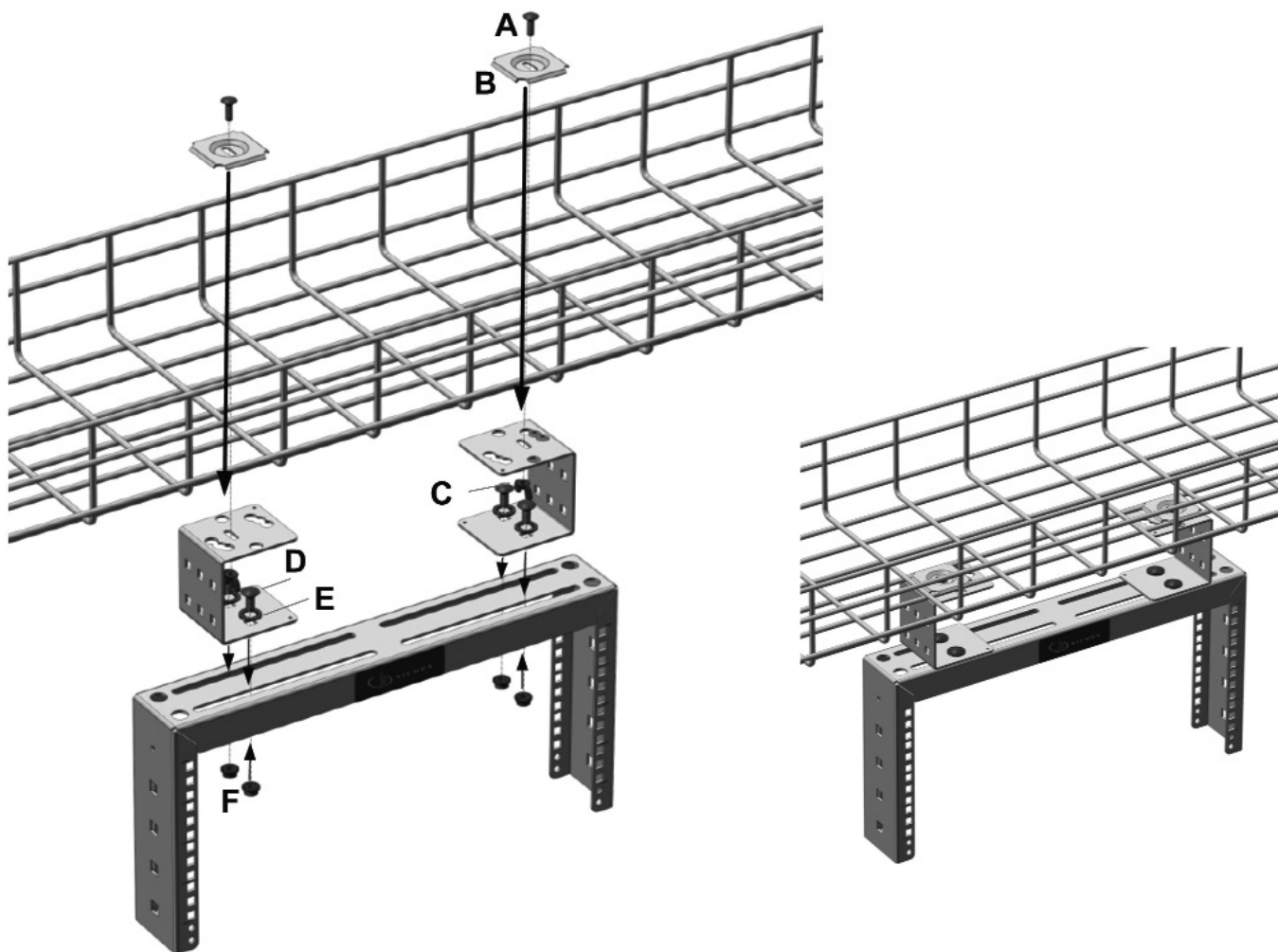


TOOLS REQUIRED

1/2" Socket Wrench

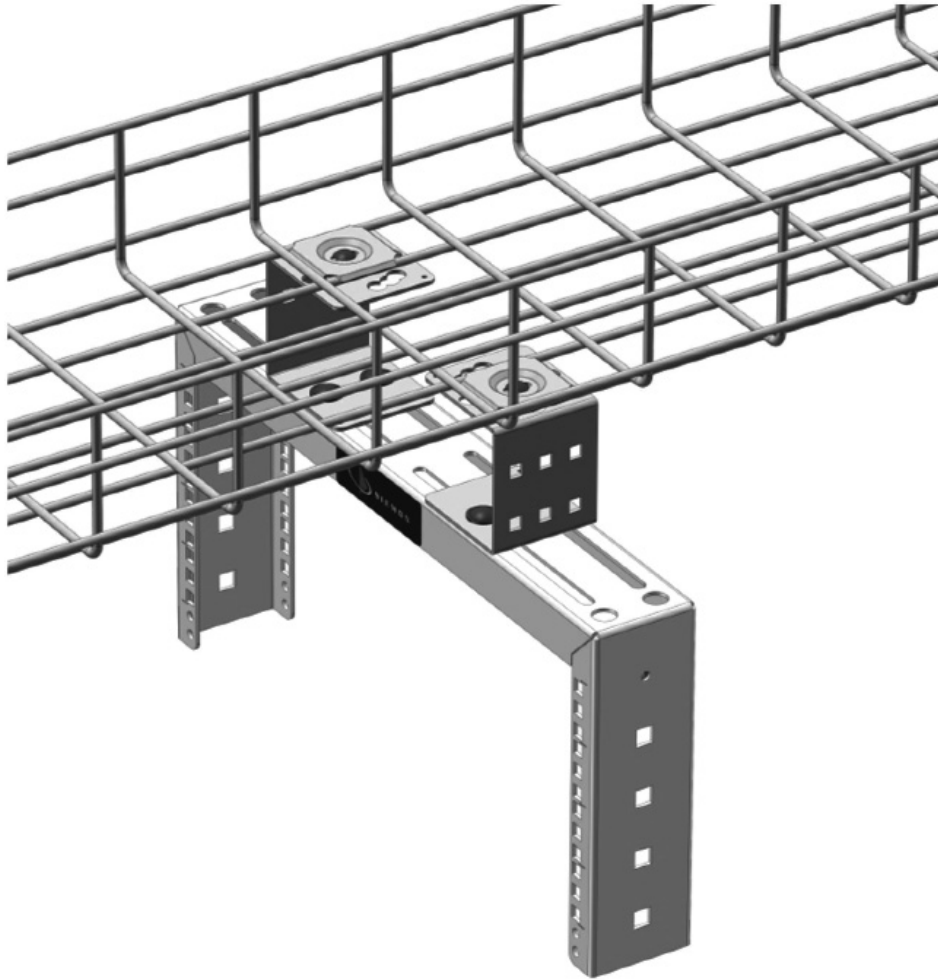


PARALLEL – BELOW CABLE TRAY



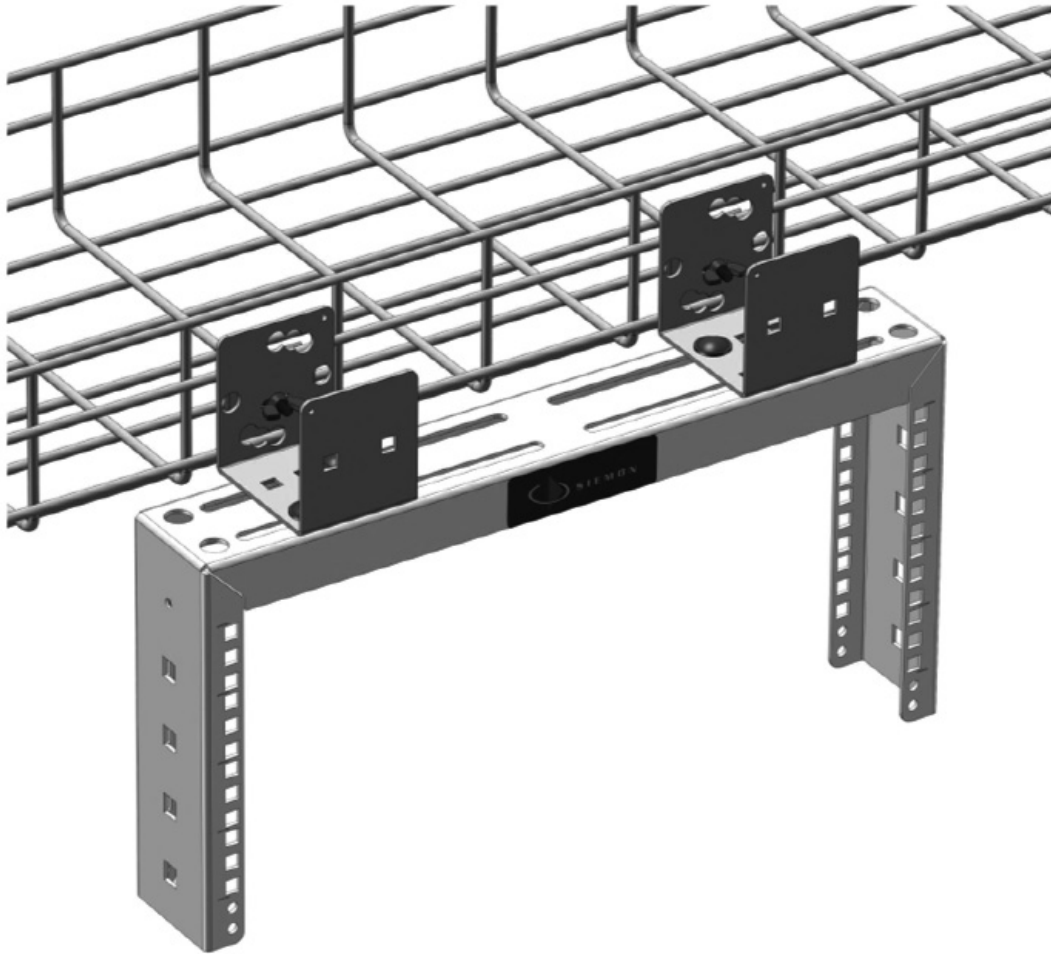
Torque all hardware to 75in-lbs

PERPENDICULAR – BELOW CABLE TRAY



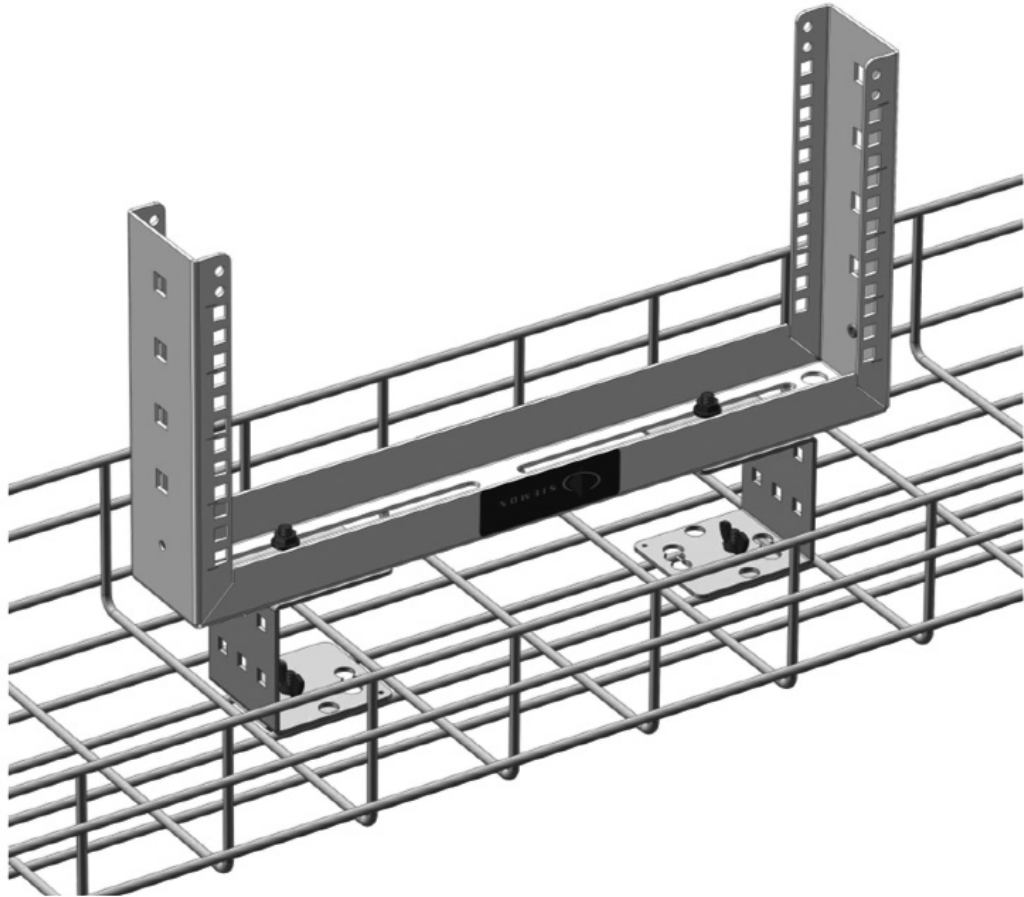
Torque all hardware to 75in-lbs

SIDE WALL MOUNTED



Torque all hardware to 75in-lbs

PARALLEL – INSIDE CABLE TRAY



Torque all hardware to 75in-lbs

RACK BONDING

Ground Wire
(Not Supplied)



10-32
Screw

**NOTE: Bonding Point
located on both sides
of the rack**

