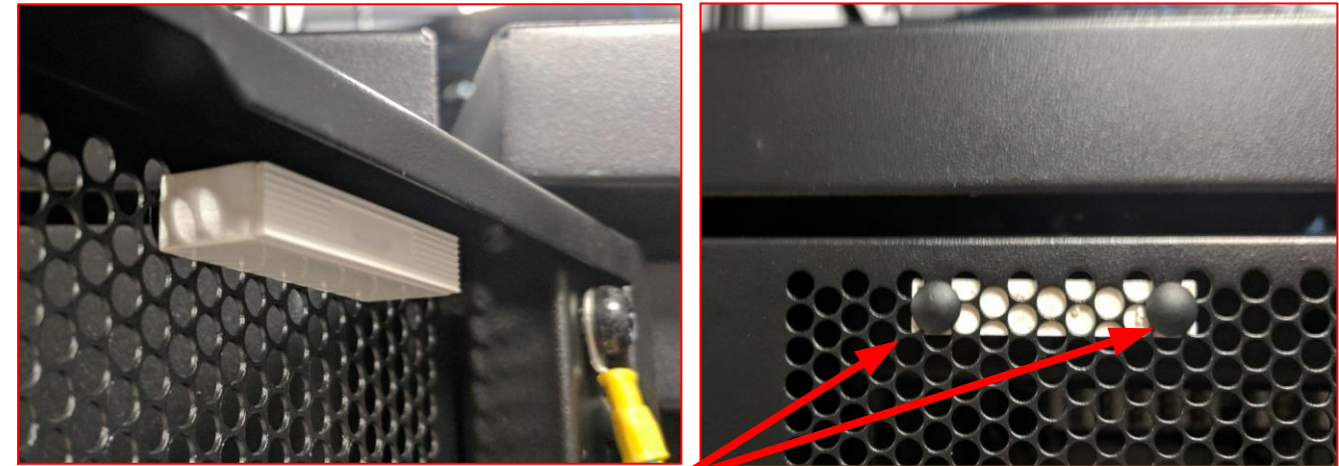
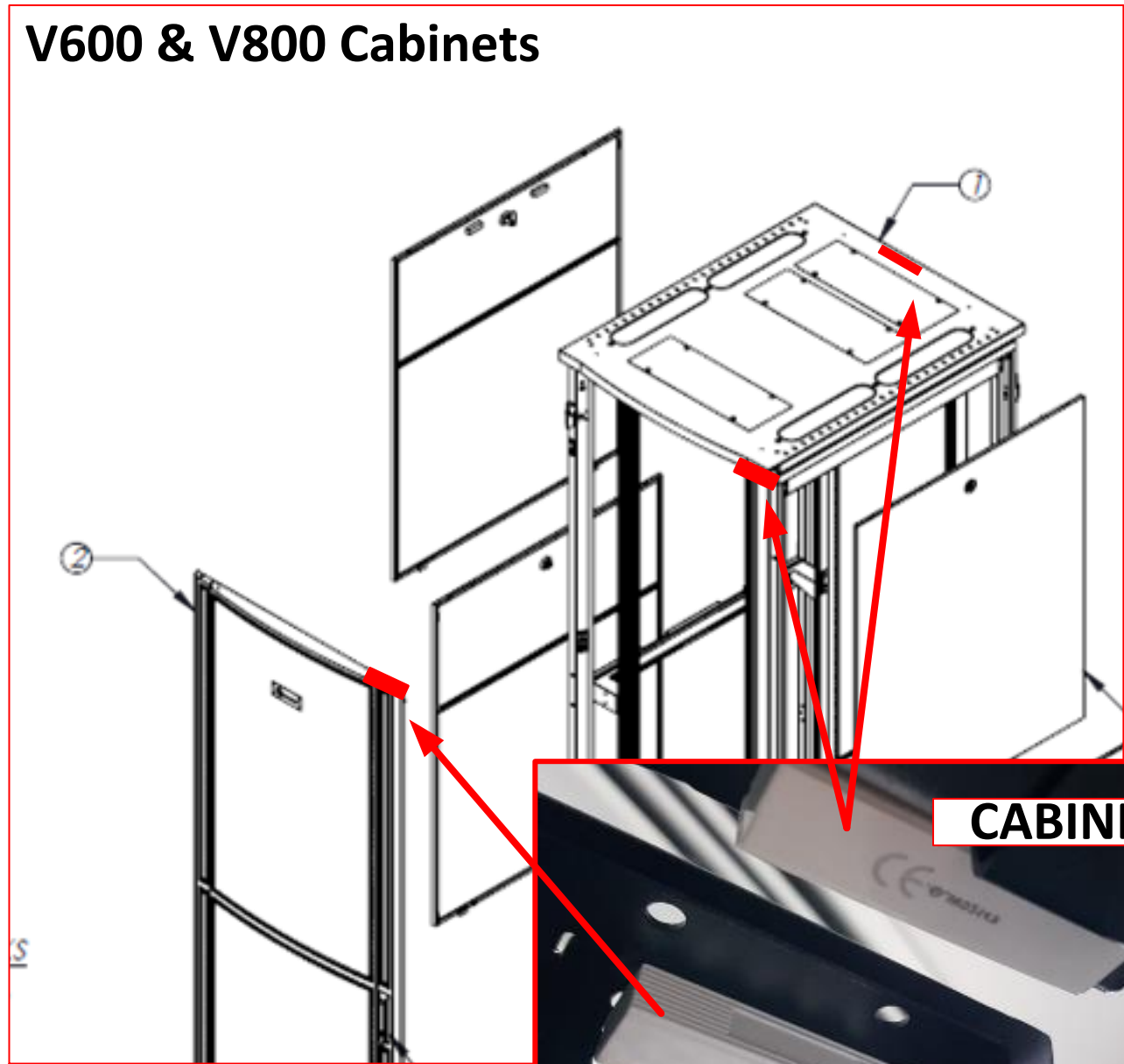
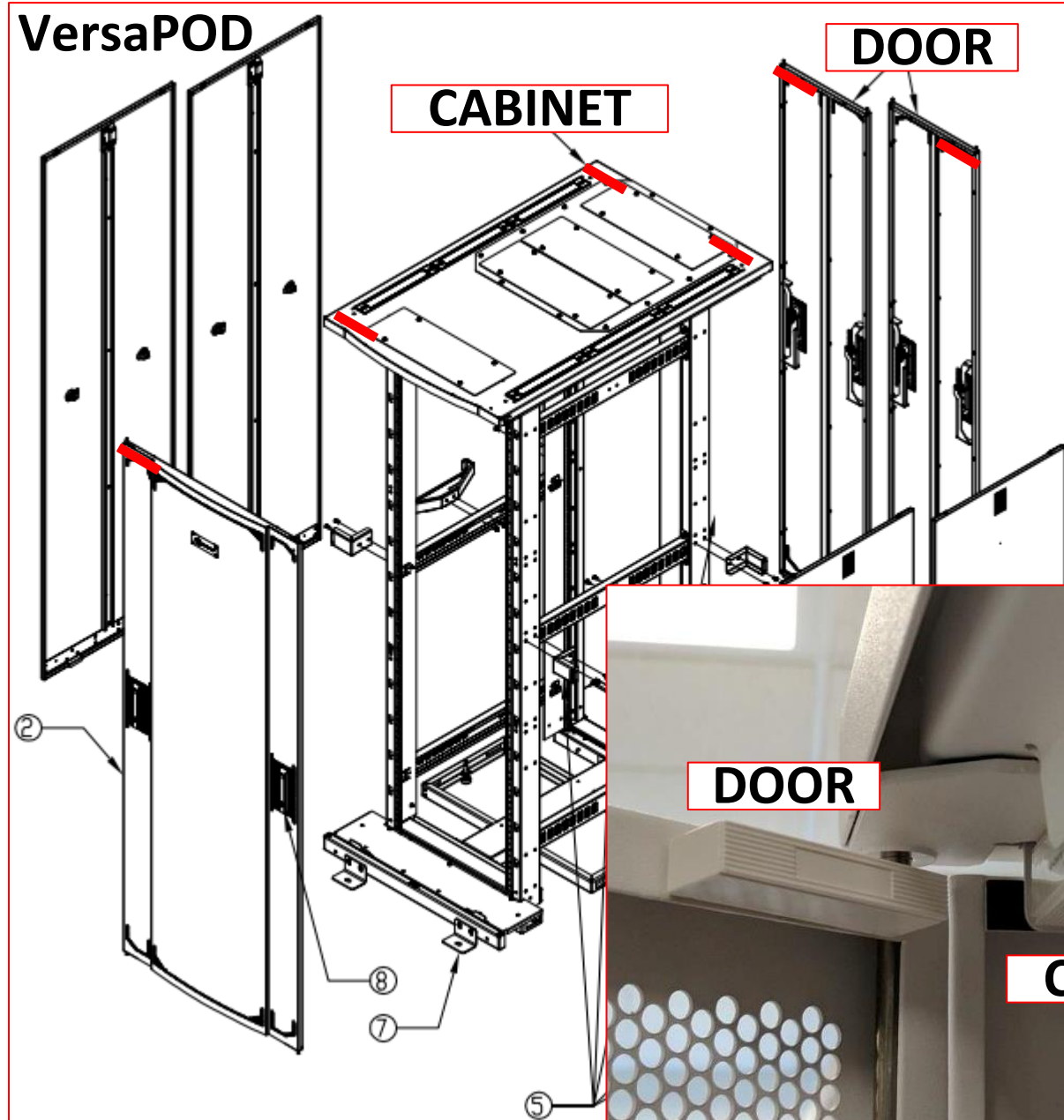


Door Contact

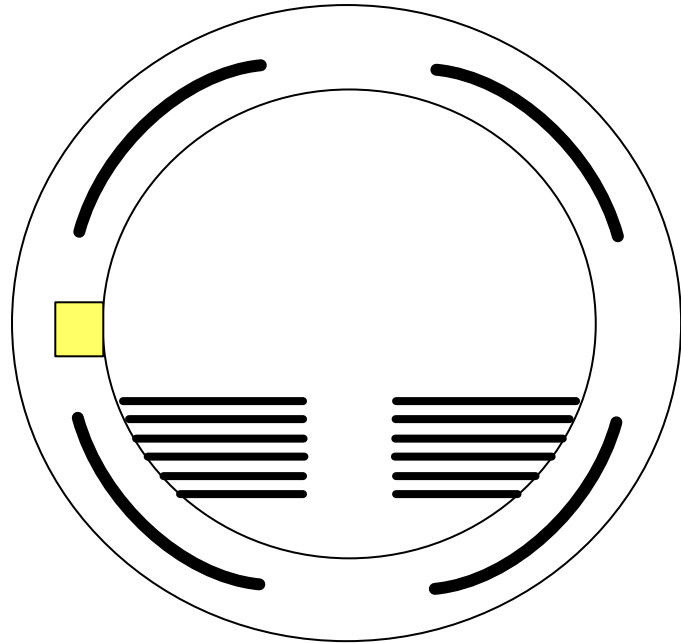


Mounts using
Adhesive Backing

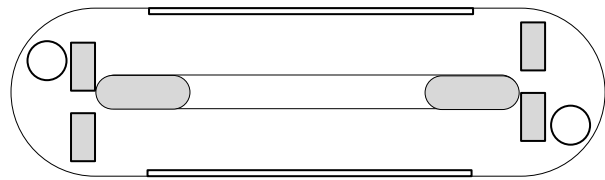
Manage the cable
within the Cabinet
to the Splitter
Module



SMOKE DETECTOR

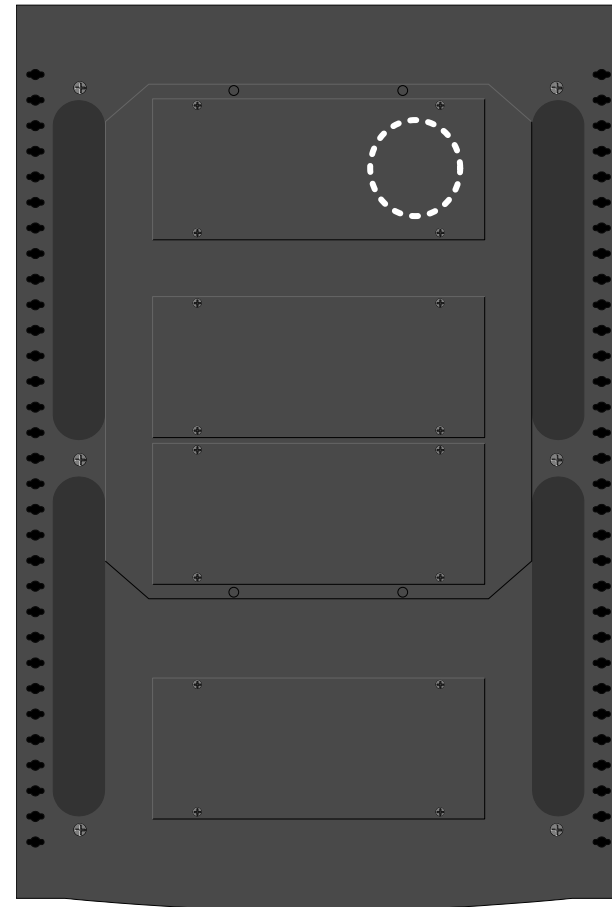


MOUNTING BRACKET

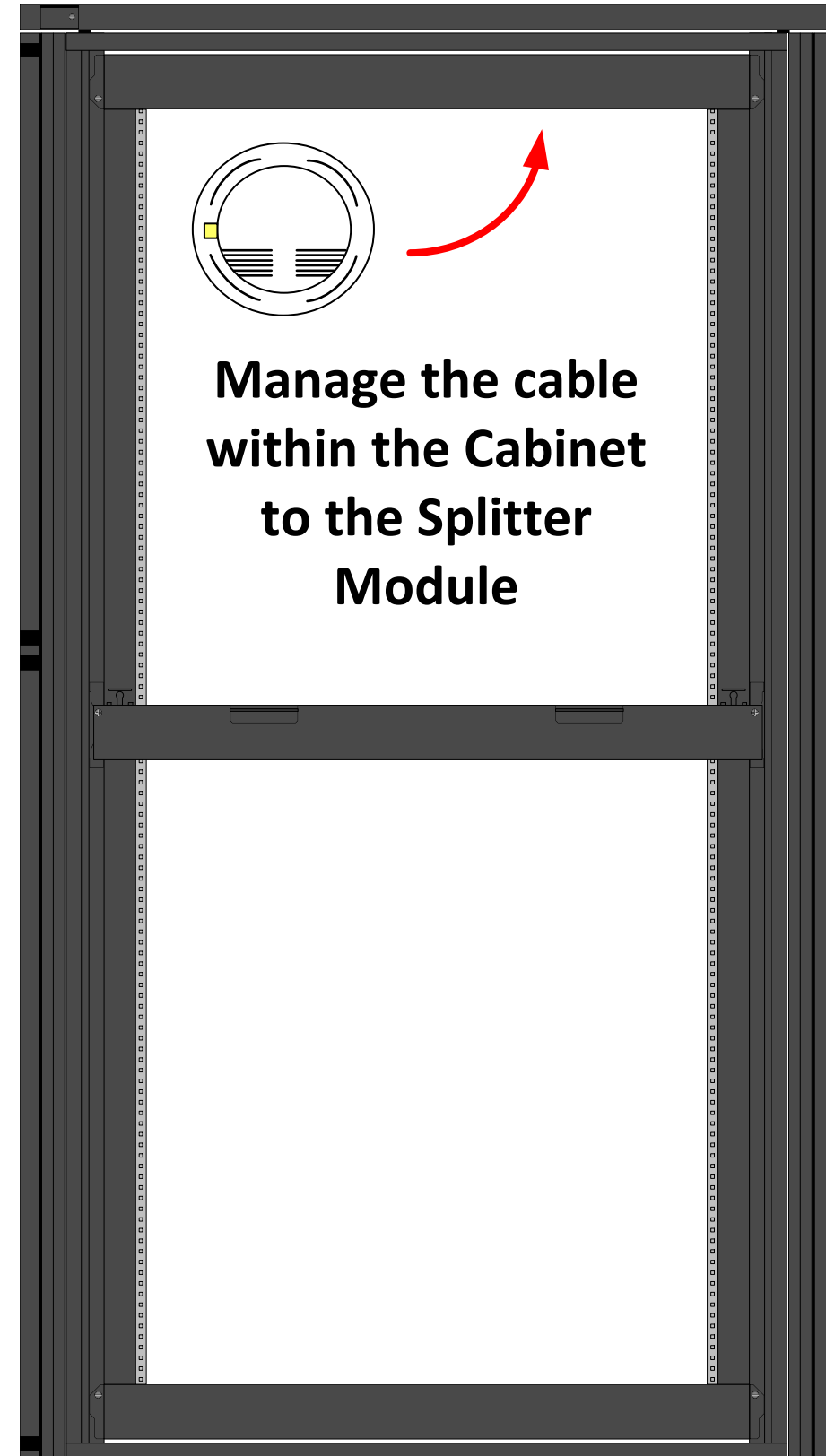


HARDWARE

CABINET LID



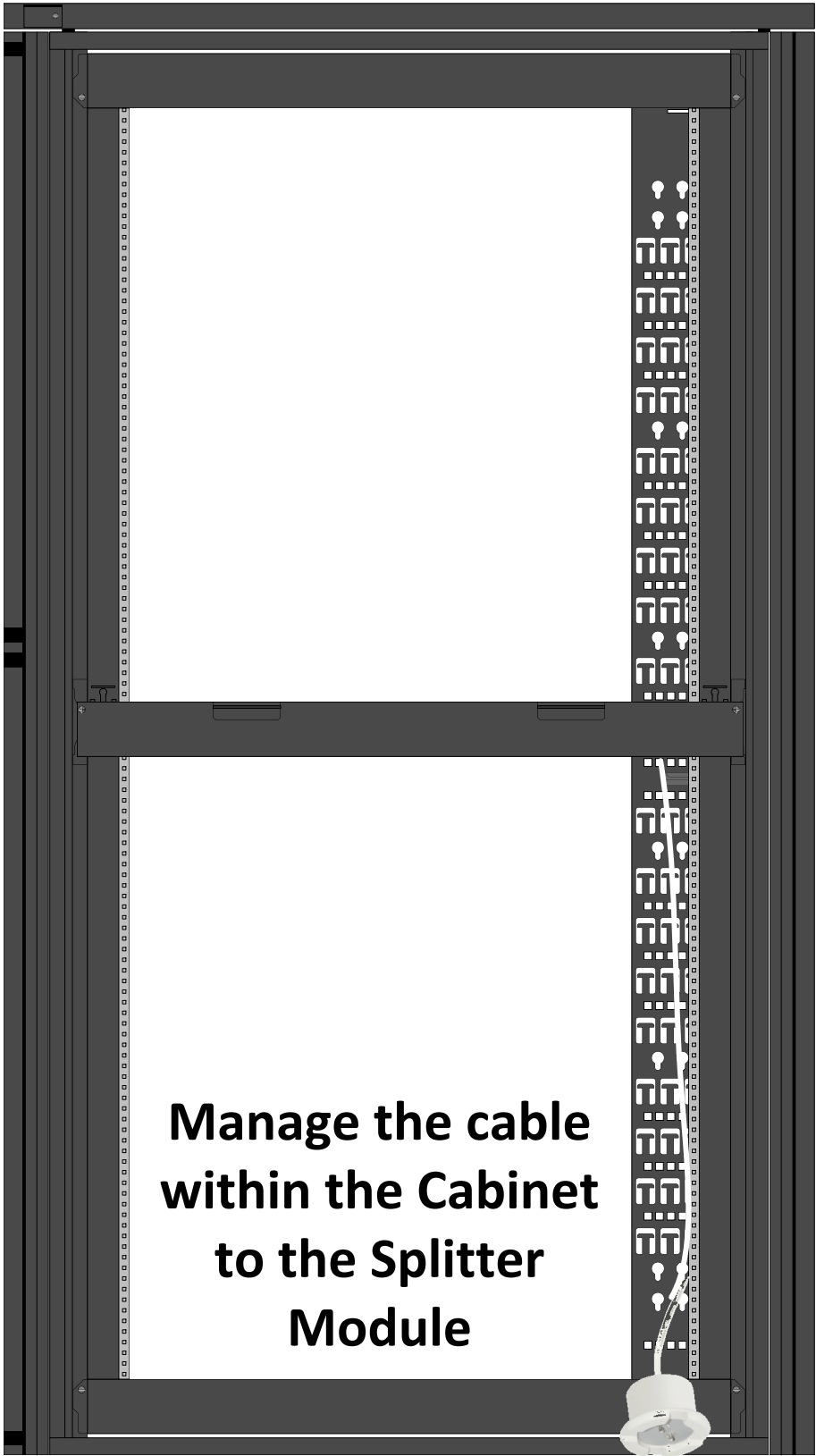
**Drill holes in lid for
the mounting
hardware**



**Manage the cable
within the Cabinet
to the Splitter
Module**

SIDE VIEW

WATER SENSOR



SIDE VIEW



Place Sensor on the floor beneath the Cabinet

SPLITTER MODULE



Mount within
the Cabinet

Installed Sensors
plug into
Corresponding Ports



DC Input
Power