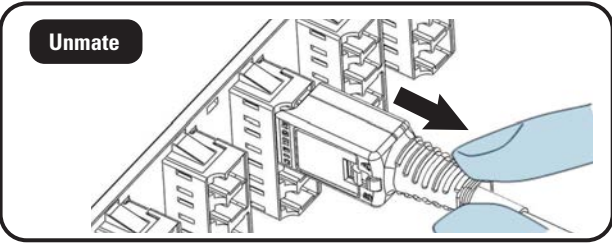
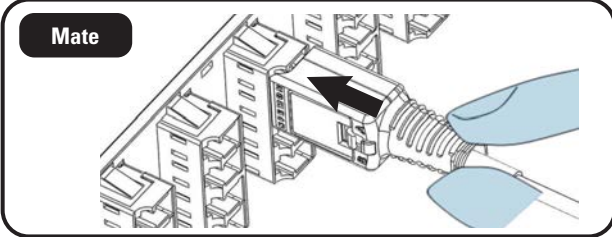
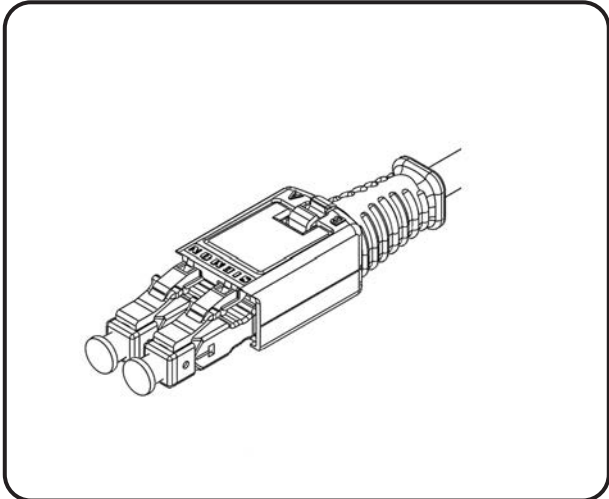


# LC Bladepatch (APC, Hybrid, APC-UPC) Instructions



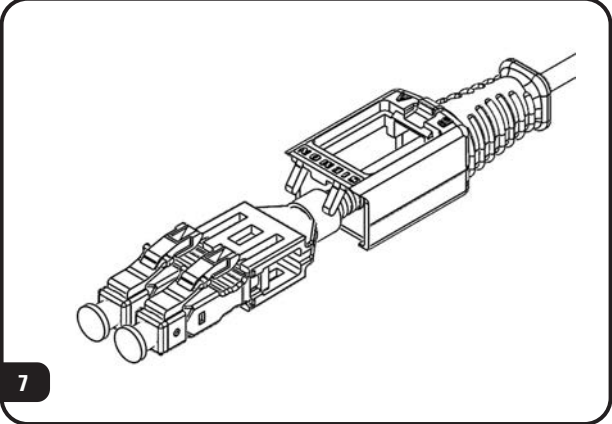
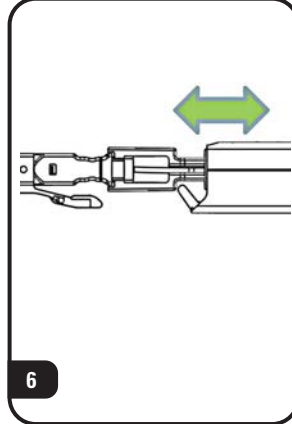
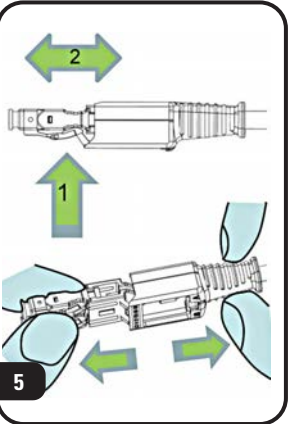
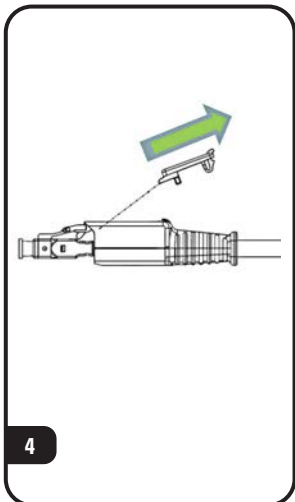
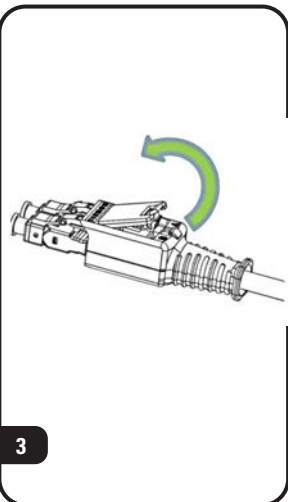
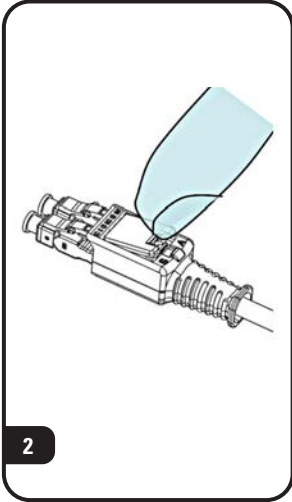
**Polarity Change**

From factory, jumpers come in two configurations. Display windows show configuration before field polarity change.

CFP

RFP

1



# LC Bladepatch (APC, Hybrid, APC-UPC) Instructions

**APC (Green)**

Gently pull the LC connectors free from the connector assembly

**8b**

**APC (Green)**

180°

Gently rotate the LC connectors 180 degrees and slide them back into the connector assembly.

**9b**

**APC (Green)**

**10b**

**UPC (Blue) Hybrid**

180°

**8a**

**UPC (Blue) Hybrid**

**9a**

**UPC (Blue) Hybrid**

**10a**

1 2

1

While depressing the LC connector latches tilt slightly to allow (arrow 1) boot housing to move back into place.

**11**

**12**

After Polarity has been changed through field procedure one side will show and "X" and the other side will show a blank.

**13**

**Procedure for out of Spec. SFP port removal**

In the unlikely event the jumper will not withdraw from an SFP follow step "A" to remove the connector.

1 2