

Z-MAX Panel Instructions (Detachable manager series)



24-Port flat (shown throughout unless otherwise specified)



48-Port flat



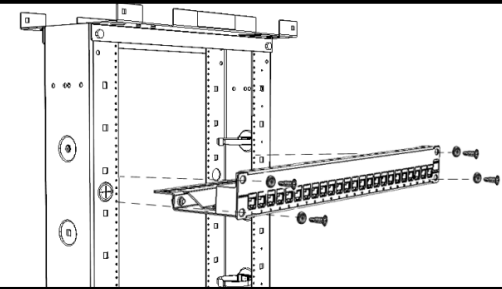
24-Port angled



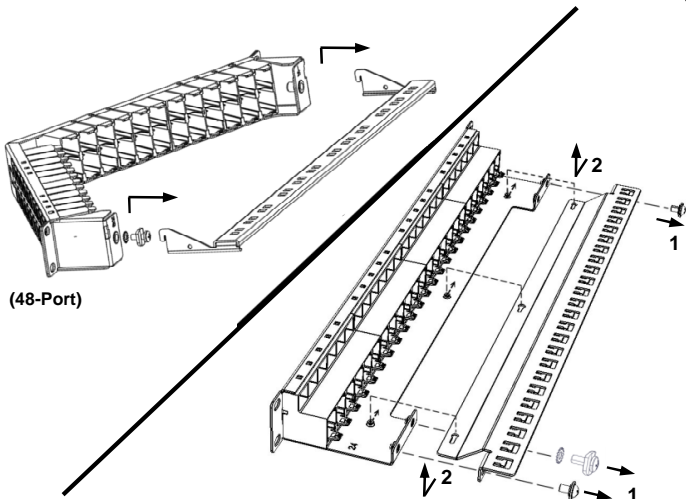
48-Port angled



Tools

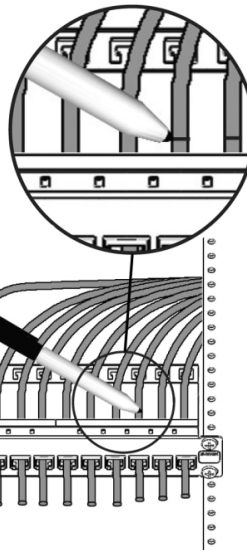


1

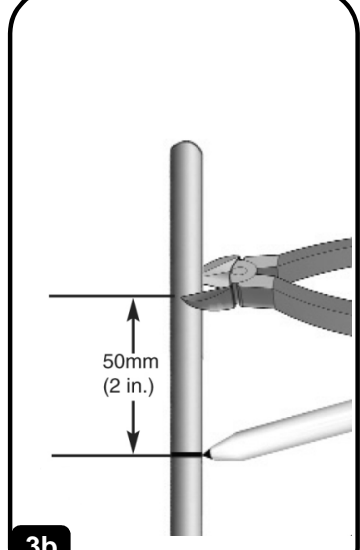


(48-Port)

2 Optional: Detach rear managers for easier access



3a



3b

See Z-MAX Outlet Instructions

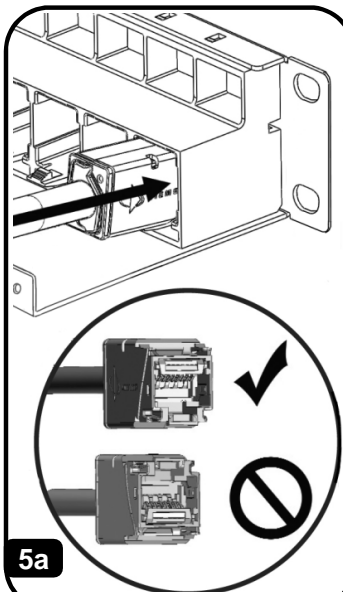


• **Shielded Z-MAX Module**

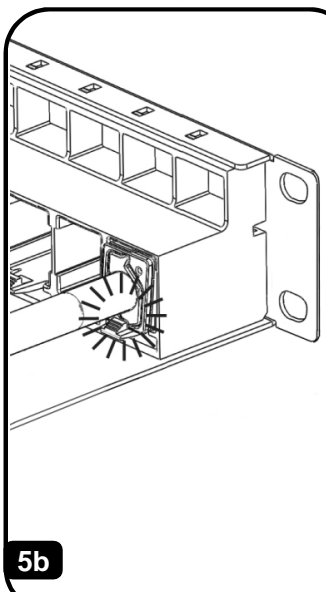
• **UTP Z-MAX Module**

www.siemon.com/us/download/installation.asp#wa

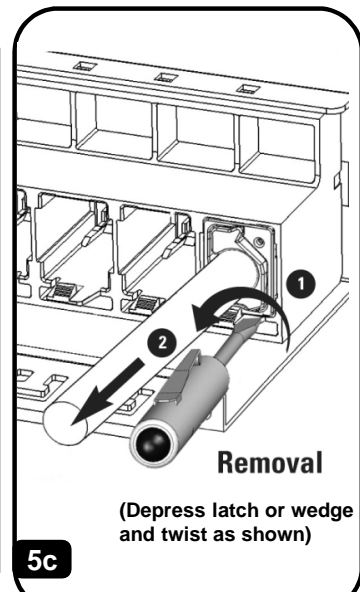
4



5a



5b

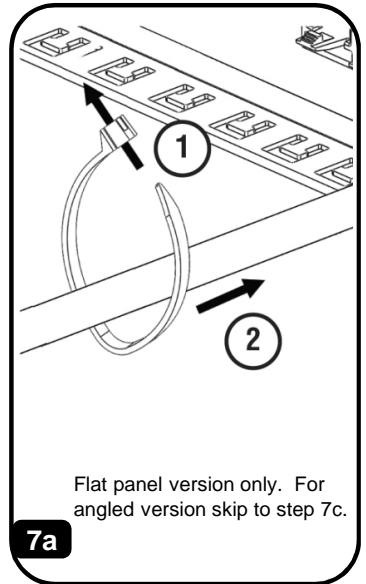
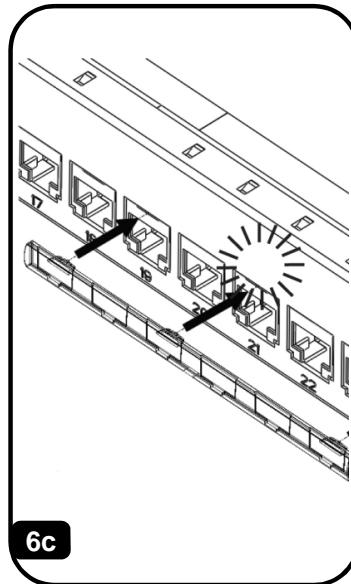
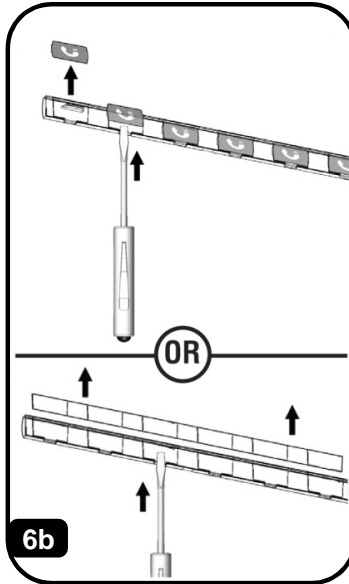
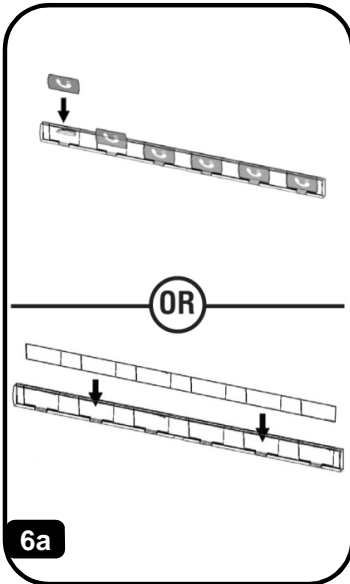


Removal

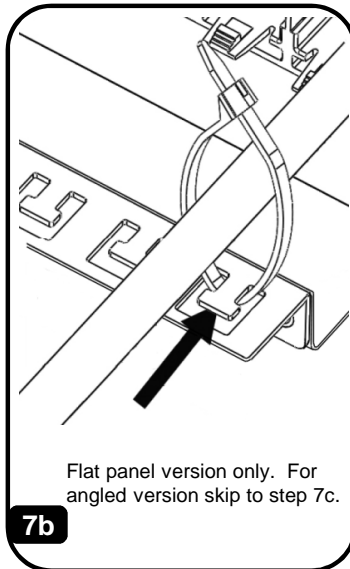
(Depress latch or wedge and twist as shown)

5c

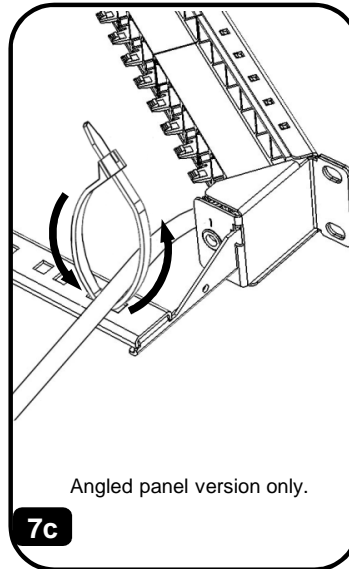
Z-MAX Panel Instructions (Detachable manager series)



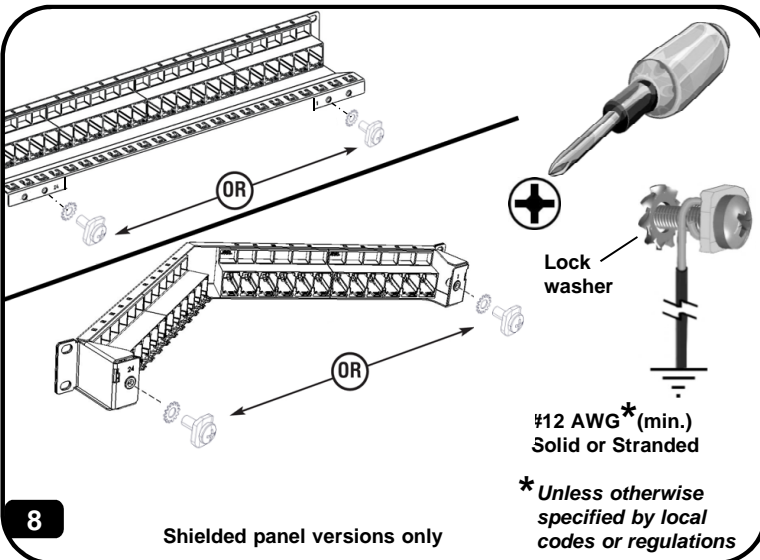
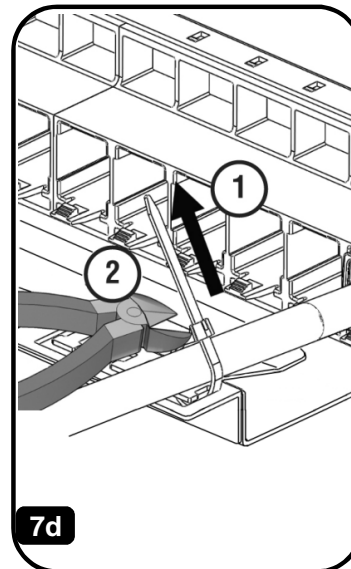
Flat panel version only. For angled version skip to step 7c.



Flat panel version only. For angled version skip to step 7c.



Angled panel version only.



To assist safe installations, comply with the following:

- A. Use caution when installing or modifying telecommunications circuits.
- B. Never touch uninsulated wire terminals unless the circuit has been disconnected.
- C. Never install this device in a wet location.
- D. Never install wiring during a lightning storm.

Lors de l'installation, respectez les consignes de sécurité suivantes:

- A. Utiliser avec prudence lors de l'installation ou de la modification circuits de télécommunications.
- B. Ne jamais toucher les bornes de fil métallique non isolés sauf si le circuit a été débranché.
- C. Ne jamais installer cet appareil dans un endroit humide.
- D. Ne jamais installer pendant un orage.

Global Headquarters
Watertown, Connecticut USA
Tel: (1) 866-548-5814

For a complete listing of our global offices visit our web site



www.siemon.com

To ensure you have the latest revision to this document, please visit: <http://www.siemon.com/us>