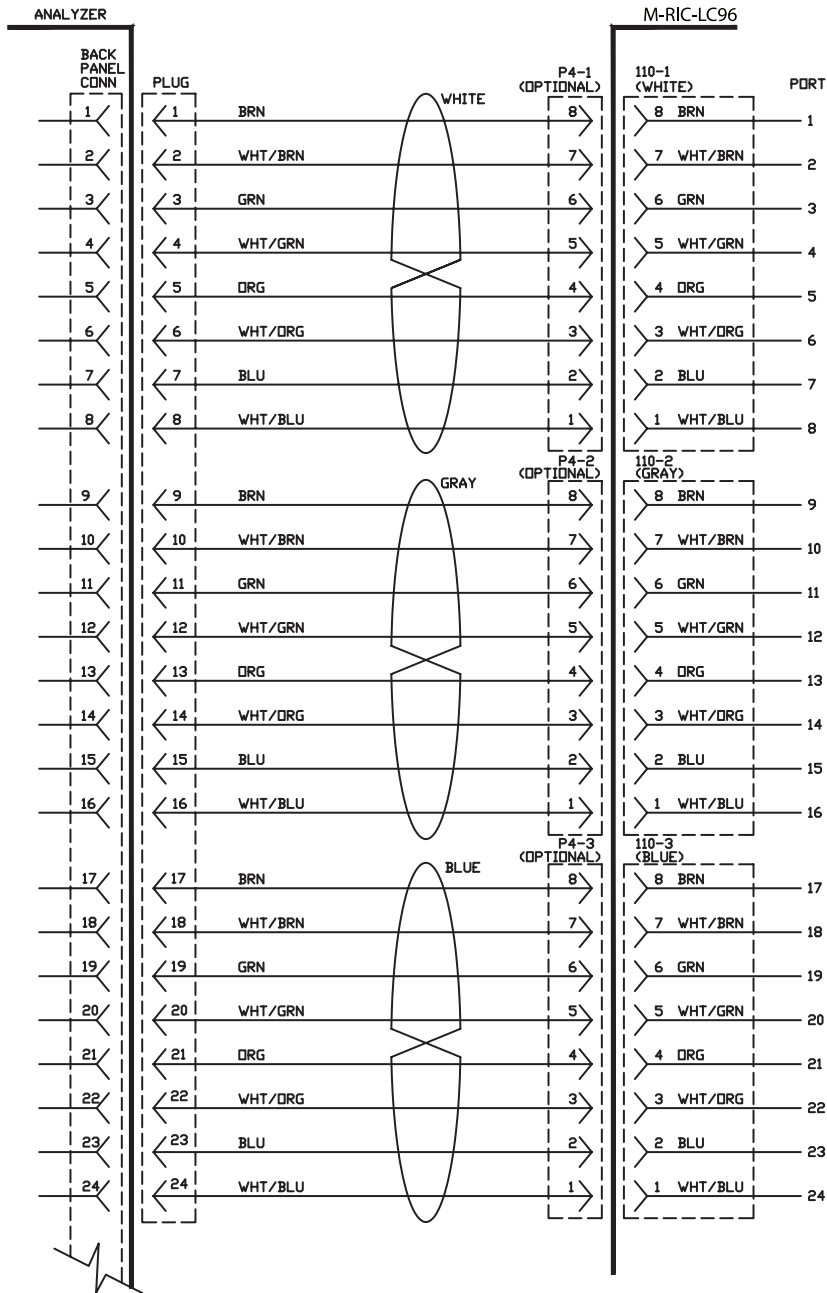


# MapIT™ LC/SC RIC Instructions

## M-RIC-LC96



Repeat pattern for 25-48

**To assist safe installations, comply with the following:**

- A. Use caution when installing or modifying telecommunications circuits.
- B. Never touch uninsulated wire terminals unless the circuit has been disconnected.
- C. Never install this device in a wet location.
- D. Never install wiring during a lightning storm.



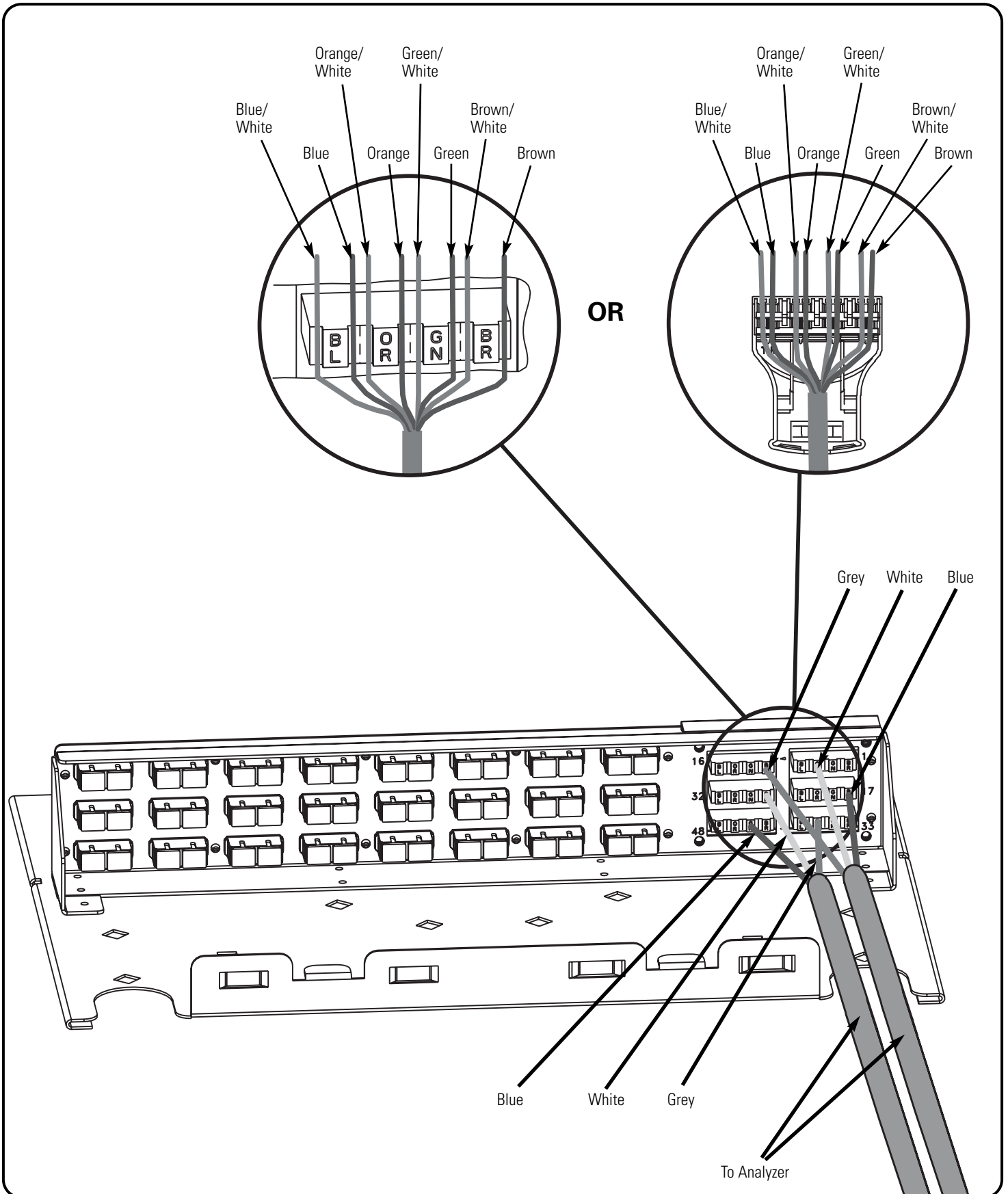
**Global Headquarters**  
 Watertown, Connecticut USA  
 Tel: (1) 866-548-5814

For a complete listing of our global offices visit our web site



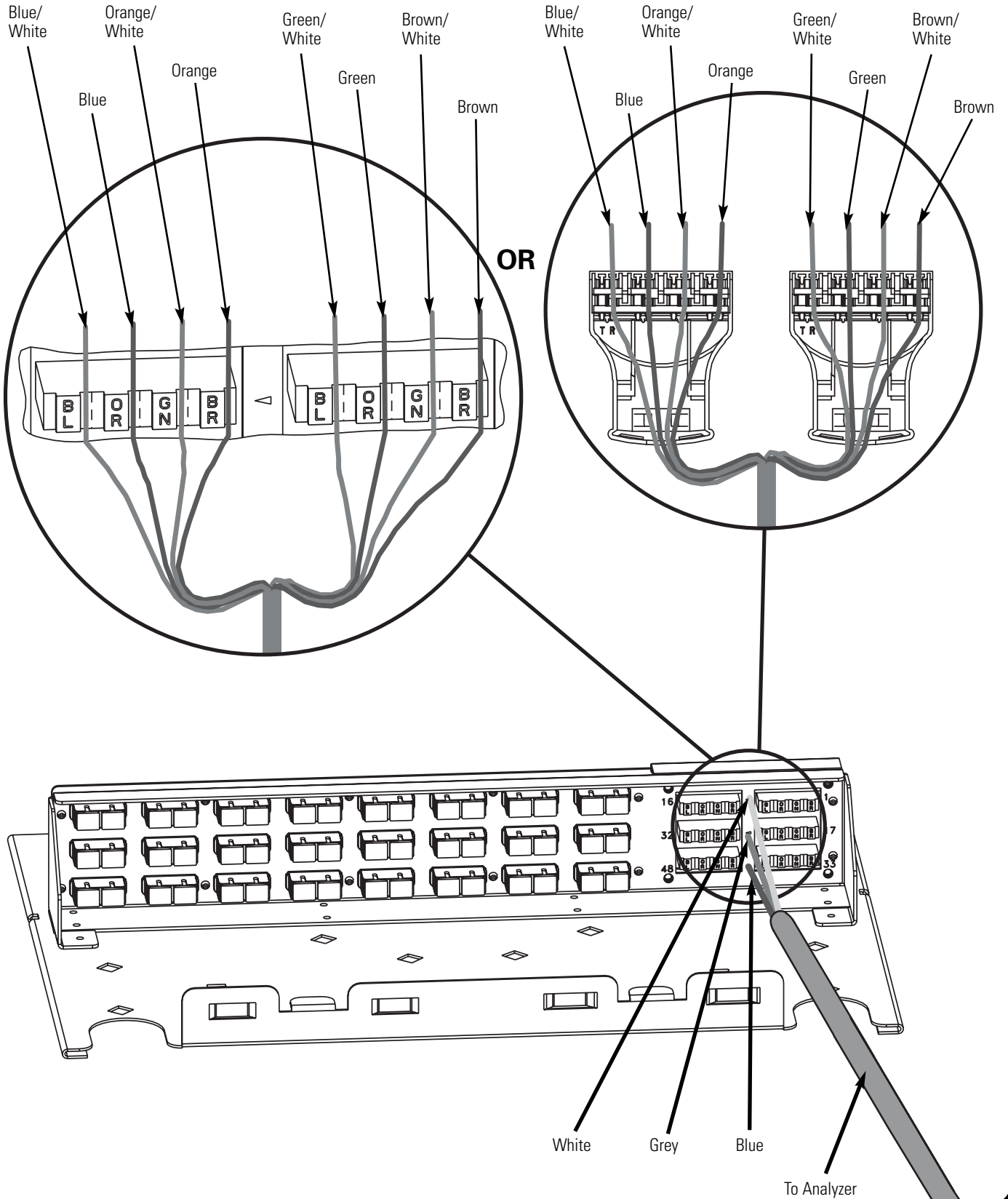
# MapIT™ LC/SC RIC Instructions

## M-RIC-LC96



# MapIT™ LC/SC RIC Instructions

## M-RIC-SC48



# MapIT™ LC/SC RIC Instructions

## M-RIC-SC48

