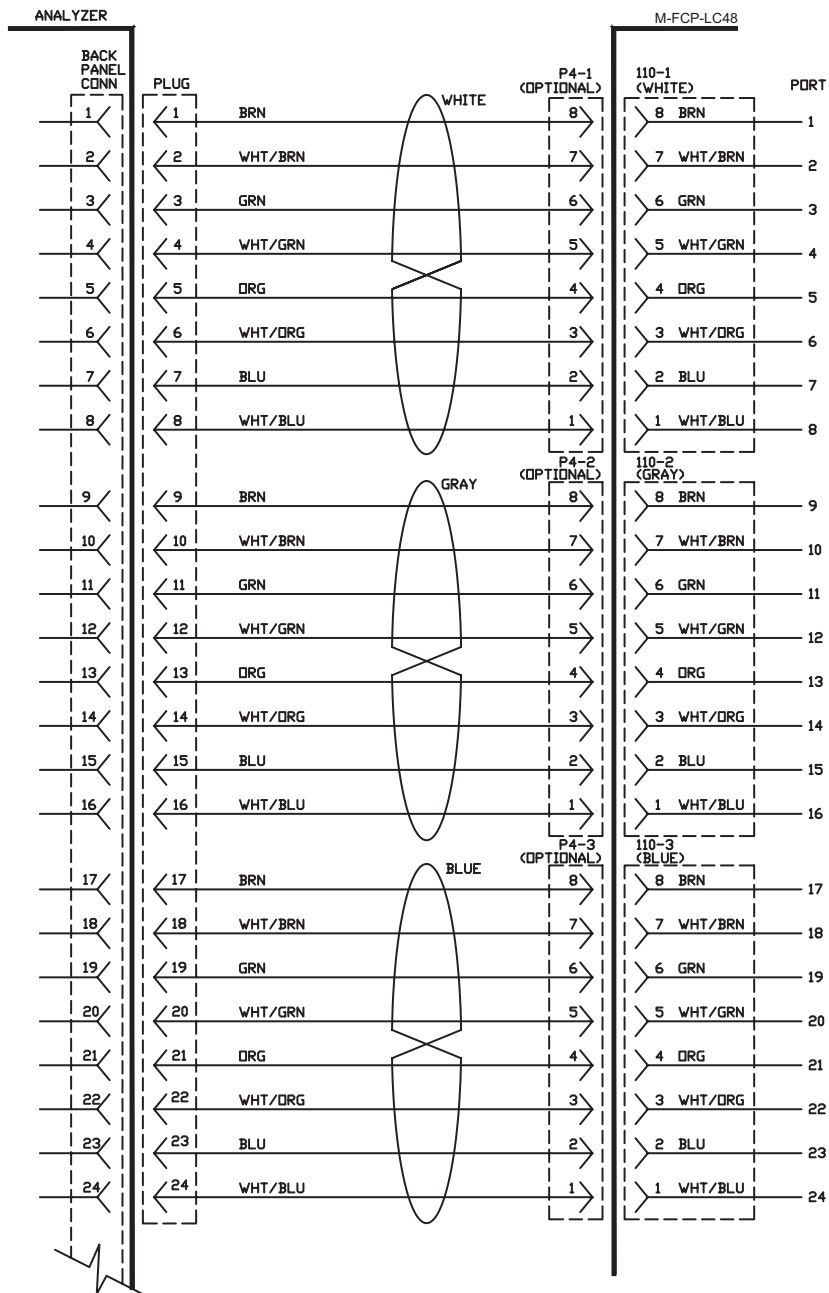


MapIT™ LC/SC FCP Instructions

M-FCP-LC48



To assist safe installations, comply with the following:

- A. Use caution when installing or modifying telecommunications circuits.
- B. Never touch uninsulated wire terminals unless the circuit has been disconnected.
- C. Never install this device in a wet location.
- D. Never install wiring during a lightning storm.



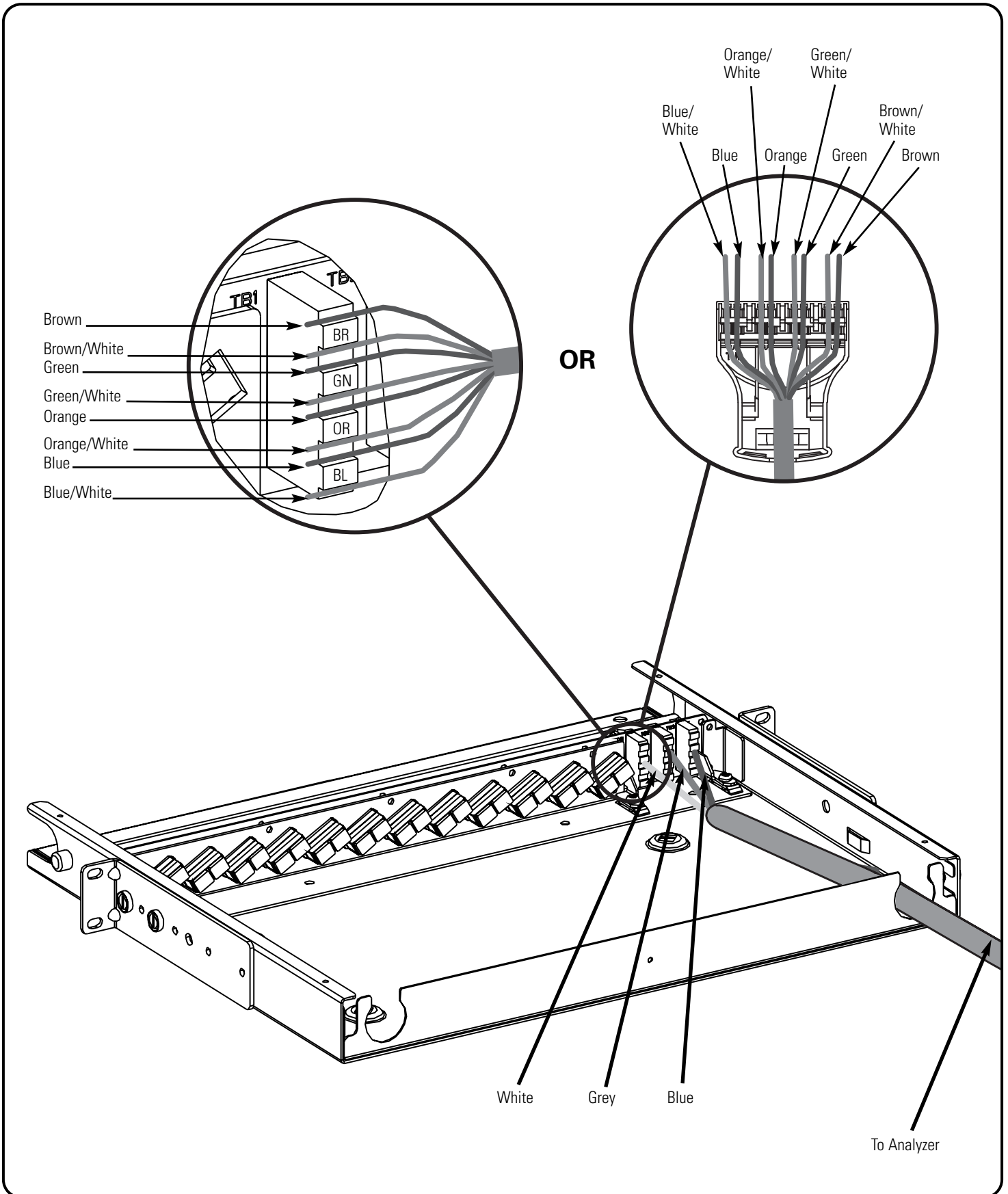
Global Headquarters
 Watertown, Connecticut USA
 Tel: (1) 866-548-5814



For a complete listing of our global offices visit our web site

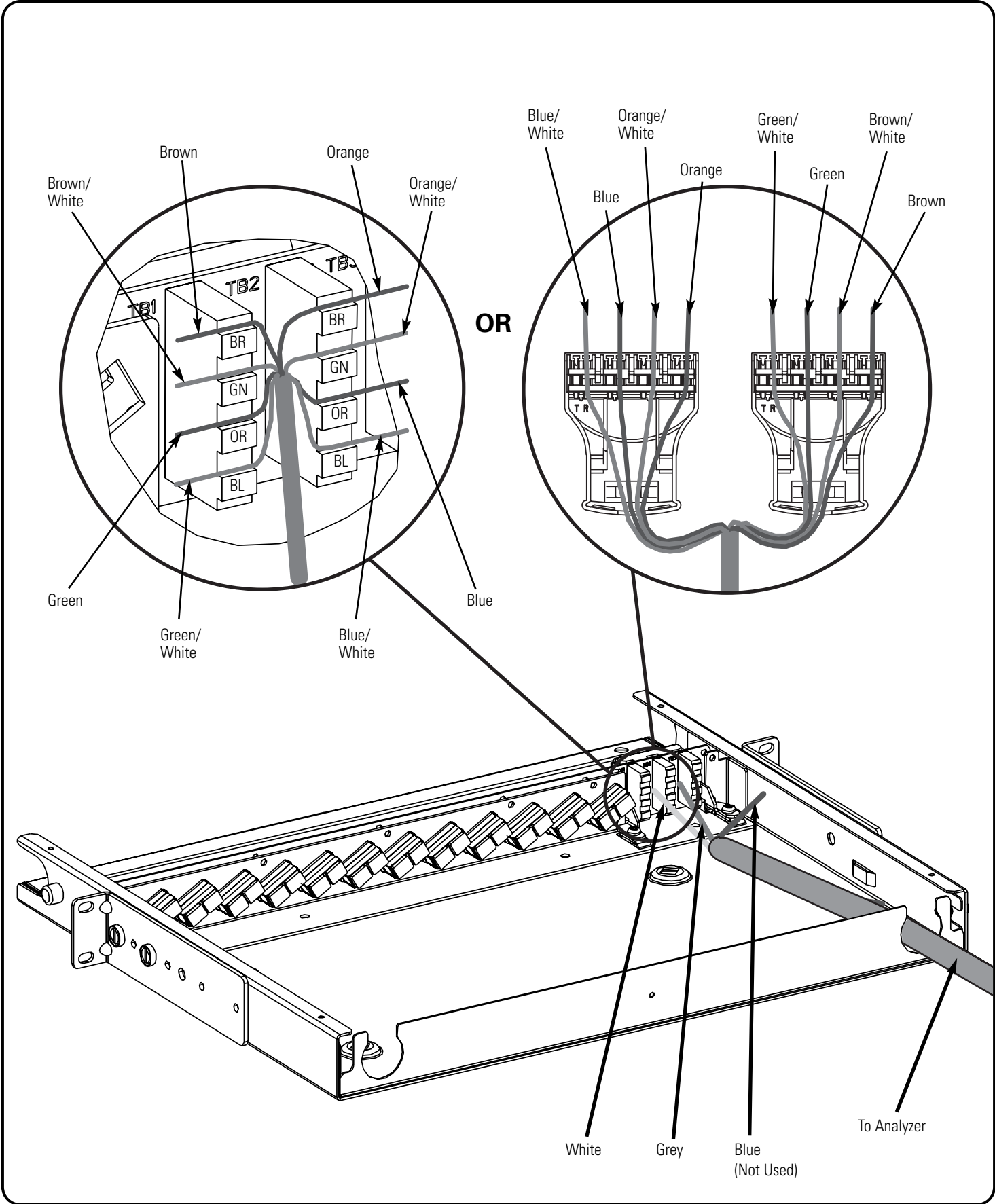
MapIT™ LC/SC FCP Instructions

M-FCP-LC48



MapIT™ LC/SC FCP Instructions

M-FCP-SC24



MapIT™ LC/SC FCP Instructions

M-FCP-SC24

