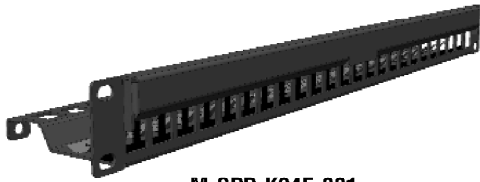


MapIT G2 Ready SPP & SPPA Instructions

Flat



M-SPP-K24E-001

Angled

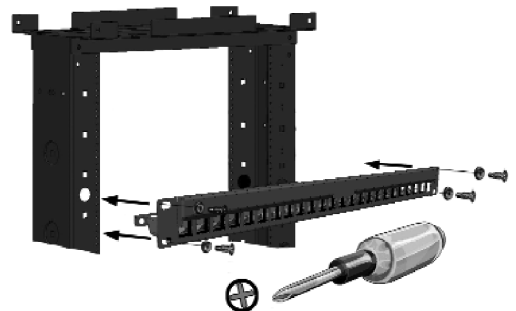
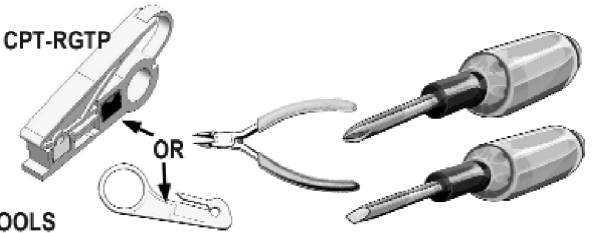


M-SPPA-K24E-001
OR
M-SPPA-T24-01K

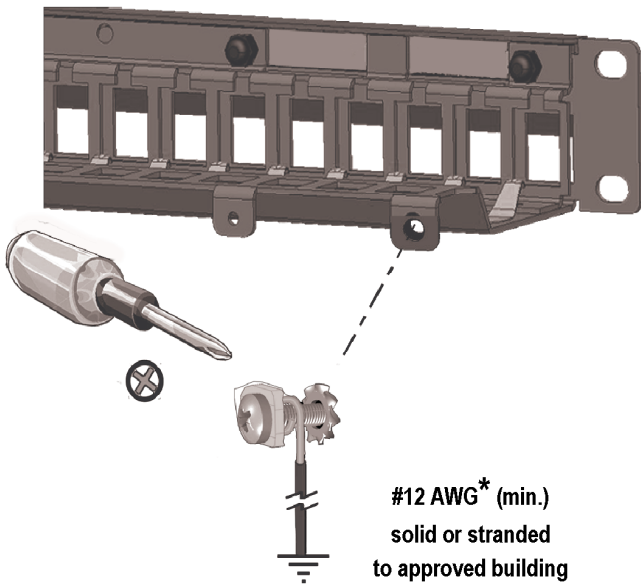
(Flat panel shown throughout)

CPT-RGTP

TOOLS



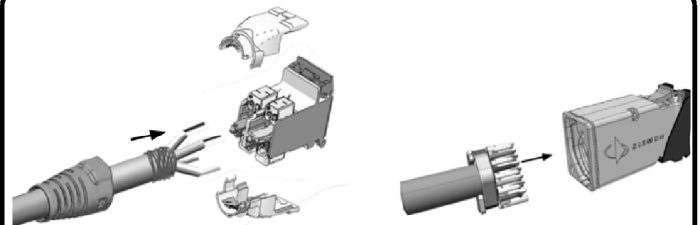
1



#12 AWG* (min.)
solid or stranded
to approved building
ground

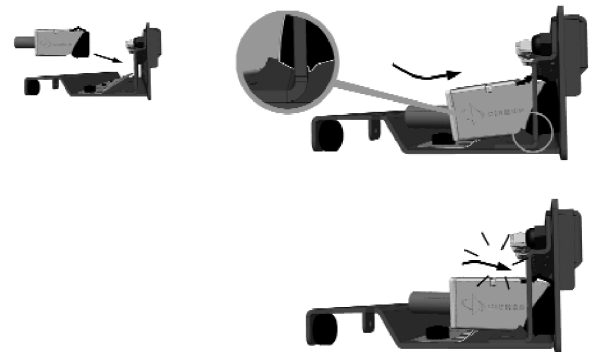
* Unless otherwise
specified by local codes
or regulations

2



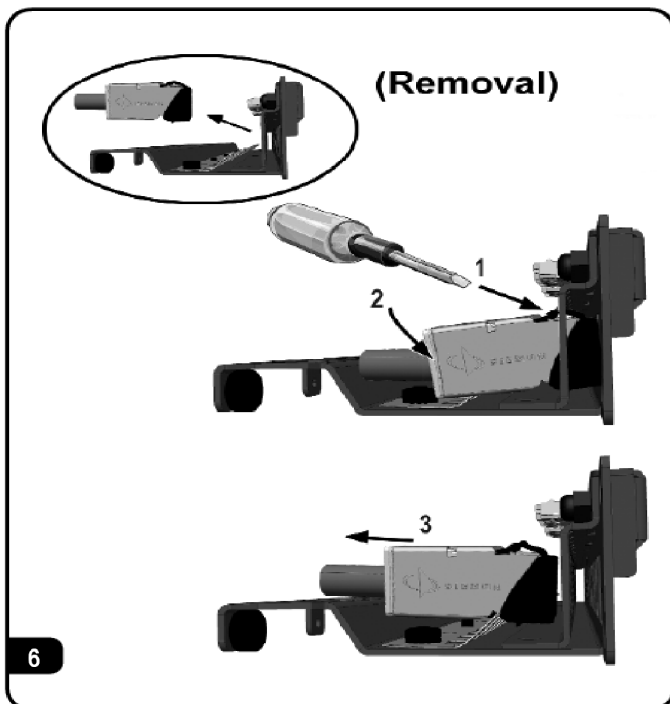
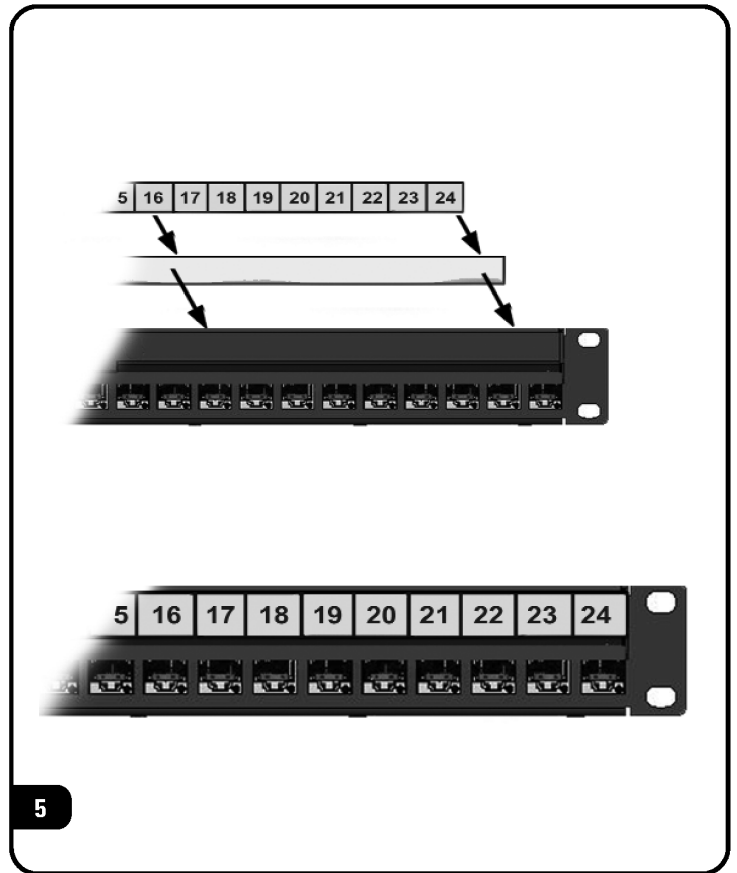
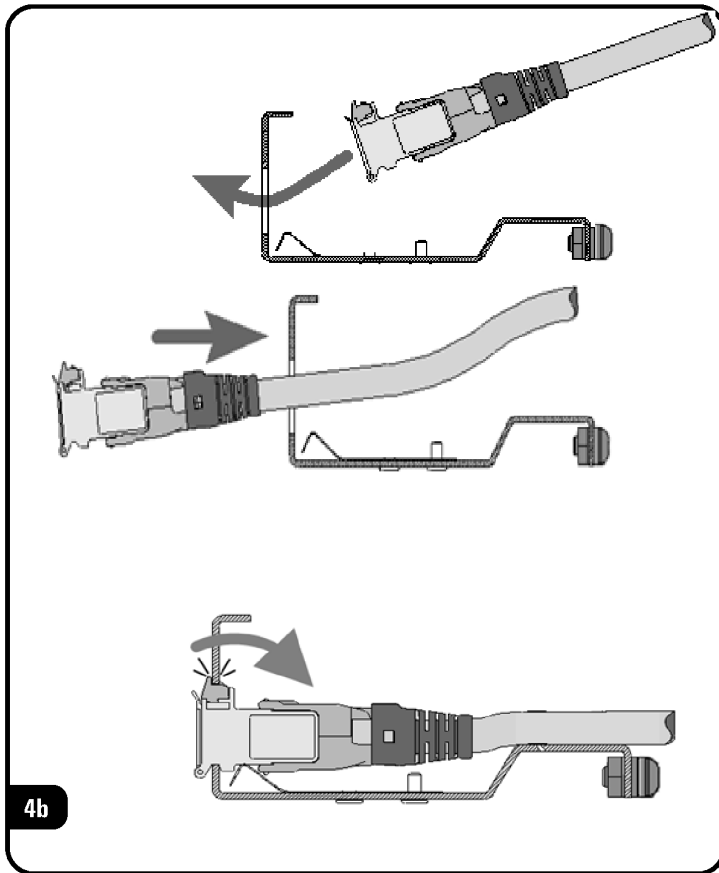
(Reference applicable Z-MAX or
TERA termination instructions):
www.siemon.com/us/download/installation.asp#wa

3



4A

MapIT G2 Ready SPP & SPPA Instructions



To assist safe installations, comply with the following:

- A. Use caution when installing or modifying telecommunications circuits.
- B. Never touch uninsulated wire terminals unless the circuit has been disconnected.
- C. Never install this device in a wet location.
- D. Never install wiring during a lightning storm.

Lors de l'installation, respectez les consignes de sécurité suivantes:

- A. Utiliser avec prudence lors de l'installation ou de la modification circuits de télécommunications.
- B. Ne jamais toucher les bornes de fil métallique non isolés sauf si le circuit a été débranché.
- C. Ne jamais installer cet appareil dans un endroit humide.
- D. Ne jamais installer pendant un orage.

To ensure you have the latest revision to this document, please visit: <http://www.siemon.com/us>

Global Headquarters
Watertown, Connecticut USA
Tel: (1) 866-548-5814



For a complete listing of our global offices visit our web site