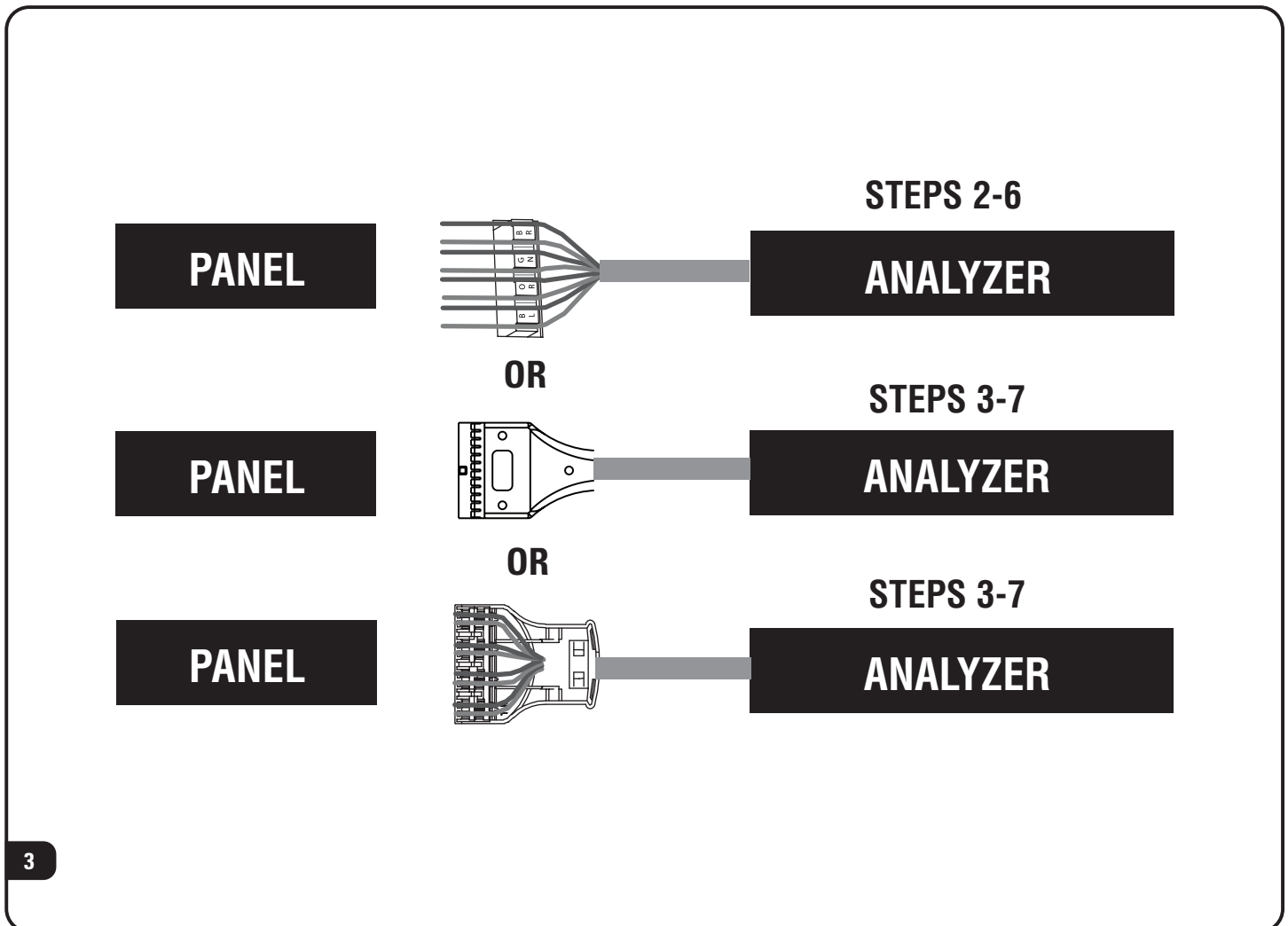
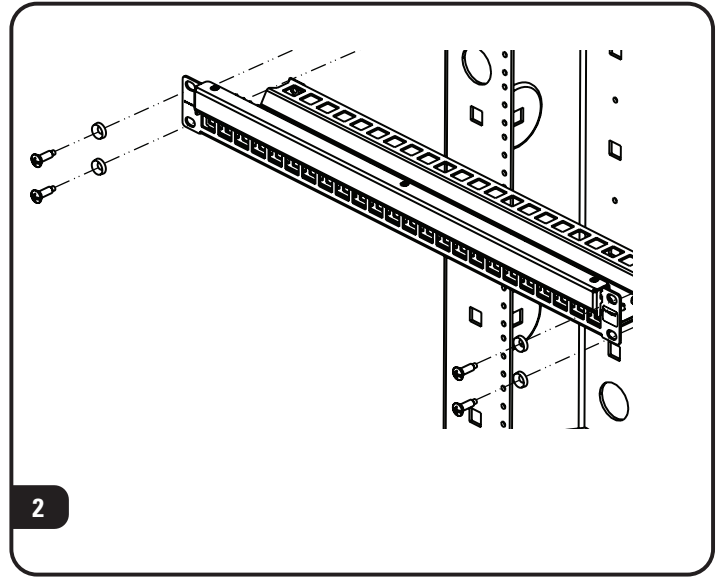
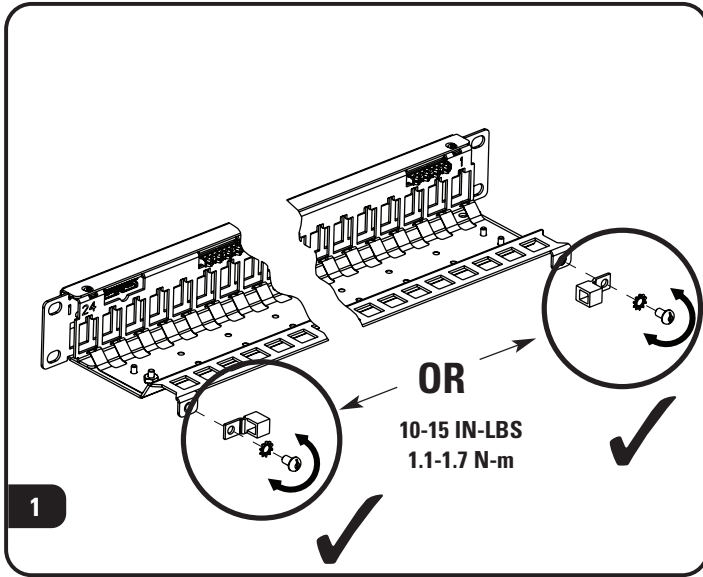
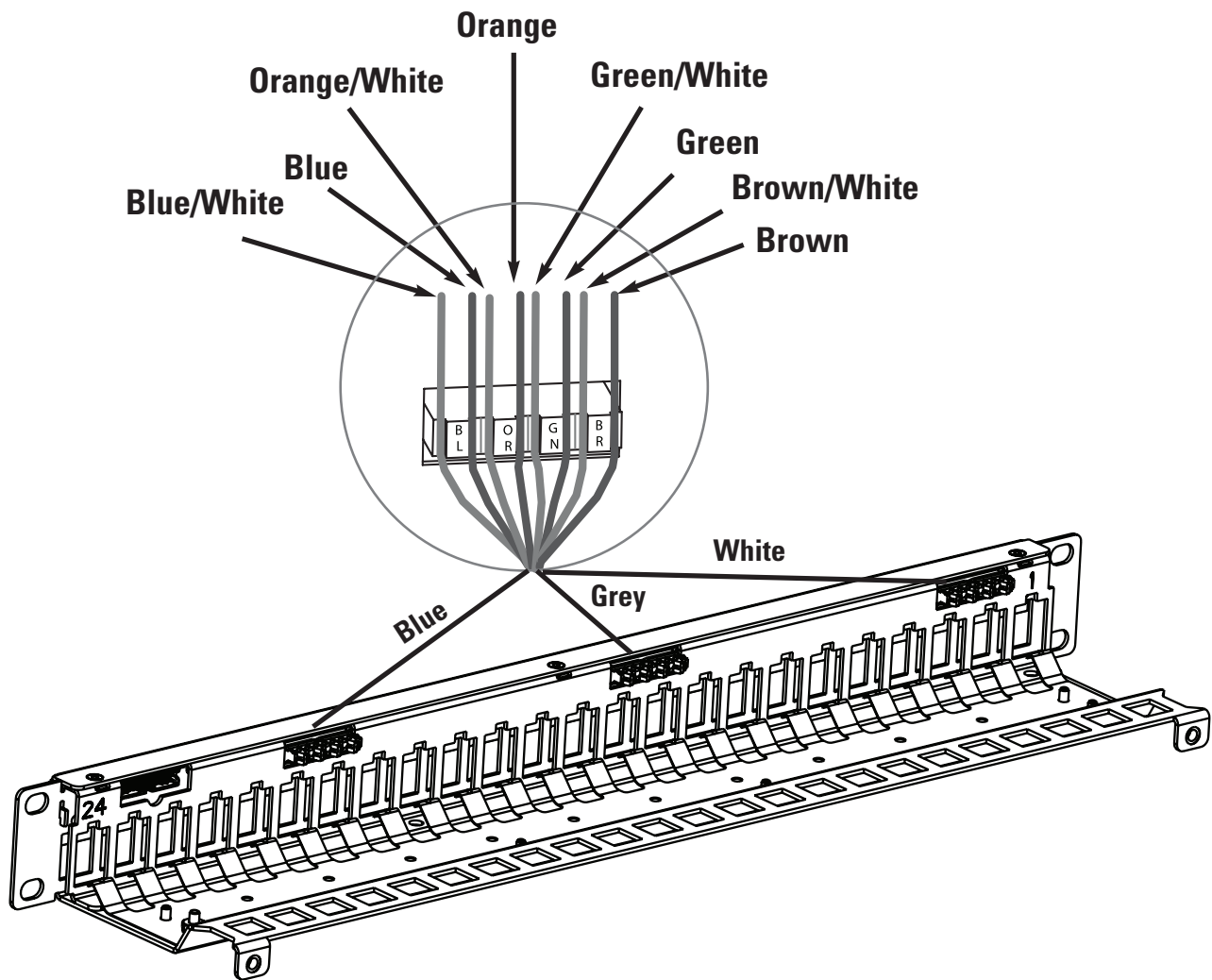


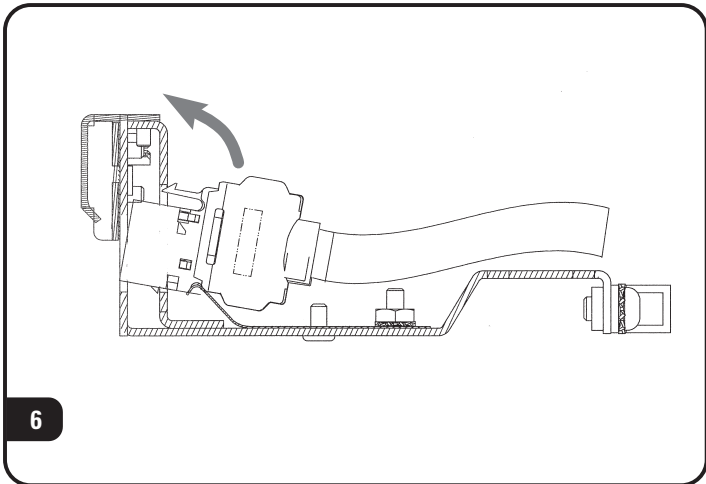
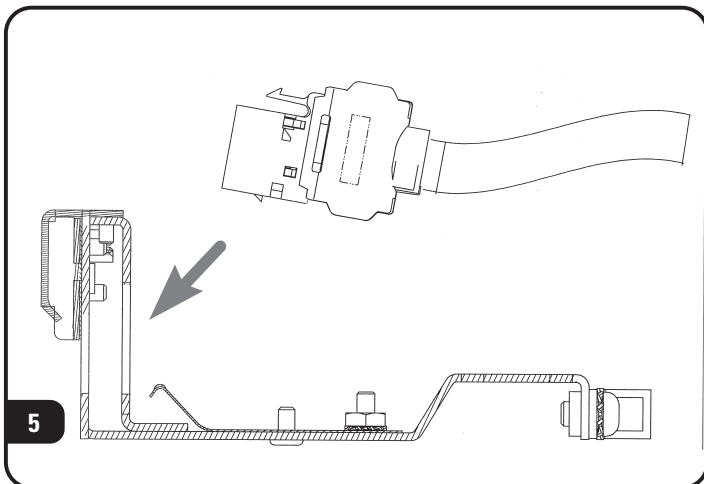
10G 6A™ F/UTP SCREENED MapIT™ PATCH PANEL



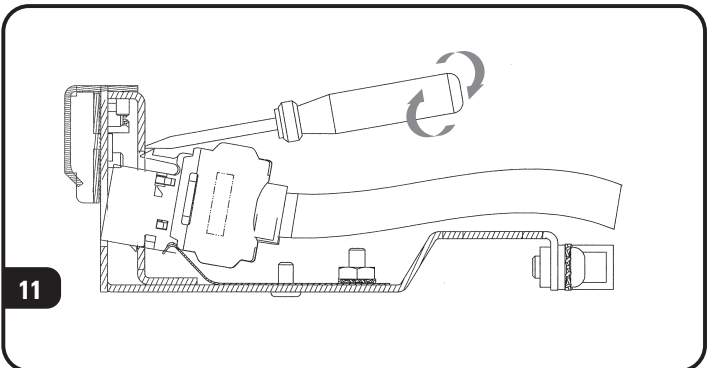
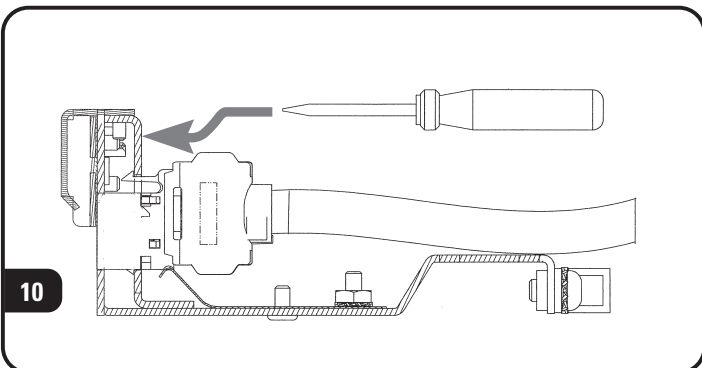
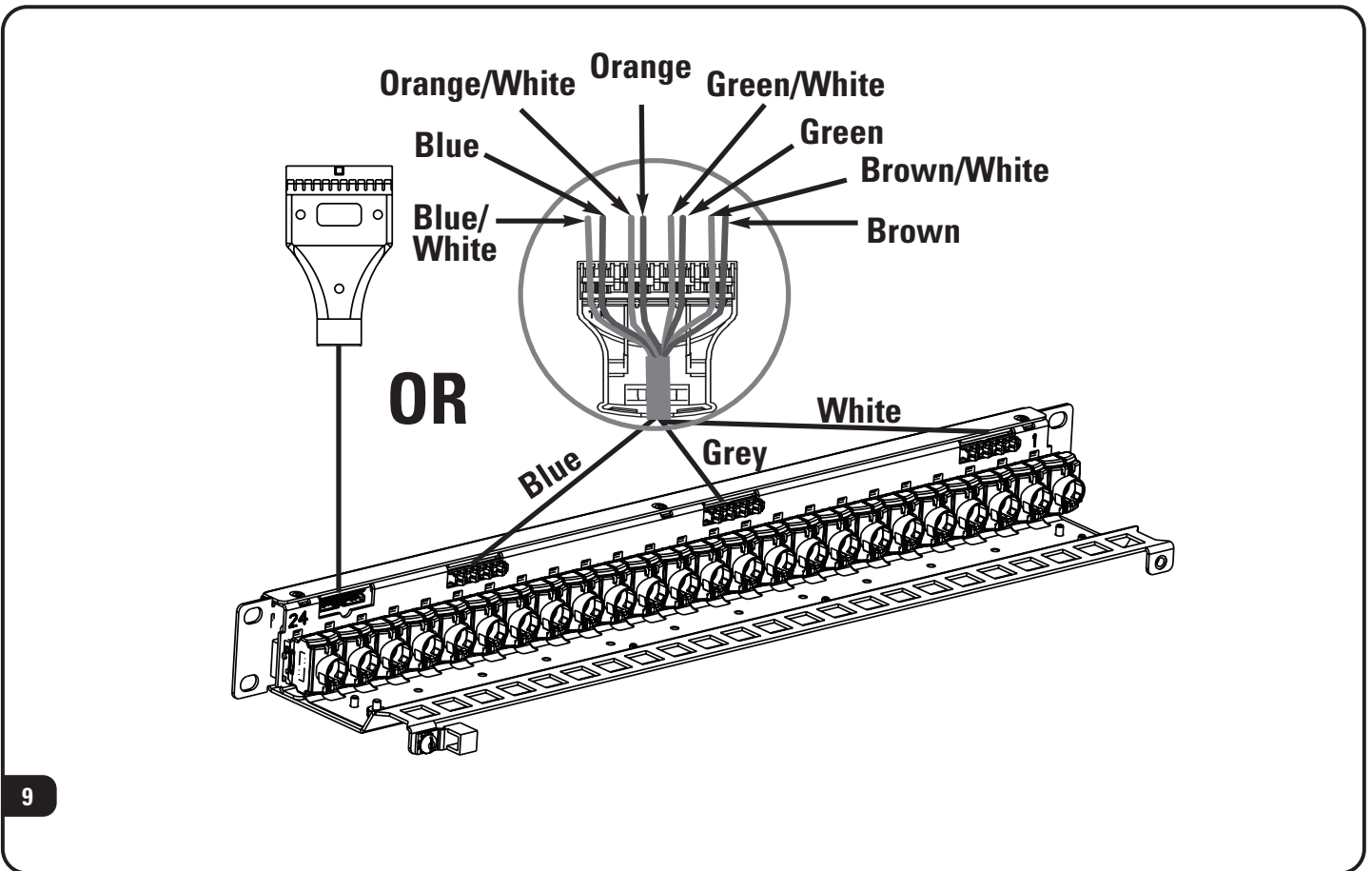
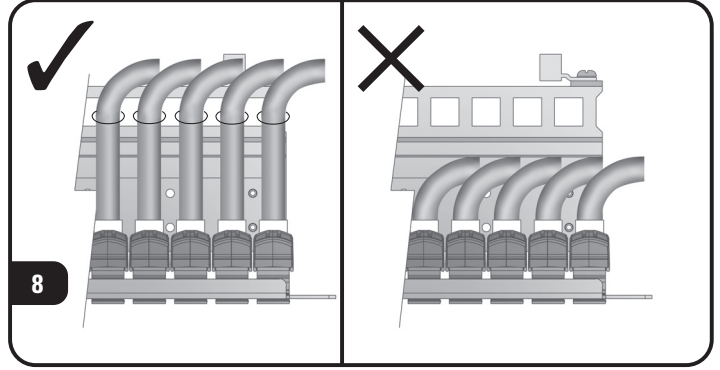
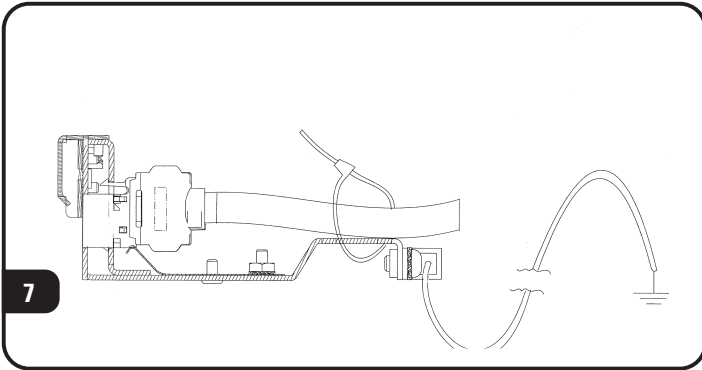
10G 6A™ F/UTP SCREENED MapIT™ PATCH PANEL

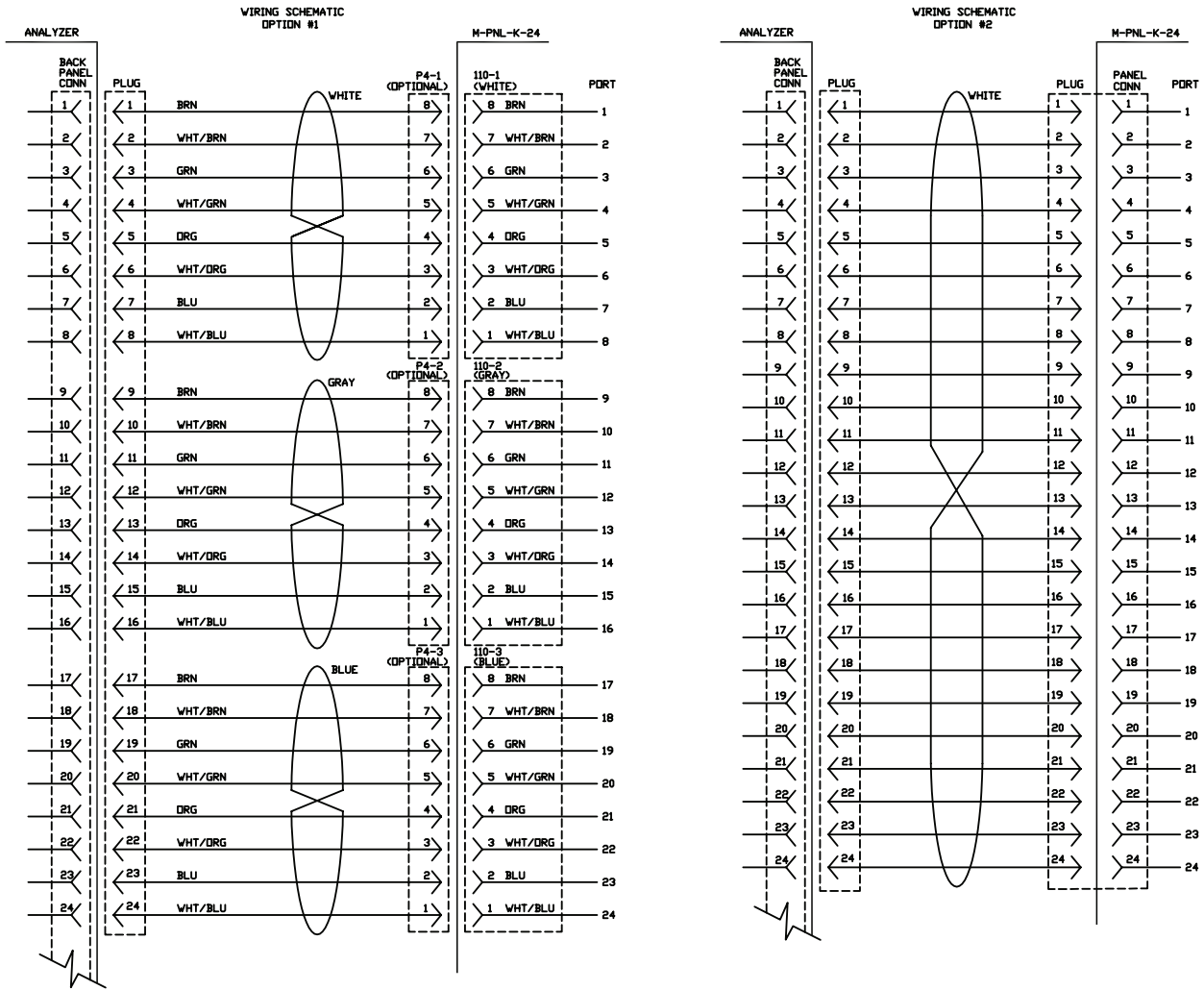


4



10G 6A™ F/UTP SCREENED MapIT™ PATCH PANEL





To assist safe installations, comply with the following:

- A. Use caution when installing or modifying telecommunications circuits.
- B. Never touch uninsulated wire terminals unless the circuit has been disconnected.
- C. Never install this device in a wet location.
- D. Never install wiring during a lightning storm.



Siemon — Australia
Sydney, Australia
Tel: (61) 2 9452 2666

Siemon — China
Beijing, P.R. China
Tel: (86) 10 6559 8860

Siemon — Germany
Frankfurt, Germany
Tel: (49) (0) 69 97168 184

Siemon — Japan
Tokyo, Japan
Tel: (03) 5437 1580

Siemon — UK
Surrey, England
Tel: (44) (0) 1932 571771

Siemon — North America
Watertown, Connecticut
Tel: (1) 866-548-5814

**Siemon — CASA
Central & South America**
Bogota, Columbia
Tel: (011) 571 317 2121

Siemon — France
Paris, France
Tel: (33) 1 46 46 11 85

Siemon — Italy
Milano, Italy
Tel: (39) 02 64 672 209

Siemon — Southeast Asia
Singapore
Tel: (65) 345 9119

